

Berker Business Solutions Catalogue

Mobile Living
Interior

**Your reliable
partner for
intelligent
solutions.**

There's plenty to do. Let's get started.

**The time for
renovated electrical
installations and
intelligent solutions
is now.**



Dear friends and partners,

We all value experience. Routine helps us to be fast and reliable, which can save us time, money and hard work. Yet there are also moments when we need to leave the familiar behind and take advantage of golden opportunities just waiting to be discovered and seized.

This is one of those moments.

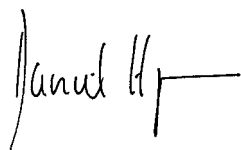
Renewable energy sources and innovative building technologies are creating opportunities to make more intelligent and energy-efficient homes. And with our Ambient Assisted Living (AAL) solutions, we will be able to help older people and those who require special care to live safely and independently in the future.

The latest studies indicate that many properties will first have to be adapted to accommodate the solar power systems, energy storage units and intelligent building controls that characterise smart homes. This work requires specialists. There's plenty to do. Let's get started.

We at Hager Group will support you with the very best products, solutions and services. And we are constantly evolving and improving: we have more than 800 team members working on better products and innovative technologies to make your work easier and your customers' lives more comfortable. At the same time, we are increasing our focus on services so that we can provide you and your customers with expert support.

When it comes to change, we practise what we preach. And we rely on expert partners like you to help us set the trends for the future. This future is starting right now, and I'm looking forward to shaping it with you.

Yours sincerely,

A handwritten signature in black ink, appearing to read 'Daniel Hager', with a horizontal line extending to the right.

Daniel Hager
Hager Group CEO

Under one roof

Members of Hager Group

:hager

B.
Berker

ELCOM.

DAITEM


diagral

EFEN 

B **BOCCHIOTTI**

One family

The world is changing, and we are changing with it. As a family company, we have grown steadily over the last sixty years to become a reliable partner to expert technicians and electrical wholesalers around the world. All while remaining true to ourselves and to our values. And so we continue today, with a number of well-known brands – each with their own distinctive strengths – working together under the Hager Group umbrella.



Hager Forum in Obernai, France, is a place where we can work with customers and partners to shape the future. That makes it a perfect symbol of the innovative power of Hager Group.

hagergroup

Your trust

As a partner and customer, you can choose from the entire range of products and services offered by every member of our brand family. Our new corporate image highlights our shared strengths even more clearly. From now on, each of our brands will be easily recognisable as a 'Member of Hager Group'. The new corporate image also involves some colour and design changes. Our core promise remains the same: we will always work with you to succeed together.

Our strengths

We have huge opportunities ahead. The upcoming modernisation of existing buildings, intelligent building technology, digital services, new energy sources and technologies – all of this opens up new, exciting potential for you and for us. At the same time, business requirements are becoming more and more complex. That's why it's so important for you to have Hager Group specialists supporting you with all of their expertise. Together, we are stronger. Together, we will overcome the complex challenges of our time with simple, impressive solutions – just as we have been doing for the last six decades.

E3

Global warming, a shortage of natural resources, social cohesion and the transition to renewable energy: there are many challenges facing businesses and society today. Hager Group is pursuing a variety of initiatives to promote sustainable development with its “E3” approach.

Environ

E for Environment

We work continuously to reduce our carbon footprint. Our priorities include optimising the transport of our products and cutting the amount of energy we use in production to further reduce our Carbon footprint.



Ethics

E for Ethics

We need skilled, motivated and healthy employees in order to offer our customers the best services and products. That's why we provide all our team members with a safe, healthy working environment, support their professional growth and offer them opportunities for further development. We also promote diversity and adherence to an Ethics Code throughout the company.

ment

Energy

E for Energy

Hager Group helps its customers to save energy intelligently. We also analyse and optimise our products' environmental performance throughout development and production. By providing a detailed environmental profile for most of our products, we can be fully transparent with our customers and ourselves.

Ideas, perfection, a passion for excellent design and ideal solutions Berker Business Solutions

With Berker Business Solutions we are underlining our leading role in the field of electrical installations as a reliable partner to manufacturing companies in many different sectors of industry. We engage in intensive dialogue with our customers to develop innovative, safe and long-lasting solutions which will offer them added value.

For our customers, it is the design and functionality of the Berker Integro products that really matter – a switch system for the most rigorous requirements: modern design variants, rapid mounting, integration of modern communications systems. In addition the attractive fashionable colours and surfaces offer scope for flexible interior design.

Individual customer desires relative to colours, imprints, and materials can be implemented





Mobile Living

As easy as feeling at home. End users want to feel at home their motor homes, caravans or boats. Their Mobile Living customers include many manufacturers from the leisure vehicle and the yacht industry as well as producers of ambulances and special purpose vehicles.

Interior

For many years, we have been working on making the spaces in which we live and work more comfortable and more personal. Our wide customer spectrum includes traditional furniture manufacturers, lighting manufacturers, kitchen and bathroom furniture manufacturers as well as companies working in medical and laboratory environments. We also count among our customers companies from the supplier industry that design functional parts for various interior furnishings.

Modular product concept and available in three different modern design variants: Design Flow, Design Classic and Design Pure

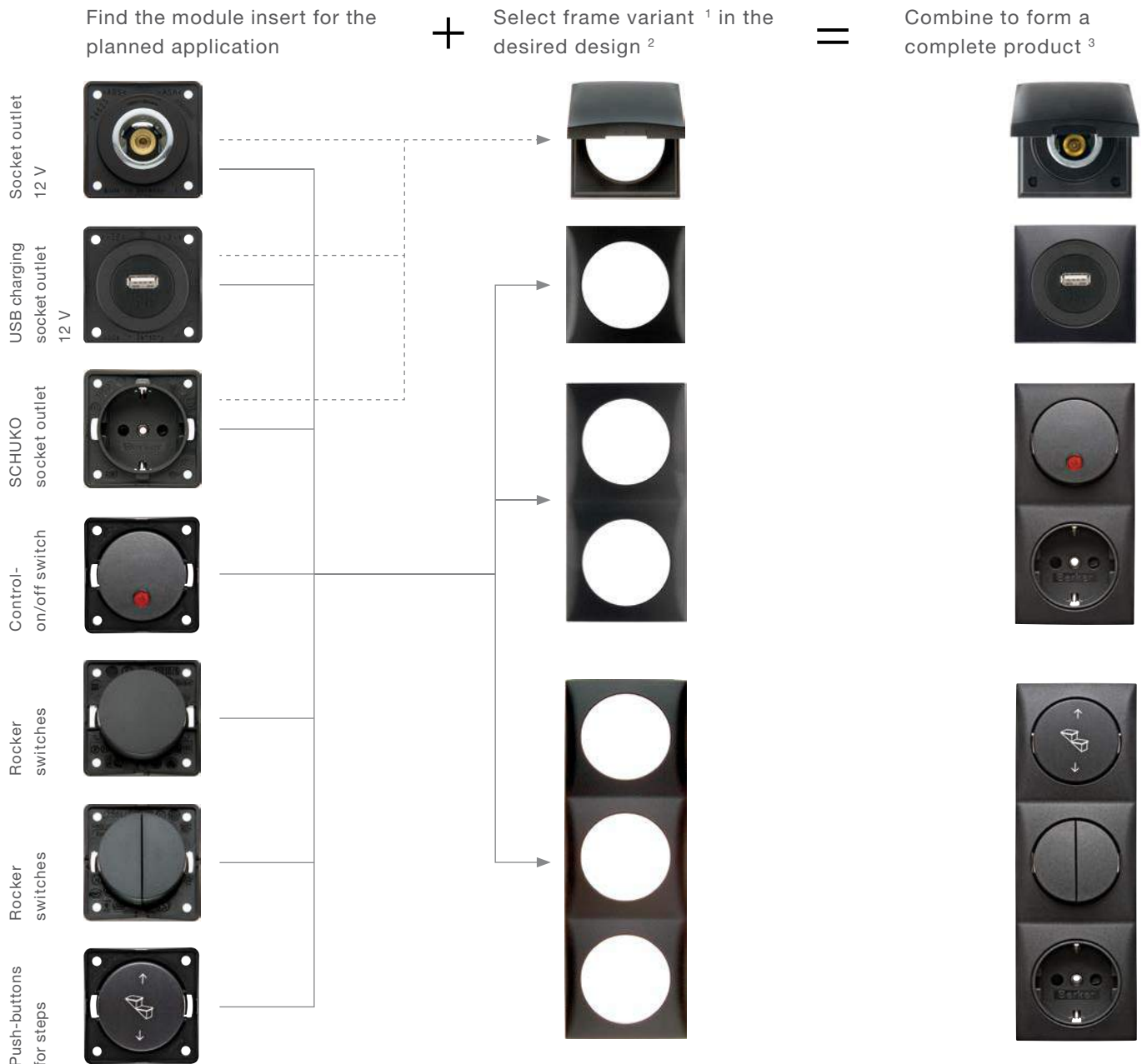
Berker Integro – the right solutions for your requirements



The Berker Integro switch system continues Berker's tradition of a modular product concept. In this regard the module inserts of Berker Integro have already been complemented with the matching functional cover, such as e.g. rocker, setting knob and centre plate. Thus all that remains is to combine a module insert with the frame in the appropriate colour, required execution variant, and with the desired design Flow, Classic or Pure. The complete product is ready.

In addition Berker Integro is convincing with its product depth that satisfies any requirement.

From the simple connection of TV/audio technology to the switching of light fixtures and the international standardization of the connector systems - with Berker Integro you will find the right solution for your requirement.



Additional basic variants - module inserts:


- TV-/Audio and international socket outlets
- Rocker push-button, blind push-button

¹frame 1gang to 3gang suitable for vertical or horizontal mounting

²Here shown in the Design Flow design

³Complete products and multiple combinations are shown as examples only

The product depth, as well as the function and country variants of Berker Integro are perfectly supplemented by a variety of colour and surface versions. In the overview below the standard colour variants in the high-quality surface structures of the three Integro design lines are presented. Additional colour and surface variants are possible on request.

Colour variant	Surface condition	similar to RAL hue	Berker Integro Design Flow	Berker Integro Design Classic	Berker Integro Design Pure
brown	matt	RAL 8017			
anthracite	matt	RAL 7021			
grey	glossy	RAL 7038			
polar white	glossy	RAL 9010			
black	matt	RAL 9011			
black	glossy	RAL 9005			
granite black	silk matt, lacquered	RAL 7026			
chrome	matt, lacquered	RAL 9006			
chrome	glossy, galvanised	RAL 9023			
chrome	matt, galvanised	RAL 9006			
stainless steel	lacquered	RAL 9022			
gold	glossy, galvanised				
Socket outlets					
red	glossy	RAL 3003			
green	glossy	RAL 6032			
orange	glossy	RAL 2008			

Our terms of sale, delivery and payment apply exclusively.

Although our publications are intended to provide information to the best of our knowledge, they shall not be construed as being legally binding. Illustrations are not binding, especially with regard to colour, size and equipment of the products shown.

Industrial property rights exist for many of the products.

We reserve the right to make technical and formal changes to our products in the interest of technical progress.

All items in this catalogue which are subject to CE regulations bear the CE mark on their packaging.

A.1

Page

01	Berker Integro - Module inserts	18
02	Berker Integro - Design Flow	68
03	Berker Integro - Design Classic	82
04	Berker Integro - Design Pure	94
05	Berker - Design Twin	102
06	Berker Twin-Box	112

A.2

Page

07	Berker Integro Box	130
08	Berker built-in socket outlets	138
09	Berker medical and laboratory technology	154
10	Berker Solutions	182
11	Berker inductive charging station	194
12	Technical information	208

01 Berker Integro
Module inserts



18

02 Berker Integro
Design Flow



68

03 Berker Integro
Design Classic



82

04 Berker Integro
Design Pure



94

05 Berker
Design Twin



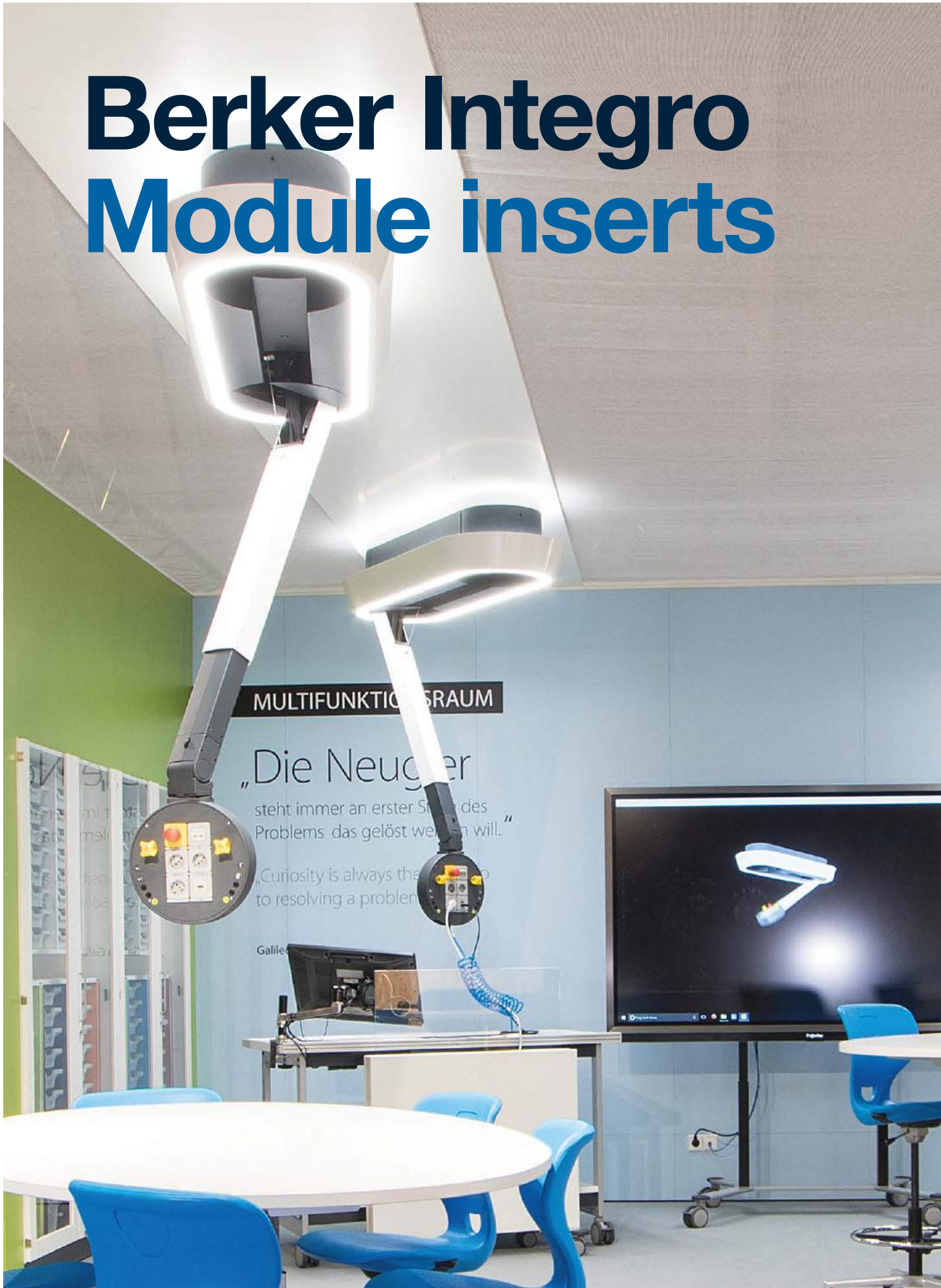
102

06 Berker
Twin-Box



112

Berker Integro Module inserts



MULTIFUNKTIONSBRAUM

„Die Neugier
steht immer an erster Stelle des
Problems, das gelöst werden will.“

„Curiosity is always the key to
resolving a problem.“

Galileo



Berker Integro Module inserts


Tiny – but virtually indispensable. The round function elements of the module inserts give every unit its unmistakable character. With their minimal dimensions and shallow installation depths, they are extremely versatile. The incredible depth of the product range means you have an excellent variety of functions available, and thus the optimal solution in each case.



01

Page

SCHUKO socket outlets	22
SCHUKO socket outlets with "SNAP IN"	29
Socket outlets with earthing contact	38
Socket outlets with earthing pin	41
Socket outlets without earthing contact	44
Connecting devices 12 V	45
USB charging sockets	47
TV/multimedia	48
Rocker switch	54
Rocker push-button	58
Blind push-button	60
Reverse polarity push-button	60
Appliance switch	62
1 - 10 V control units	62
Accessories	63


 Marked items are suitable for splash-protected IP44 installation when used in conjunction with the corresponding sealing set.


SCHUKO socket outlets

- for 4-hole screw fitting


SCHUKO socket outlets with plug-in terminals

- thermoplastic centre plates and bases
- contacts made of copper alloy

 Marked items are only suitable for splash-protected IP44 flush-mounted installation when used in conjunction with sealing (order no. 9 1853), frame with hinged cover and imprint "IP44" and contact protection box.

	SCHUKO socket outlet	210		
	<ul style="list-style-type: none"> - plug-in terminals 	<p>Suitable for</p> <ul style="list-style-type: none"> Contact protection box Ø 45 mm Contact protection box Ø 49 mm Contact protection box 2gang Contact protection box 3gang <p>Optional</p> <ul style="list-style-type: none"> Sealing for IP44 applications Frame with hinged cover and imprint "IP44" 	<p>Order no.</p> <ul style="list-style-type: none"> 9 1820 .. 9 188 .. 9 191 .. 9 1933 9 1853 8 1828 .. 	<p>Page</p> <ul style="list-style-type: none"> 63 63 63 64 78 77
	<p>Rated voltage</p> <p>Rated current</p>	<p>250 V~</p> <p>16 A</p>		
	<p>Earth bracket clamping forces according to TNO requirements.</p> <p>Standard NEN 1010</p> <p>Connection terminals according to IEC 60884-1</p>			
	<p>Design</p> <p>brown matt</p> <p>anthracite matt</p> <p>grey matt</p> <p>polar white matt</p>	<p>Order no.</p> <p>8 4778 25 01</p> <p>8 4778 25 05</p> <p>8 4778 25 06</p> <p>8 4778 25 02</p>	<p>PU</p> <p>200</p> <p>200</p> <p>200</p> <p>200</p>	
	<p>brown matt</p> <p>anthracite matt</p> <p>grey matt</p> <p>polar white matt</p> <p>black matt</p>	<p>9 4778 25 01</p> <p>9 4778 25 05</p> <p>9 4778 25 06</p> <p>9 4778 25 02</p> <p>9 4778 25 03</p>	<p>10</p> <p>10</p> <p>10</p> <p>10</p> <p>10</p>	






	SCHUKO socket outlet	210		
	<ul style="list-style-type: none"> - enhanced contact protection - plug-in terminals 	<p>Suitable for</p> <ul style="list-style-type: none"> Contact protection box Ø 45 mm Contact protection box Ø 49 mm Contact protection box 2gang Contact protection box 3gang <p>Optional</p> <ul style="list-style-type: none"> Sealing for IP44 applications Frame with hinged cover and imprint "IP44" 	<p>Order no.</p> <ul style="list-style-type: none"> 9 1820 .. 9 188 .. 9 191 .. 9 1933 9 1853 8 1828 .. 	<p>Page</p> <ul style="list-style-type: none"> 63 63 63 64 78 77
	<p>Rated voltage</p> <p>Rated current</p>	<p>250 V~</p> <p>16 A</p>		
	<p>Earth bracket clamping forces according to TNO requirements.</p> <p>Standard NEN 1010</p> <p>Connection terminals according to IEC 60884-1</p> <p>Enhanced contact protection (child protection) according to IEC 60884-1</p>			
	<p>Design</p> <p>brown matt</p> <p>anthracite matt</p> <p>grey matt</p> <p>polar white matt</p>	<p>Order no.</p> <p>8 4779 25 01</p> <p>8 4779 25 05</p> <p>8 4779 25 06</p> <p>8 4779 25 02</p>	<p>PU</p> <p>200</p> <p>200</p> <p>200</p> <p>200</p>	
	<p>brown matt</p> <p>anthracite matt</p> <p>grey matt</p> <p>polar white matt</p> <p>black matt</p>	<p>9 4779 25 01</p> <p>9 4779 25 05</p> <p>9 4779 25 06</p> <p>9 4779 25 02</p> <p>9 4779 25 03</p>	<p>10</p> <p>10</p> <p>10</p> <p>10</p> <p>10</p>	






SCHUKO socket outlets with screw terminals

- thermoplastic centre plates
- duroplast base
- contacts made of copper alloy



 Marked items are only suitable for splash-protected IP44 flush-mounted installation when used in conjunction with sealing (order no. 9 1853), frame with hinged cover and imprint "IP44" and contact protection box.

	SCHUKO socket outlet		▶ 210
	- screw terminals		
			
	Rated voltage	250 V~	
	Rated current	16 A	
	Connection terminals according to IEC 60884-1		
	Design	Order no.	PU
	brown matt	8 4185 25 01	200
	anthracite matt	8 4185 25 05	200
	grey matt	8 4185 25 06	200
polar white matt	8 4185 25 02	200	
black matt	8 4185 05	200	
	9 4185 25 01	10	
	9 4185 25 05	10	
	9 4185 25 06	10	
	9 4185 25 02	10	
	9 4185 05	10	




	SCHUKO socket outlet		▶ 210
	- enhanced contact protection		
	- screw terminals		
	 		
	Rated voltage	250 V~	
	Rated current	16 A	
	Connection terminals according to IEC 60884-1		
	Enhanced contact protection (child protection) according to IEC 60884-1		
	Design	Order no.	PU
	brown matt	8 4195 25 01	200
anthracite matt	8 4195 25 05	200	
grey matt	8 4195 25 06	200	
polar white matt	8 4195 25 02	200	
black matt	8 4195 05	200	
	9 4195 25 01	10	
	9 4195 25 05	10	
	9 4195 25 06	10	
	9 4195 25 02	10	
	9 4195 05	10	





	<p>SCHUKO socket outlet 45°</p> <p>- screw terminals</p> <p></p> <p>Rated voltage 250 V~</p> <p>Rated current 16 A</p> <p>Connection terminals according to IEC 60884-1</p>	<p>- for diagonal installation</p> <p>Suitable for</p> <p>Contact protection box Ø 49 mm 9 188 .. 63</p> <p>Contact protection box 2gang 9 191 .. 63</p> <p>Contact protection box 3gang 9 1933 64</p> <p>Contact protection box Ø 58 mm for terminal attachment 8 1837 .. 64</p> <p>Optional</p> <p>Sealing for IP44 applications 9 1853 78</p> <p>Frame with hinged cover and imprint "IP44" 8 1828 .. 77</p>	<p>▶ 210</p>
	<p>Design Order no. PU</p> <p>brown matt 8 4185 25 21 200</p> <p>anthracite matt 8 4185 25 25 200</p> <p>grey matt 8 4185 25 26 200</p> <p>polar white matt 8 4185 25 22 200</p> <p>black matt 8 4185 25 200</p>	<p>black matt 9 4185 25 10</p>	

SCHUKO socket outlets with insulation-piercing terminals

- New: Insulation-piercing terminals (IPT) for quick and easy connection with the joining tool, order no. 8 1726 25 81
- VDE approval
- Up to 2 flexible conductors with a cross section of 2.5 mm² can be connected for each IPT contact; wires do not have to be stripped in advance.
- Enables multiple socket outlets to be looped through without breaking the conductors.
- IPT contacts made from copper alloy, tin-plated
- thermoplastic centre plates and bases
- Base with snap-on safety cap

 Marked items are only suitable for splash-protected IP44 flush-mounted installation when used in conjunction with sealing (order no. 9 1853 01) and frame with hinged cover and imprint "IP44".

<p>New</p> 	<p>SCHUKO socket outlet</p> <p>- insulation-piercing terminals</p> <p></p> <p>Rated voltage 250 V~</p> <p>Rated current 16 A</p> <p>Conductor cross-section (flexible) 2.5 mm²</p> <p>Earth bracket clamping forces according to TNO requirements.</p> <p>Not suitable for contact protection boxes (cavity walls).</p> <p>Connection terminals according to IEC 60884-1</p>	<p>Suitable for</p> <p>Optional</p> <p>Sealing IP44 for socket outlets with insulation displacement contacts 9 1853 01 79</p> <p>Frame with hinged cover and imprint "IP44" 8 1828 .. 77</p>	<p>▶ 212</p>
	<p>Design Order no. PU</p> <p>anthracite matt ★ 8 4800 25 05 200</p> <p>grey matt ★ 8 4800 25 06 200</p> <p>polar white matt ★ 8 4800 25 02 200</p> <p>black matt ★ 8 4800 25 08 200</p> <p>red matt ★ 8 4800 25 07 200</p> <p>green matt ★ 8 4800 25 03 200</p> <p>orange matt ★ 8 4800 25 04 200</p>		

New 

SCHUKO socket outlet

 212



- enhanced contact protection
- insulation-piercing terminals



Rated voltage	250 V~
Rated current	16 A
Conductor cross-section (flexible)	2.5 mm ²

Earth bracket clamping forces according to TNO requirements.

Not suitable for contact protection boxes (cavity walls).

Connection terminals according to IEC 60884-1

Enhanced contact protection (child protection) according to IEC 60884-1

**Suitable for
Optional**

Sealing IP44 for socket outlets with insulation displacement contacts	9 1853 01	79
Frame with hinged cover and imprint "IP44"	8 1828 ..	77

Order no.

Page

Design	Order no.	PU
anthracite matt	★ 8 4801 25 05	200
grey matt	★ 8 4801 25 06	200
polar white matt	★ 8 4801 25 02	200
black matt	★ 8 4801 25 08	200
red matt	★ 8 4801 25 07	200
green matt	★ 8 4801 25 03	200
orange matt	★ 8 4801 25 04	200



New 

SCHUKO socket outlet with control LED

 212



- insulation-piercing terminals



Rated voltage	250 V~
Rated current	16 A
LED current	1 mA
Conductor cross-section (flexible)	2.5 mm ²

Earth bracket clamping forces according to TNO requirements.

Not suitable for contact protection boxes (cavity walls).

Connection terminals according to IEC 60884-1

- with green control LED as function light

**Suitable for
Optional**

Frame with hinged cover and imprint "IP44"		upon request
Sealing IP44 for socket outlets with insulation displacement contacts	9 1853 01	79

Order no.

Page

Design	Order no.	PU
anthracite matt	★ 8 4800 25 15	200
grey matt	★ 8 4800 25 16	200
polar white matt	★ 8 4800 25 12	200
black matt	★ 8 4800 25 18	200
red matt	★ 8 4800 25 17	200
green matt	★ 8 4800 25 13	200
orange matt	★ 8 4800 25 14	200



New  **SCHUKO socket outlet with control LED** ▶ 212



- enhanced contact protection
- insulation-piercing terminals



Rated voltage	250 V~
Rated current	16 A
LED current	1 mA
Conductor cross-section (flexible)	2.5 mm ²

Earth bracket clamping forces according to TNO requirements.

Not suitable for contact protection boxes (cavity walls).

Connection terminals according to IEC 60884-1

Enhanced contact protection (child protection) according to IEC 60884-1

- with green control LED as function light

Suitable for
Optional

Frame with hinged cover and imprint "IP44"
Sealing IP44 for socket outlets with insulation displacement contacts

Order no.

Page

upon request
79

Design	Order no.	PU
anthracite matt	★ 8 4801 25 15	200
grey matt	★ 8 4801 25 16	200
polar white matt	★ 8 4801 25 12	200
black matt	★ 8 4801 25 18	200
red matt	★ 8 4801 25 17	200
green matt	★ 8 4801 25 13	200
orange matt	★ 8 4801 25 14	200



New  **SCHUKO socket outlet 45°** ▶ 212



- insulation-piercing terminals



Rated voltage	250 V~
Rated current	16 A
Conductor cross-section (flexible)	2.5 mm ²

Earth bracket clamping forces according to TNO requirements.

Not suitable for contact protection boxes (cavity walls).

Connection terminals according to IEC 60884-1

- for diagonal installation

Suitable for
Optional

Sealing IP44 for socket outlets with insulation displacement contacts
Frame with hinged cover and imprint "IP44"

Order no.

Page

9 1853 01
8 1828 ..

79
77

Design	Order no.	PU
anthracite matt	★ 8 4850 25 05	200
grey matt	★ 8 4850 25 06	200
polar white matt	★ 8 4850 25 02	200
black matt	★ 8 4850 25 08	200
red matt	★ 8 4850 25 07	200
green matt	★ 8 4850 25 03	200
orange matt	★ 8 4850 25 04	200





SCHUKO socket outlet 45°

▶ 212

- enhanced contact protection
- insulation-piercing terminals



Rated voltage	250 V~
Rated current	16 A
Conductor cross-section (flexible)	2.5 mm ²

Earth bracket clamping forces according to TNO requirements.

Not suitable for contact protection boxes (cavity walls).

Connection terminals according to IEC 60884-1

Enhanced contact protection (child protection) according to IEC 60884-1

- for diagonal installation

Suitable for	Order no.	Page
Optional		
Sealing IP44 for socket outlets with insulation displacement contacts	9 1853 01	79
Frame with hinged cover and imprint "IP44"	8 1828 ..	77

Design	Order no.	PU
anthracite matt	★ 8 4851 25 05	200
grey matt	★ 8 4851 25 06	200
polar white matt	★ 8 4851 25 02	200
black matt	★ 8 4851 25 08	200
red matt	★ 8 4851 25 07	200
green matt	★ 8 4851 25 03	200
orange matt	★ 8 4851 25 04	200



SCHUKO socket outlet 45° with control LED

▶ 212

- insulation-piercing terminals



Rated voltage	250 V~
Rated current	16 A
LED current	1 mA
Conductor cross-section (flexible)	2.5 mm ²

Earth bracket clamping forces according to TNO requirements.

Not suitable for contact protection boxes (cavity walls).


Connection terminals according to IEC 60884-1

- with green control LED as function light
- for diagonal installation

Suitable for	Order no.	Page
Optional		
Frame with hinged cover and imprint "IP44"		upon request
Sealing IP44 for socket outlets with insulation displacement contacts	9 1853 01	79

Design	Order no.	PU
anthracite matt	★ 8 4850 25 15	200
grey matt	★ 8 4850 25 16	200
polar white matt	★ 8 4850 25 12	200
black matt	★ 8 4850 25 18	200
red matt	★ 8 4850 25 17	200
green matt	★ 8 4850 25 13	200
orange matt	★ 8 4850 25 14	200



New  **SCHUKO socket outlet 45° with control LED** ▶ 212



- enhanced contact protection
- insulation-piercing terminals



Rated voltage	250 V~
Rated current	16 A
LED current	1 mA
Conductor cross-section (flexible)	2.5 mm ²

Earth bracket clamping forces according to TNO requirements.

Not suitable for contact protection boxes (cavity walls).

Connection terminals according to IEC 60884-1

Enhanced contact protection (child protection) according to IEC 60884-1

- with green control LED as function light
- for diagonal installation

**Suitable for
Optional**

Frame with hinged cover and imprint "IP44"
Sealing IP44 for socket outlets with insulation displacement contacts

Order no.

Page

upon request

79

Design	Order no.	PU
anthracite matt	★ 8 4851 25 15	200
grey matt	★ 8 4851 25 16	200
polar white matt	★ 8 4851 25 12	200
black matt	★ 8 4851 25 18	200
red matt	★ 8 4851 25 17	200
green matt	★ 8 4851 25 13	200
orange matt	★ 8 4851 25 14	200



New **Joining tool for Berker Integro socket outlets with IPT technology** ▶ 212




Design	Order no.	PU
blue matt	★ 8 1726 25 81	200
blue matt	★ 9 1726 25 81	10

SCHUKO socket outlets with "SNAP IN"

- for catch fixing

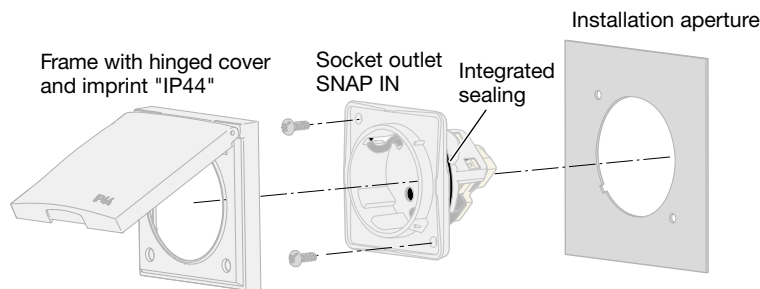
SCHUKO socket outlets with "SNAP IN" and plug-in terminals

- thermoplastic centre plates and bases
- contacts made of copper alloy

 Marked items are only suitable for splash-protected IP44 flush-mounted installation when used in conjunction with corresponding frame with hinged cover and imprint "IP44".

Assembly instructions for IP44 socket outlets with SNAP IN and plug-in terminals

Not suitable for contact protection boxes!



Attention!
Only upon compliance with the assembly instructions the degree of protection IP44 is guaranteed.

 **SCHUKO socket outlet 45°, SNAP IN**



- plug-in terminals



Rated voltage 250 V~
Rated current 16 A

Earth bracket clamping forces according to TNO requirements.

Not suitable for contact protection boxes (cavity walls).

Standard NEN 1010

Connection terminals according to IEC 60884-1

Design	Order no.	PU
for installation wall thickness 1 mm (± 0.1 mm)		
anthracite matt	8 4733 25 05	200
grey matt	8 4733 25 06	200
for installation wall thickness 1.8 mm (± 0.2 mm)		
grey matt	8 4787 25 06	200

- with distance sealing ring
- for diagonal installation

Suitable for	Order no.	Page
Optional Frame with hinged cover and imprint "IP44"	8 1828 ..	77

▶ 210



SCHUKO socket outlet 45°, SNAP IN

▶ 210



- enhanced contact protection
- plug-in terminals



Rated voltage 250 V~
Rated current 16 A

Earth bracket clamping forces according to TNO requirements.

Not suitable for contact protection boxes (cavity walls).

Standard NEN 1010

Connection terminals according to IEC 60884-1

Enhanced contact protection (child protection) according to IEC 60884-1

- with distance sealing ring
- for diagonal installation

Suitable for Optional	Order no.	Page
Frame with hinged cover and imprint "IP44"	8 1828 ..	77

Design	Order no.	PU
for installation wall thickness 1.8 mm (± 0.2 mm)		
grey matt	8 4788 25 06	200
for installation wall thickness 2.8 mm (± 0.2 mm)		
grey matt	8 4731 25 06	200



SCHUKO socket outlet 45° with control LED, SNAP IN

▶ 210



- enhanced contact protection
- plug-in terminals



Operating voltage 250 V~
Rated current 16 A
LED current 1 mA
Installation wall thickness 2 mm

Earth bracket clamping forces according to TNO requirements.

Not suitable for contact protection boxes (cavity walls).

Standard NEN 1010

Connection terminals according to IEC 60884-1

Enhanced contact protection (child protection) according to IEC 60884-1

- with green control LED as function light
- with distance sealing ring
- for diagonal installation


Suitable for Optional	Order no.	Page
Frame with hinged cover and imprint "IP44"		upon request

Design	Order no.	PU
for installation wall thickness 2 mm (± 0.2 mm)		
anthracite matt	9 4713 25 05	200
grey matt	9 4713 25 06	200
polar white matt	9 4713 25 02	200
red matt	9 4713 25 76	200
green matt	9 4713 25 03	200
orange matt	9 4713 25 04	200



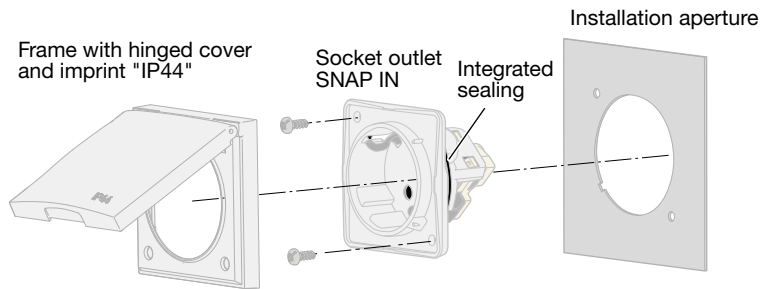
SCHUKO socket outlets with "SNAP IN" and screw terminals

- thermoplastic centre plates
- duroplast base
- contacts made of copper alloy

 Marked items are only suitable for splash-protected IP44 flush-mounted installation when used in conjunction with corresponding frame with hinged cover and imprint "IP44".

Assembly instructions for IP44 socket outlets with SNAP IN and screw terminals

Not suitable for contact protection boxes!



Attention!
Only upon compliance with the assembly instructions the degree of protection IP44 is guaranteed.

 **SCHUKO socket outlet 45°, SNAP IN**



- screw terminals



Rated voltage 250 V~
Rated current 16 A

Not suitable for contact protection boxes (cavity walls).
Connection terminals according to IEC 60884-1

Design	Order no.	PU
for installation wall thickness 1 mm (± 0.1 mm)		
grey matt	8 4104 25 06	200



▶ 210

- with distance sealing ring
- for diagonal installation

Suitable for Optional	Order no.	Page
Frame with hinged cover and imprint "IP44"	8 1828 ..	77

 **SCHUKO socket outlet 45°, SNAP IN**



- enhanced contact protection
- screw terminals



Rated voltage 250 V~
Rated current 16 A

Not suitable for contact protection boxes (cavity walls).
Connection terminals according to IEC 60884-1
Enhanced contact protection (child protection) according to IEC 60884-1

Design	Order no.	PU
for installation wall thickness 1.8 mm (± 0.2 mm)		
grey matt	8 4140 25 06	200




▶ 210

- with distance sealing ring
- for diagonal installation

Suitable for Optional	Order no.	Page
Frame with hinged cover and imprint "IP44"	8 1828 ..	77

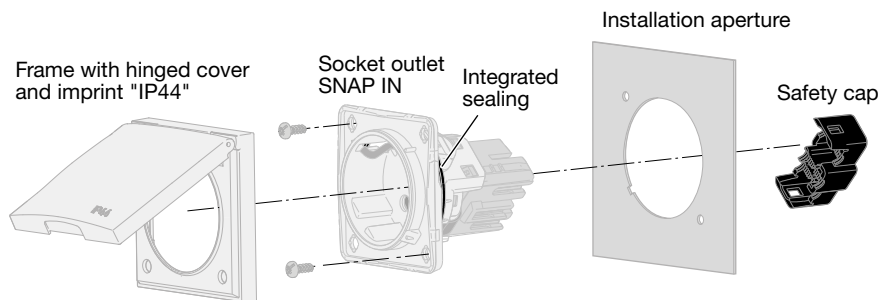
SCHUKO socket outlets with "SNAP IN" and insulation-piercing terminals

- New: Insulation-piercing terminals (IPT) for quick and easy connection with the joining tool, order no. 8 1726 25 81
- VDE approval
- Up to 2 flexible conductors with a cross section of 2.5 mm² can be connected for each IPT contact; wires do not have to be stripped in advance.
- Enables multiple socket outlets to be looped through without breaking the conductors.
- IPT contacts made from copper alloy, tin-plated
- thermoplastic centre plates and bases
- Base with snap-on safety cap





 Marked items are only suitable for splash-protected IP44 flush-mounted installation when used in conjunction with corresponding frame with hinged cover and imprint "IP44".

Assembly instructions for IP44 socket outlets with SNAP IN and insulation-piercing terminals

Not suitable for contact protection boxes!



Attention!
Only upon compliance with the assembly instructions the degree of protection IP44 is guaranteed.

<p>New </p> 	<p>SCHUKO socket outlet, SNAP IN</p> <ul style="list-style-type: none"> - insulation-piercing terminals <p></p> <p>Rated voltage 250 V~ Rated current 16 A Conductor cross-section (flexible) 2.5 mm²</p> <p>Earth bracket clamping forces according to TNO requirements. Not suitable for contact protection boxes (cavity walls). Connection terminals according to IEC 60884-1</p>	<p>- with distance sealing ring</p> <p>Suitable for Optional Frame with hinged cover and imprint "IP44"</p> <p>Order no. 8 1828 ..</p> <p>Page 77</p>	<p>▶ 212</p>																																																		
<p></p>	<table border="0"> <thead> <tr> <th>Design</th> <th>Order no.</th> <th>PU</th> </tr> </thead> <tbody> <tr> <td colspan="3">for installation wall thickness 1 mm (± 0.1 mm)</td> </tr> <tr> <td>anthracite matt</td> <td>★ 8 4810 25 05</td> <td>200</td> </tr> <tr> <td>grey matt</td> <td>★ 8 4810 25 06</td> <td>200</td> </tr> <tr> <td>polar white matt</td> <td>★ 8 4810 25 02</td> <td>200</td> </tr> <tr> <td>black matt</td> <td>★ 8 4810 25 08</td> <td>200</td> </tr> <tr> <td>red matt</td> <td>★ 8 4810 25 07</td> <td>200</td> </tr> <tr> <td>green matt</td> <td>★ 8 4810 25 03</td> <td>200</td> </tr> <tr> <td>orange matt</td> <td>★ 8 4810 25 04</td> <td>200</td> </tr> <tr> <td colspan="3">for installation wall thickness 2 mm (+0.1/-0.3 mm)</td> </tr> <tr> <td>anthracite matt</td> <td>★ 8 4820 25 05</td> <td>200</td> </tr> <tr> <td>grey matt</td> <td>★ 8 4820 25 06</td> <td>200</td> </tr> <tr> <td>polar white matt</td> <td>★ 8 4820 25 02</td> <td>200</td> </tr> <tr> <td>black matt</td> <td>★ 8 4820 25 08</td> <td>200</td> </tr> <tr> <td>red matt</td> <td>★ 8 4820 25 07</td> <td>200</td> </tr> <tr> <td>green matt</td> <td>★ 8 4820 25 03</td> <td>200</td> </tr> <tr> <td>orange matt</td> <td>★ 8 4820 25 04</td> <td>200</td> </tr> </tbody> </table>	Design	Order no.	PU	for installation wall thickness 1 mm (± 0.1 mm)			anthracite matt	★ 8 4810 25 05	200	grey matt	★ 8 4810 25 06	200	polar white matt	★ 8 4810 25 02	200	black matt	★ 8 4810 25 08	200	red matt	★ 8 4810 25 07	200	green matt	★ 8 4810 25 03	200	orange matt	★ 8 4810 25 04	200	for installation wall thickness 2 mm (+0.1/-0.3 mm)			anthracite matt	★ 8 4820 25 05	200	grey matt	★ 8 4820 25 06	200	polar white matt	★ 8 4820 25 02	200	black matt	★ 8 4820 25 08	200	red matt	★ 8 4820 25 07	200	green matt	★ 8 4820 25 03	200	orange matt	★ 8 4820 25 04	200	
Design	Order no.	PU																																																			
for installation wall thickness 1 mm (± 0.1 mm)																																																					
anthracite matt	★ 8 4810 25 05	200																																																			
grey matt	★ 8 4810 25 06	200																																																			
polar white matt	★ 8 4810 25 02	200																																																			
black matt	★ 8 4810 25 08	200																																																			
red matt	★ 8 4810 25 07	200																																																			
green matt	★ 8 4810 25 03	200																																																			
orange matt	★ 8 4810 25 04	200																																																			
for installation wall thickness 2 mm (+0.1/-0.3 mm)																																																					
anthracite matt	★ 8 4820 25 05	200																																																			
grey matt	★ 8 4820 25 06	200																																																			
polar white matt	★ 8 4820 25 02	200																																																			
black matt	★ 8 4820 25 08	200																																																			
red matt	★ 8 4820 25 07	200																																																			
green matt	★ 8 4820 25 03	200																																																			
orange matt	★ 8 4820 25 04	200																																																			

Design	Order no.	PU
for installation wall thickness 3 mm (+0.1/-0.3 mm)		
anthracite matt	★ 8 4830 25 05	200
grey matt	★ 8 4830 25 06	200
polar white matt	★ 8 4830 25 02	200
black matt	★ 8 4830 25 08	200
red matt	★ 8 4830 25 07	200
green matt	★ 8 4830 25 03	200
orange matt	★ 8 4830 25 04	200



SCHUKO socket outlet, SNAP IN

- enhanced contact protection
- insulation-piercing terminals



Rated voltage 250 V~
 Rated current 16 A
 Conductor cross-section (flexible) 2.5 mm²

Earth bracket clamping forces according to TNO requirements.

Not suitable for contact protection boxes (cavity walls).

Connection terminals according to IEC 60884-1

Enhanced contact protection (child protection) according to IEC 60884-1



- with distance sealing ring

Suitable for Optional	Order no.	Page
Frame with hinged cover and imprint "IP44"	8 1828 ..	77




▶ 212

Design	Order no.	PU
for installation wall thickness 1 mm (± 0.1 mm)		
anthracite matt	★ 8 4811 25 05	200
grey matt	★ 8 4811 25 06	200
polar white matt	★ 8 4811 25 02	200
black matt	★ 8 4811 25 08	200
red matt	★ 8 4811 25 07	200
green matt	★ 8 4811 25 03	200
orange matt	★ 8 4811 25 04	200
for installation wall thickness 2 mm (+0.1/-0.3 mm)		
anthracite matt	★ 8 4821 25 05	200
grey matt	★ 8 4821 25 06	200
polar white matt	★ 8 4821 25 02	200
black matt	★ 8 4821 25 08	200
red matt	★ 8 4821 25 07	200
green matt	★ 8 4821 25 03	200
orange matt	★ 8 4821 25 04	200
for installation wall thickness 3 mm (+0.1/-0.3 mm)		
anthracite matt	★ 8 4831 25 05	200
grey matt	★ 8 4831 25 06	200
polar white matt	★ 8 4831 25 02	200
black matt	★ 8 4831 25 08	200
red matt	★ 8 4831 25 07	200
green matt	★ 8 4831 25 03	200
orange matt	★ 8 4831 25 04	200



<div style="display: flex; align-items: center;"> <div style="background-color: #333; color: white; padding: 2px 5px; font-size: 0.8em; margin-right: 5px;">New</div> <div style="margin-left: 10px;">  </div> </div>	<p>SCHUKO socket outlet with control LED, SNAP IN</p> <ul style="list-style-type: none"> - insulation-piercing terminals 	<ul style="list-style-type: none"> - with green control LED as function light - with distance sealing ring 	▶ 212																																																									
<div style="display: flex; align-items: center;">  <div style="margin-left: 10px;"> <p>Rated voltage 250 V~</p> <p>Rated current 16 A</p> <p>LED current 1 mA</p> <p>Conductor cross-section (flexible) 2.5 mm²</p> </div> </div>		<p>Suitable for</p> <p>Optional Frame with hinged cover and imprint "IP44"</p>	<p>Order no.</p> <p>upon request</p>	<p>Page</p> <p>upon request</p>																																																								
<p>Earth bracket clamping forces according to TNO requirements.</p> <p>Not suitable for contact protection boxes (cavity walls).</p> <p>Connection terminals according to IEC 60884-1</p>																																																												
<table border="0" style="width: 100%;"> <thead> <tr> <th style="text-align: left; font-weight: normal;">Design</th> <th style="text-align: left; font-weight: normal;">Order no.</th> <th style="text-align: right; font-weight: normal;">PU</th> </tr> </thead> <tbody> <tr> <td colspan="3">for installation wall thickness 1 mm (± 0.1 mm)</td> </tr> <tr> <td>anthracite matt</td> <td>★ 8 4810 25 15</td> <td style="text-align: right;">200</td> </tr> <tr> <td>polar white matt</td> <td>★ 8 4810 25 12</td> <td style="text-align: right;">200</td> </tr> <tr> <td>red matt</td> <td>★ 8 4810 25 17</td> <td style="text-align: right;">200</td> </tr> <tr> <td>green matt</td> <td>★ 8 4810 25 13</td> <td style="text-align: right;">200</td> </tr> <tr> <td>orange matt</td> <td>★ 8 4810 25 14</td> <td style="text-align: right;">200</td> </tr> <tr> <td colspan="3">for installation wall thickness 2 mm (+0.1/-0.3 mm)</td> </tr> <tr> <td>anthracite matt</td> <td>★ 8 4820 25 15</td> <td style="text-align: right;">200</td> </tr> <tr> <td>polar white matt</td> <td>★ 8 4820 25 12</td> <td style="text-align: right;">200</td> </tr> <tr> <td>red matt</td> <td>★ 8 4820 25 17</td> <td style="text-align: right;">200</td> </tr> <tr> <td>green matt</td> <td>★ 8 4820 25 13</td> <td style="text-align: right;">200</td> </tr> <tr> <td>orange matt</td> <td>★ 8 4820 25 14</td> <td style="text-align: right;">200</td> </tr> <tr> <td colspan="3">for installation wall thickness 3 mm (+0.1/-0.3 mm)</td> </tr> <tr> <td>anthracite matt</td> <td>★ 8 4830 25 15</td> <td style="text-align: right;">200</td> </tr> <tr> <td>polar white matt</td> <td>★ 8 4830 25 12</td> <td style="text-align: right;">200</td> </tr> <tr> <td>red matt</td> <td>★ 8 4830 25 17</td> <td style="text-align: right;">200</td> </tr> <tr> <td>green matt</td> <td>★ 8 4830 25 13</td> <td style="text-align: right;">200</td> </tr> <tr> <td>orange matt</td> <td>★ 8 4830 25 14</td> <td style="text-align: right;">200</td> </tr> </tbody> </table>		Design	Order no.	PU	for installation wall thickness 1 mm (± 0.1 mm)			anthracite matt	★ 8 4810 25 15	200	polar white matt	★ 8 4810 25 12	200	red matt	★ 8 4810 25 17	200	green matt	★ 8 4810 25 13	200	orange matt	★ 8 4810 25 14	200	for installation wall thickness 2 mm (+0.1/-0.3 mm)			anthracite matt	★ 8 4820 25 15	200	polar white matt	★ 8 4820 25 12	200	red matt	★ 8 4820 25 17	200	green matt	★ 8 4820 25 13	200	orange matt	★ 8 4820 25 14	200	for installation wall thickness 3 mm (+0.1/-0.3 mm)			anthracite matt	★ 8 4830 25 15	200	polar white matt	★ 8 4830 25 12	200	red matt	★ 8 4830 25 17	200	green matt	★ 8 4830 25 13	200	orange matt	★ 8 4830 25 14	200		
Design	Order no.	PU																																																										
for installation wall thickness 1 mm (± 0.1 mm)																																																												
anthracite matt	★ 8 4810 25 15	200																																																										
polar white matt	★ 8 4810 25 12	200																																																										
red matt	★ 8 4810 25 17	200																																																										
green matt	★ 8 4810 25 13	200																																																										
orange matt	★ 8 4810 25 14	200																																																										
for installation wall thickness 2 mm (+0.1/-0.3 mm)																																																												
anthracite matt	★ 8 4820 25 15	200																																																										
polar white matt	★ 8 4820 25 12	200																																																										
red matt	★ 8 4820 25 17	200																																																										
green matt	★ 8 4820 25 13	200																																																										
orange matt	★ 8 4820 25 14	200																																																										
for installation wall thickness 3 mm (+0.1/-0.3 mm)																																																												
anthracite matt	★ 8 4830 25 15	200																																																										
polar white matt	★ 8 4830 25 12	200																																																										
red matt	★ 8 4830 25 17	200																																																										
green matt	★ 8 4830 25 13	200																																																										
orange matt	★ 8 4830 25 14	200																																																										



<div style="display: flex; align-items: center;"> <div style="background-color: #333; color: white; padding: 2px 5px; font-size: 0.8em; margin-right: 5px;">New</div> <div style="margin-left: 10px;">  </div> </div>	<p>SCHUKO socket outlet with control LED, SNAP IN</p> <ul style="list-style-type: none"> - enhanced contact protection - insulation-piercing terminals 	<ul style="list-style-type: none"> - with green control LED as function light - with distance sealing ring 	▶ 212																																							
<div style="display: flex; align-items: center;">   <div style="margin-left: 10px;"> <p>Rated voltage 250 V~</p> <p>Rated current 16 A</p> <p>LED current 1 mA</p> <p>Conductor cross-section (flexible) 2.5 mm²</p> </div> </div>		<p>Suitable for</p> <p>Optional Frame with hinged cover and imprint "IP44"</p>	<p>Order no.</p> <p>upon request</p>	<p>Page</p> <p>upon request</p>																																						
<p>Earth bracket clamping forces according to TNO requirements.</p> <p>Not suitable for contact protection boxes (cavity walls).</p> <p>Connection terminals according to IEC 60884-1</p> <p>Enhanced contact protection (child protection) according to IEC 60884-1</p>																																										
<table border="0" style="width: 100%;"> <thead> <tr> <th style="text-align: left; font-weight: normal;">Design</th> <th style="text-align: left; font-weight: normal;">Order no.</th> <th style="text-align: right; font-weight: normal;">PU</th> </tr> </thead> <tbody> <tr> <td colspan="3">for installation wall thickness 1 mm (± 0.1 mm)</td> </tr> <tr> <td>anthracite matt</td> <td>★ 8 4811 25 15</td> <td style="text-align: right;">200</td> </tr> <tr> <td>polar white matt</td> <td>★ 8 4811 25 12</td> <td style="text-align: right;">200</td> </tr> <tr> <td>red matt</td> <td>★ 8 4811 25 17</td> <td style="text-align: right;">200</td> </tr> <tr> <td>green matt</td> <td>★ 8 4811 25 13</td> <td style="text-align: right;">200</td> </tr> <tr> <td>orange matt</td> <td>★ 8 4811 25 14</td> <td style="text-align: right;">200</td> </tr> <tr> <td colspan="3">for installation wall thickness 2 mm (+0.1/-0.3 mm)</td> </tr> <tr> <td>anthracite matt</td> <td>★ 8 4821 25 15</td> <td style="text-align: right;">200</td> </tr> <tr> <td>polar white matt</td> <td>★ 8 4821 25 12</td> <td style="text-align: right;">200</td> </tr> <tr> <td>red matt</td> <td>★ 8 4821 25 17</td> <td style="text-align: right;">200</td> </tr> <tr> <td>green matt</td> <td>★ 8 4821 25 13</td> <td style="text-align: right;">200</td> </tr> <tr> <td>orange matt</td> <td>★ 8 4821 25 14</td> <td style="text-align: right;">200</td> </tr> </tbody> </table>		Design	Order no.	PU	for installation wall thickness 1 mm (± 0.1 mm)			anthracite matt	★ 8 4811 25 15	200	polar white matt	★ 8 4811 25 12	200	red matt	★ 8 4811 25 17	200	green matt	★ 8 4811 25 13	200	orange matt	★ 8 4811 25 14	200	for installation wall thickness 2 mm (+0.1/-0.3 mm)			anthracite matt	★ 8 4821 25 15	200	polar white matt	★ 8 4821 25 12	200	red matt	★ 8 4821 25 17	200	green matt	★ 8 4821 25 13	200	orange matt	★ 8 4821 25 14	200		
Design	Order no.	PU																																								
for installation wall thickness 1 mm (± 0.1 mm)																																										
anthracite matt	★ 8 4811 25 15	200																																								
polar white matt	★ 8 4811 25 12	200																																								
red matt	★ 8 4811 25 17	200																																								
green matt	★ 8 4811 25 13	200																																								
orange matt	★ 8 4811 25 14	200																																								
for installation wall thickness 2 mm (+0.1/-0.3 mm)																																										
anthracite matt	★ 8 4821 25 15	200																																								
polar white matt	★ 8 4821 25 12	200																																								
red matt	★ 8 4821 25 17	200																																								
green matt	★ 8 4821 25 13	200																																								
orange matt	★ 8 4821 25 14	200																																								



Design	Order no.	PU
for installation wall thickness 3 mm (+0.1/-0.3 mm)		
anthracite matt	★ 8 4831 25 15	200
polar white matt	★ 8 4831 25 12	200
red matt	★ 8 4831 25 17	200
green matt	★ 8 4831 25 13	200
orange matt	★ 8 4831 25 14	200



SCHUKO socket outlet 45°, SNAP IN

▶ 212

- insulation-piercing terminals



- with distance sealing ring
- for diagonal installation

Rated voltage 250 V~
Rated current 16 A
Conductor cross-section (flexible) 2.5 mm²

Suitable for Optional	Order no.	Page
Frame with hinged cover and imprint "IP44"	8 1828 ..	77

Earth bracket clamping forces according to TNO requirements.

Not suitable for contact protection boxes (cavity walls).

Connection terminals according to IEC 60884-1

Design	Order no.	PU
for installation wall thickness 1 mm (± 0.1 mm)		
anthracite matt	★ 8 4860 25 05	200
grey matt	★ 8 4860 25 06	200
polar white matt	★ 8 4860 25 02	200
black matt	★ 8 4860 25 08	200
red matt	★ 8 4860 25 07	200
green matt	★ 8 4860 25 03	200
orange matt	★ 8 4860 25 04	200
for installation wall thickness 2 mm (+0.1/-0.3 mm)		
anthracite matt	★ 8 4870 25 05	200
grey matt	★ 8 4870 25 06	200
polar white matt	★ 8 4870 25 02	200
black matt	★ 8 4870 25 08	200
red matt	★ 8 4870 25 07	200
green matt	★ 8 4870 25 03	200
orange matt	★ 8 4870 25 04	200
for installation wall thickness 3 mm (+0.1/-0.3 mm)		
anthracite matt	★ 8 4880 25 05	200
grey matt	★ 8 4880 25 06	200
polar white matt	★ 8 4880 25 02	200
black matt	★ 8 4880 25 08	200
red matt	★ 8 4880 25 07	200
green matt	★ 8 4880 25 03	200
orange matt	★ 8 4880 25 04	200





SCHUKO socket outlet 45°, SNAP IN

▶ 212

- enhanced contact protection
- insulation-piercing terminals



Rated voltage	250 V~
Rated current	16 A
Conductor cross-section (flexible)	2.5 mm ²

- with distance sealing ring
- for diagonal installation

Suitable for Optional	Order no.	Page
Frame with hinged cover and imprint "IP44"	8 1828 ..	77

Earth bracket clamping forces according to TNO requirements.

Not suitable for contact protection boxes (cavity walls).

Connection terminals according to IEC 60884-1

Enhanced contact protection (child protection) according to IEC 60884-1

Design	Order no.	PU
for installation wall thickness 1 mm (± 0.1 mm)		
anthracite matt	★ 8 4861 25 05	200
grey matt	★ 8 4861 25 06	200
polar white matt	★ 8 4861 25 02	200
black matt	★ 8 4861 25 08	200
red matt	★ 8 4861 25 07	200
green matt	★ 8 4861 25 03	200
orange matt	★ 8 4861 25 04	200
for installation wall thickness 2 mm (+0.1/-0.3 mm)		
anthracite matt	★ 8 4871 25 05	200
grey matt	★ 8 4871 25 06	200
polar white matt	★ 8 4871 25 02	200
black matt	★ 8 4871 25 08	200
red matt	★ 8 4871 25 07	200
green matt	★ 8 4871 25 03	200
orange matt	★ 8 4871 25 04	200
for installation wall thickness 3 mm (+0.1/-0.3 mm)		
anthracite matt	★ 8 4881 25 05	200
grey matt	★ 8 4881 25 06	200
polar white matt	★ 8 4881 25 02	200
black matt	★ 8 4881 25 08	200
red matt	★ 8 4881 25 07	200
green matt	★ 8 4881 25 03	200
orange matt	★ 8 4881 25 04	200



SCHUKO socket outlet 45° with control LED, SNAP IN

▶ 212

- insulation-piercing terminals



Rated voltage	250 V~
Rated current	16 A
LED current	1 mA
Conductor cross-section (flexible)	2.5 mm ²

- with green control LED as function light
- with distance sealing ring
- for diagonal installation

Suitable for Optional	Order no.	Page
Frame with hinged cover and imprint "IP44"		upon request

Earth bracket clamping forces according to TNO requirements.

Not suitable for contact protection boxes (cavity walls).

Connection terminals according to IEC 60884-1

Design	Order no.	PU
for installation wall thickness 1 mm (± 0.1 mm)		
anthracite matt	★ 8 4860 25 15	200
polar white matt	★ 8 4860 25 12	200
red matt	★ 8 4860 25 17	200
green matt	★ 8 4860 25 13	200
orange matt	★ 8 4860 25 14	200



for installation wall thickness 2 mm (+0.1/-0.3 mm)

anthracite matt	★ 8 4870 25 15	200
polar white matt	★ 8 4870 25 12	200
red matt	★ 8 4870 25 17	200
green matt	★ 8 4870 25 13	200
orange matt	★ 8 4870 25 14	200

for installation wall thickness 3 mm (+0.1/-0.3 mm)

anthracite matt	★ 8 4880 25 15	200
polar white matt	★ 8 4880 25 12	200
red matt	★ 8 4880 25 17	200
green matt	★ 8 4880 25 13	200
orange matt	★ 8 4880 25 14	200



SCHUKO socket outlet 45° with control LED, SNAP IN

▶ 212

- enhanced contact protection
- insulation-piercing terminals



- with green control LED as function light
- with distance sealing ring
- for diagonal installation

Rated voltage	250 V~
Rated current	16 A
LED current	1 mA
Conductor cross-section (flexible)	2.5 mm ²

Suitable for	Order no.	Page
Optional		
Frame with hinged cover and imprint "IP44"		upon request

Earth bracket clamping forces according to TNO requirements.

Not suitable for contact protection boxes (cavity walls).

Connection terminals according to IEC 60884-1

Enhanced contact protection (child protection) according to IEC 60884-1

Design	Order no.	PU
--------	-----------	----

for installation wall thickness 1 mm (± 0.1 mm)

anthracite matt	★ 8 4861 25 15	200
polar white matt	★ 8 4861 25 12	200
red matt	★ 8 4861 25 17	200
green matt	★ 8 4861 25 13	200
orange matt	★ 8 4861 25 14	200

for installation wall thickness 2 mm (+0.1/-0.3 mm)

anthracite matt	★ 8 4871 25 15	200
polar white matt	★ 8 4871 25 12	200
red matt	★ 8 4871 25 17	200
green matt	★ 8 4871 25 13	200
orange matt	★ 8 4871 25 14	200

for installation wall thickness 3 mm (+0.1/-0.3 mm)

anthracite matt	★ 8 4881 25 15	200
polar white matt	★ 8 4881 25 12	200
red matt	★ 8 4881 25 17	200
green matt	★ 8 4881 25 13	200
orange matt	★ 8 4881 25 14	200



Socket outlets with earthing contact

NEMA-socket outlets



Socket outlet with earthing contact USA/CANADA NEMA 5-15 R

▶ 210

- screw terminals

- 2pole + earth



Suitable for

Contact protection box Ø 45 mm
Contact protection box Ø 49 mm
Contact protection box 2gang
Contact protection box 3gang

Order no.

9 1820 ..
9 188 ..
9 191 ..
9 1933

Page

63
63
63
64

Rated voltage

125 V~

Rated current

15 A

Connecting terminals only suitable for wiring with massive conductors.

Insert, UL-certified: E140596

Standard NEMA 5-15 R

Design	Order no.	PU
brown matt, insert brown	8 6263 25 01	200
polar white matt, insert white	8 6263 25 02	200
black matt, insert black	8 6263 25 13	200
brown matt, insert brown	9 6263 25 01	10
polar white matt, insert white	9 6263 25 02	10
black matt, insert black	9 6263 25 13	10



Socket outlet with earthing contact USA/CANADA NEMA 6-20 R

▶ 210

- screw terminals

- 2pole + earth



Suitable for

Contact protection box Ø 45 mm
Contact protection box Ø 49 mm
Contact protection box 2gang
Contact protection box 3gang

Order no.

9 1820 ..
9 188 ..
9 191 ..
9 1933

Page

63
63
63
64

Rated voltage

250 V~

Rated current

20 A

Connecting terminals only suitable for wiring with massive conductors.

Insert, UL-certified: E140596

Standard NEMA 6-20 R

Design	Order no.	PU
brown matt, insert brown	8 6254 25 01	200
anthracite matt, insert brown	8 6254 25 05	200
grey glossy, insert white	8 6254 25 07	200
polar white glossy, insert white	8 6254 25 09	200
black glossy, insert brown	8 6254 25 10	200
brown matt, insert brown	9 6254 25 01	10
grey glossy, insert white	9 6254 25 07	10
polar white glossy, insert white	9 6254 25 09	10
black glossy, insert brown	9 6254 25 10	10



Australian socket outlets



Socket outlet with earthing contact AUSTRALIA 10 A

▶ 210

- screw terminals

- 2pole + earth



Suitable for

Contact protection box Ø 45 mm
Contact protection box Ø 49 mm
Contact protection box 2gang
Contact protection box 3gang

Order no.

9 1820 ..
9 188 ..
9 191 ..
9 1933

Page

63
63
63
64

Rated voltage

250 V~

Rated current

10 A

Design	Order no.	PU
brown matt, insert black	9 6258 25 01	10
anthracite matt, insert black	9 6258 25 05	10
grey matt, insert black	9 6258 25 06	10
polar white matt, insert white	9 6258 25 02	10
black matt, insert black	9 6258 05	10





Socket outlet with earthing contact AUSTRALIA 15 A

▶ 210

- screw terminals

- 2pole + earth



Suitable for	Order no.	Page
Contact protection box Ø 45 mm	9 1820 ..	63
Contact protection box Ø 49 mm	9 188 ..	63
Contact protection box 2gang	9 191 ..	63
Contact protection box 3gang	9 1933	64

Rated voltage 250 V~
Rated current 15 A

Design	Order no.	PU
brown matt, insert black	9 6256 25 01	10
anthracite matt, insert black	9 6256 25 05	10
grey matt, insert black	9 6256 25 06	10
polar white matt, insert white	9 6256 25 02	10
black matt, insert black	9 6256 05	10



Danish socket outlets



Socket outlet with earthing contact DENMARK

▶ 210

- enhanced contact protection
- screw terminals

- 2pole + earth



Suitable for	Order no.	Page
Contact protection box Ø 45 mm	9 1820 ..	63
Contact protection box Ø 49 mm	9 188 ..	63
Contact protection box 2gang	9 191 ..	63
Contact protection box 3gang	9 1933	64

Rated voltage 250 V~
Rated current 13 A

Standard DS 60884-2-D1:2011
Connection terminals according to IEC 60884-1
Enhanced contact protection (child protection) according to IEC 60884-1

Design	Order no.	PU
black matt	8 6272 05	200
anthracite matt	9 6272 25 05	10
grey matt	9 6272 25 06	10
polar white matt	9 6272 25 02	10
black matt	9 6272 05	10



Italian socket outlets



Socket outlet with earthing contact ITALY

▶ 210

- enhanced contact protection
- screw terminals

- 2pole + earth



Suitable for	Order no.	Page
Contact protection box Ø 49 mm	9 188 ..	63
Contact protection box 2gang	9 1915 0 ..	63
Contact protection box 3gang	9 1933	64

Rated voltage 250 V~
Rated current 16 A

Not suitable for fixing clamping ring!
Enhanced contact protection (child protection) according to IEC 60884-1

Design	Order no.	PU
anthracite matt, insert black	9 6251 25 05	10
polar white matt, insert white	9 6251 25 02	10
black matt, insert black	9 6251 25 03	10



Swiss socket outlets



Socket outlet with earthing contact SWITZERLAND type 13

▶ 210

- screw terminals

- 2pole + earth



Suitable for
Contact protection box Ø 49 mm
Contact protection box 2gang
Contact protection box 3gang

Order no.
9 188 ..
9 1915 0 ..
9 1933

Page
63
63
64

Rated voltage 250 V~
Rated current 10 A

Not suitable for fixing clamping ring!
Connection terminals according to IEC 60884-1

Design	Order no.	PU
brown matt	8 6249 25 01	200
anthracite matt	8 6249 25 05	200
polar white matt	8 6249 25 02	200
black matt	8 6249 05	200
brown matt	9 6249 25 01	10
anthracite matt	9 6249 25 05	10
grey matt	9 6249 25 06	10
polar white matt	9 6249 25 02	10
black matt	9 6249 05	10



Socket outlet with earthing contact SWITZERLAND type 23

▶ 210

- screw terminals

- 2pole + earth



Suitable for
Contact protection box Ø 49 mm
Contact protection box 2gang
Contact protection box 3gang

Order no.
9 188 ..
9 1915 0 ..
9 1933

Page
63
63
64

Rated voltage 250 V~
Rated current 16 A

Not suitable for fixing clamping ring!
Connection terminals according to IEC 60884-1

Design	Order no.	PU
brown matt	9 6259 25 01	10
anthracite matt	9 6259 25 05	10
grey matt	9 6259 25 06	10
polar white matt	9 6259 25 02	10
black matt	9 6259 25 03	10



British Standard socket outlets



Socket outlet with earthing contact BRITISH STANDARD

▶ 210

- enhanced contact protection
- screw terminals

- 2pole + earth



Suitable for
Contact protection box Ø 45 mm
Contact protection box Ø 49 mm
Contact protection box 2gang
Contact protection box 3gang

Order no.
9 1820 ..
9 188 ..
9 191 ..
9 1933

Page
63
63
63
64

Rated voltage 250 V~
Rated current 13 A

Standard BS 1363


Design	Order no.	PU
anthracite matt	8 6262 25 05	200
grey matt	8 6262 25 06	200
polar white matt	8 6262 25 02	200
black matt	8 6262 05	200
brown matt	9 6262 25 01	10
anthracite matt	9 6262 25 05	10
grey matt	9 6262 25 06	10
polar white matt	9 6262 25 02	10
black matt	9 6262 05	10



Socket outlets with earthing pin

- for 4-hole screw fitting

Socket outlets with earthing pin and screw terminals

 Marked items are only suitable for splash-protected IP44 flush-mounted installation when used in conjunction with sealing (order no. 9 1853), frame with hinged cover and imprint "IP44" and contact protection box.

Socket outlet with earthing pin



- screw terminals



Rated voltage 250 V~
Rated current 16 A

Connection terminals according to IEC 60884-1

Design	Order no.	PU
brown matt	8 6185 25 01	200
anthracite matt	8 6185 25 05	200
polar white matt	8 6185 25 02	200
black matt	8 6185 05	200
brown matt	9 6185 25 01	10
anthracite matt	9 6185 25 05	10
grey matt	9 6185 25 06	10
polar white matt	9 6185 25 02	10
black matt	9 6185 05	10



- 2pole + earth

Suitable for	Order no.	Page
Contact protection box Ø 45 mm	9 1820 ..	63
Contact protection box Ø 49 mm	9 188 ..	63
Contact protection box 2gang	9 191 ..	63
Contact protection box 3gang	9 1933	64
Optional		
Sealing for IP44 applications	9 1853	78
Frame with hinged cover and imprint "IP44"	8 1828 ..	77

Socket outlet with earthing pin



- enhanced contact protection
- screw terminals



Rated voltage 250 V~
Rated current 16 A

Connection terminals according to IEC 60884-1

Enhanced contact protection (child protection) according to IEC 60884-1

Design	Order no.	PU
anthracite matt	8 6195 25 05	200
grey matt	8 6195 25 06	200
polar white matt	8 6195 25 02	200
black matt	8 6195 05	200
brown matt	9 6195 25 01	10
anthracite matt	9 6195 25 05	10
grey matt	9 6195 25 06	10
polar white matt	9 6195 25 02	10
black matt	9 6195 05	10



- 2pole + earth


Suitable for	Order no.	Page
Contact protection box Ø 45 mm	9 1820 ..	63
Contact protection box Ø 49 mm	9 188 ..	63
Contact protection box 2gang	9 191 ..	63
Contact protection box 3gang	9 1933	64
Optional		
Sealing for IP44 applications	9 1853	78
Frame with hinged cover and imprint "IP44"	8 1828 ..	77

Socket outlets with earthing pin and insulation-piercing terminals



- New: Insulation-piercing terminals (IPT) for quick and easy connection with the joining tool, order no. 8 1726 25 81
- VDE approval
- Up to 2 flexible conductors with a cross section of 2.5 mm² can be connected for each IPT contact; wires do not have to be stripped in advance.
- Enables multiple socket outlets to be looped through without breaking the conductors.
- IPT contacts made from copper alloy, tin-plated
- thermoplastic centre plates and bases
- Base with snap-on safety cap

☑☑☑ Marked items are only suitable for splash-protected IP44 flush-mounted installation when used in conjunction with sealing (order no. 9 1853 01) and frame with hinged cover and imprint "IP44".

New ☑☑☑ **Socket outlet with earthing pin** ▶ 212



- enhanced contact protection
- insulation-piercing terminals

Rated voltage 250 V~
 Rated current 16 A
 Conductor cross-section (flexible) 2.5 mm²

Earth bracket clamping forces according to TNO requirements.
 Not suitable for contact protection boxes (cavity walls).
 Connection terminals according to IEC 60884-1
 Enhanced contact protection (child protection) according to IEC 60884-1


- 2pole + earth

Suitable for Optional	Order no.	Page
Sealing IP44 for socket outlets with insulation displacement contacts	9 1853 01	79
Frame with hinged cover and imprint "IP44"	8 1828 ..	77



Design	Order no.	PU
anthracite matt	★ 8 6301 25 05	200
polar white matt	★ 8 6301 25 02	200
red matt	★ 8 6301 25 07	200
green matt	★ 8 6301 25 03	200
orange matt	★ 8 6301 25 04	200



New ☑☑☑ **Socket outlet with earthing pin and control LED** ▶ 212



- enhanced contact protection
- insulation-piercing terminals

Rated voltage 250 V~
 Rated current 16 A
 LED current 1 mA
 Conductor cross-section (flexible) 2.5 mm²

Earth bracket clamping forces according to TNO requirements.
 Not suitable for contact protection boxes (cavity walls).
 Connection terminals according to IEC 60884-1
 Enhanced contact protection (child protection) according to IEC 60884-1

- with green control LED as function light
- 2pole + earth

Suitable for Optional	Order no.	Page
Frame with hinged cover and imprint "IP44"		upon request
Sealing IP44 for socket outlets with insulation displacement contacts	9 1853 01	79

Design	Order no.	PU
anthracite matt	★ 8 6301 25 15	200
grey matt	★ 8 6301 25 16	200
polar white matt	★ 8 6301 25 12	200
black matt	★ 8 6301 25 18	200
red matt	★ 8 6301 25 17	200
green matt	★ 8 6301 25 13	200
orange matt	★ 8 6301 25 14	200





Socket outlet with earthing pin 45°

▶ 212

- enhanced contact protection
- insulation-piercing terminals



Rated voltage	250 V~
Rated current	16 A
Conductor cross-section (flexible)	2.5 mm ²

- for diagonal installation
- 2pole + earth

Suitable for	Order no.	Page
Optional		
Sealing IP44 for socket outlets with insulation displacement contacts	9 1853 01	79
Frame with hinged cover and imprint "IP44"	8 1828 ..	77

Earth bracket clamping forces according to TNO requirements.

Not suitable for contact protection boxes (cavity walls).

Connection terminals according to IEC 60884-1

Enhanced contact protection (child protection) according to IEC 60884-1

Design	Order no.	PU
anthracite matt	★ 8 6351 25 05	200
polar white matt	★ 8 6351 25 02	200
red matt	★ 8 6351 25 07	200
green matt	★ 8 6351 25 03	200
orange matt	★ 8 6351 25 04	200



Socket outlet with earthing pin 45° and control LED

▶ 212

- enhanced contact protection
- insulation-piercing terminals



Rated voltage	250 V~
Rated current	16 A
LED current	1 mA
Conductor cross-section (flexible)	2.5 mm ²

- with green control LED as function light
- for diagonal installation
- 2pole + earth

Suitable for	Order no.	Page
Optional		
Frame with hinged cover and imprint "IP44"		upon request
Sealing IP44 for socket outlets with insulation displacement contacts	9 1853 01	79

Earth bracket clamping forces according to TNO requirements.

Not suitable for contact protection boxes (cavity walls).

Connection terminals according to IEC 60884-1

Enhanced contact protection (child protection) according to IEC 60884-1

Design	Order no.	PU
anthracite matt	★ 8 6351 25 15	200
grey matt	★ 8 6351 25 16	200
polar white matt	★ 8 6351 25 12	200
black matt	★ 8 6351 25 18	200
red matt	★ 8 6351 25 17	200
green matt	★ 8 6351 25 13	200
orange matt	★ 8 6351 25 14	200



Socket outlets without earthing contact

- for 4-hole screw fitting

Dutch socket outlets



Socket outlet without earth contact NETHERLANDS

▶ 210

- enhanced contact protection
- screw terminals

- 2pole



Suitable for

Contact protection box Ø 45 mm
Contact protection box Ø 49 mm
Contact protection box 2gang
Contact protection box 3gang

Order no.

9 182 .. 63
9 188 .. 63
9 191 .. 63
9 1933 64

Page

Rated voltage 250 V~
Rated current 16 A
Mirror depth 14.5 mm

Connection terminals according to IEC 60884-1
Enhanced contact protection (child protection) according to IEC 60884-1

Design	Order no.	PU
anthracite matt	9 6194 25 05	10
grey matt	9 6194 25 06	10
polar white matt	9 6194 25 02	10
black matt	9 6194 05	10



Euro-American Standard socket outlets



Socket outlet without earthing contact EURO-AMERICAN STANDARD

▶ 210

- enhanced contact protection
- screw terminals

- 2pole



Suitable for

Contact protection box Ø 45 mm
Contact protection box Ø 49 mm
Contact protection box 2gang
Contact protection box 3gang

Order no.

9 1820 .. 63
9 188 .. 63
9 191 .. 63
9 1933 64

Page

Rated voltage 250 V~
Rated current 10 A

Not suitable for SCHUKO plug according to DIN 49441.
Standard GB 1002

Connection terminals according to IEC 60884-1
Enhanced contact protection (child protection) according to IEC 60884-1

Design	Order no.	PU
anthracite matt	8 6257 25 05	200
polar white matt	8 6257 25 02	200
brown matt	9 6257 25 01	10
anthracite matt	9 6257 25 05	10
grey matt	9 6257 25 06	10
polar white matt	9 6257 25 02	10
black matt	9 6257 25 03	10



Connecting devices 12 V



Socket outlet 12 V

Operating voltage	12 ... 24 V	- with fast-on terminal connection
Rated current	max. 16 A	
Flat connector size (size width x size width)	6.3 x 0.8 mm	
Installation depth (without cable lug)	30 mm	

Note:
When using 12 V connector (order no. 4637), observe max. rated current of 8 A.
DIN EN ISO 4165

Suitable for	Order no.	Page
Contact protection box Ø 45 mm	9 1820 ..	63
Contact protection box Ø 49 mm	9 188 ..	63
Contact protection box 2gang	9 191 ..	63
Contact protection box 3gang	9 1933	64
Plug 12 V	4637	66

Design	Order no.	PU
brown matt	8 4517 25 01	200
anthracite matt	8 4517 25 05	200
grey glossy	8 4517 25 07	200
polar white glossy	8 4517 25 09	200
brown matt	9 4517 25 01	10
anthracite matt	9 4517 25 05	10
grey glossy	9 4517 25 07	10
polar white glossy	9 4517 25 09	10
black matt	9 4517 05	10



Power socket outlet 12 V

Operating voltage	12 ... 24 V	- with fast-on terminal connection
Rated current for 1.5 mm ²	max. 15 A	
Rated current for 2.5 mm ²	max. 20 A	
Flat connector size (size width x size width)	6.3 x 0.8 mm	
Installation depth (without cable lug)	46 mm	

Not suitable for contact protection boxes (cavity walls).
Not suitable for installation in surface-mounted housing.
Compliant with SAE J563 (Feb. 2009), VW Standard TL82285 (Apr. 2007)

Design	Order no.	PU
brown matt	8 4571 25 01	200
anthracite matt	8 4571 25 05	200
grey glossy	8 4571 25 07	200
polar white glossy	8 4571 25 09	200
black matt	8 4571 25 03	200
brown matt	9 4571 25 01	10
anthracite matt	9 4571 25 05	10
grey glossy	9 4571 25 07	10
polar white glossy	9 4571 25 09	10



Power socket outlet 12 V, with imprint 20 A for motor vehicles

Operating voltage	12 ... 24 V	- with fast-on terminal connection
Rated current for 1.5 mm ²	max. 15 A	
Rated current for 2.5 mm ²	max. 20 A	
Flat connector size (size width x size width)	6.3 x 0.8 mm	
Installation depth (without cable lug)	46 mm	

Not suitable for contact protection boxes (cavity walls).
Not suitable for installation in surface-mounted housing.

Design	Order no.	PU
anthracite matt	9 4570 25 05	10





Power socket outlet 12 V, with imprint 10 A for motor vehicles

Operating voltage	12 ... 24 V	- with fast-on terminal connection
Rated current	max. 10 A	
Flat connector size (size width x size width)	6.3 x 0.8 mm	
Installation depth (without cable lug)	46 mm	

Not suitable for contact protection boxes (cavity walls).

Not suitable for installation in surface-mounted housing.



Design	Order no.	PU
anthracite matt	9 4570 25 15	10



Socket outlet 12 V + SAT

Operating voltage	12 V=	- with double F-socket
Rated current	max. 10 A	- with fast-on terminal connection
Installation depth (without cable lug)	28 mm	

Not suitable for frames with hinged covers.

For reception of satellite TV signals and simultaneous power supply of appropriate TV devices.

Design	Order no.	PU
brown matt	8 4572 25 01	200
anthracite matt	8 4572 25 05	200
polar white matt	8 4572 25 02	200
black matt	8 4572 25 03	200
brown matt	9 4572 25 01	10
anthracite matt	9 4572 25 05	10
polar white matt	9 4572 25 02	10
black matt	9 4572 25 03	10



Socket outlet 12 V + TV

Operating voltage	12 V=	- with IEC jack (male), connection in F system on the rear
Rated current	max. 10 A	- with fast-on terminal connection
Installation depth (without cable lug)	28 mm	

For reception of terrestrial or wire-connected TV signals with simultaneous power supply of appropriate devices.
Not suitable for frames with hinged covers.

Design	Order no.	PU
anthracite matt	9 4573 25 05	10
polar white matt	9 4573 25 02	10



Socket outlet 12 V + Radio

Operating voltage	12 V=	- with IEC jack (female), connection in F system on the rear
Rated current	max. 10 A	- with fast-on terminal connection
Installation depth (without cable lug)	28 mm	

For reception of terrestrial or wire-connected radio signals with simultaneous power supply of appropriate devices.

In some countries, this insert can also be used for TV reception.

Not suitable for frames with hinged covers.

Design	Order no.	PU
anthracite matt	9 4574 25 05	10
polar white matt	9 4574 25 02	10



USB charging sockets

- for charging mobile end devices via USB cable
- short-circuit and overload proof (electronic fuse)

New



USB charging socket 2gang 230 V, 3 A

- screw terminals



Frequency	50/60 Hz
Output voltage	5 V= (± 5 %)
Output current per socket	max. 3 A
Output current when operating both sockets	max. 3 A
Power consumption (standby)	max. 150 mW
Conductor cross-section (rigid)	max. 2.5 mm ²
Installation depth	31 mm

No data transmission possible!

- with 2 USB sockets type A

Suitable for	Order no.	Page
Contact protection box Ø 49 mm	9 188 ..	63
Contact protection box 2gang	9 1915 0 ..	63
Contact protection box 3gang	9 1933	64



Design	Order no.	PU
anthracite matt	★ 9 2610 25 05	1
polar white matt	★ 9 2610 25 09	1

New



12 V USB charging socket outlet

Input voltage	8 ... 34 V=
Output voltage	5 V= (± 5 %)
Output current	max. 3 A
Power consumption (standby)	< 100 mW
Installation depth	32 mm

No data transmission possible!

- with USB socket type A
- pre-assembled with connecting cables (red, black), length approx. 15 cm

Suitable for	Order no.	Page
Contact protection box Ø 49 mm	9 188 ..	63
Contact protection box 2gang	9 1915 0 ..	63
Contact protection box 3gang	9 1933	64



Design	Order no.	PU
brown matt, insert black	★ 8 2603 25 01	200
anthracite matt, insert black	★ 8 2603 25 05	200
grey glossy, insert black	★ 8 2603 25 07	200
polar white glossy, insert black	★ 8 2603 25 09	200
black matt, insert black	★ 8 2603 25 03	200
brown matt, insert black	★ 9 2603 25 01	10
anthracite matt, insert black	★ 9 2603 25 05	10
grey glossy, insert black	★ 9 2603 25 07	10
polar white glossy, insert black	★ 9 2603 25 09	10
black matt, insert black	★ 9 2603 25 03	10



12 V USB charging socket outlet 2gang

Input voltage	8 ... 34 V=	- with 2 USB sockets type		
Output voltage	5 V= (± 5 %)	- pre-assembled with connecting cables (red, black), length approx. 15 cm		
Output current per socket	max. 2.5 A			
Output current when operating both sockets	max. 5 A			
Power consumption (standby)	< 100 mW			
Installation depth	32 mm			
		Suitable for	Order no.	Page
		Contact protection box Ø 49 mm	9 188 ..	63
		Contact protection box 2gang	9 1915 0 ..	63
		Contact protection box 3gang	9 1933	64

No data transmission possible!

Design	Order no.	PU
brown matt, insert black	8 2602 25 01	200
anthracite matt, insert black	8 2602 25 05	200
grey glossy, insert black	8 2602 25 07	200
polar white glossy, insert black	8 2602 25 09	200
black matt, insert black	8 2602 25 03	200
brown matt, insert black	9 2602 25 01	10
anthracite matt, insert black	9 2602 25 05	10
grey glossy, insert black	9 2602 25 07	10
polar white glossy, insert black	9 2602 25 09	10
black matt, insert black	9 2602 25 03	10



TV/multimedia

Aerial sockets



Aerial connector box TV

DIN 45325		- with IEC jack (male)		
		- for soldered connection		
		Suitable for	Order no.	Page
		Frame with hinged cover	9 1828 ..	76
Design	Order no.			PU
brown matt	9 4511 25 11			10
anthracite matt	9 4511 25 15			10
polar white matt	9 4511 25 12			10
black matt	9 4511 15			10



Aerial connector box TV

Not suitable for frames with hinged covers.		- with IEC jack (male)		
DIN 45325		- connection in F system on the rear		
Design	Order no.			PU
brown matt	9 4581 25 01			10
anthracite matt	9 4581 25 05			10
grey matt	9 4581 25 06			10
polar white matt	9 4581 25 02			10
black matt	9 4581 25 03			10



Aerial connector box radio

Not suitable for frames with hinged covers.		- with IEC jack (female)		
		- connection in F system on the rear		
Design	Order no.			PU
anthracite matt	9 4562 25 05			10





Aerial connector box SAT

Not suitable for frames with hinged covers.

- with double F-socket

Design	Order no.	PU
anthracite matt	8 4519 25 05	200
polar white matt	8 4519 25 02	200
brown matt	9 4519 25 01	10
anthracite matt	9 4519 25 05	10
grey matt	9 4519 25 06	10
polar white matt	9 4519 25 02	10
black matt	9 4519 05	10



Aerial connector box radio/SAT

Not suitable for frames with hinged covers.

- with IEC and F socket
- connection in F system on the rear

Design	Order no.	PU
brown matt	9 4560 25 01	10
anthracite matt	9 4560 25 05	10
grey matt	9 4560 25 06	10
polar white matt	9 4560 25 02	10
black matt	9 4560 05	10



Aerial connector box radio/TV

Not suitable for frames with hinged covers.

- with IEC jacks (male/female)
- connection in F system on the rear

Design	Order no.	PU
polar white matt	9 4561 25 02	10



Aerial connector box TV/SAT

Not suitable for frames with hinged covers.

- with IEC and F socket
- connection in F system on the rear

Design	Order no.	PU
grey matt	8 4563 25 06	200
black matt	8 4563 25 03	200



Multimedia outlets



USB/3.5 mm audio socket outlet

Frequency range audio 20 ... 20000 Hz – double jack gold-plated 3.5 mm, stereo
 USB transmission rate max. 480 Mbit/s – with USB, double socket type A, USB 2.0 compatible

For connecting mobile devices, such as mobile phones or MP3 players (mini audio), digital cameras and computer peripherals (USB 2.0).

Observe the instructions of the cable and device manufacturers for maximum USB cable lengths!

Design	Order no.	PU
brown matt	8 4583 25 01	200
anthracite matt	8 4583 25 05	200
grey matt	8 4583 25 06	200
polar white matt	8 4583 25 02	200
black matt	8 4583 25 03	200
brown matt	9 4583 25 01	10
anthracite matt	9 4583 25 05	10
grey matt	9 4583 25 06	10
polar white matt	9 4583 25 02	10
black matt	9 4583 25 03	10



High definition socket outlet

Resolution max. 1920 x 1080 px – with HDMI™ double jack type A, supports HDMI™ technology (V 1.3 with Deep Color)
 Transmission rate max. 8.16 GBit/s – 19pole
 Video bandwidth max. 165 MHz – gold-plated contacts
 Frequency range (vertical) 50 ... 85 Hz

For the connection of digital devices for transmission of high-resolution audio and video signals, such as satellite receivers and DVD players, to LCD or LED screens.

Comply with the instructions of the cable and device manufacturers as to the maximum HDMI cable length.

Design	Order no.	PU
brown matt	8 4582 25 01	200
anthracite matt	8 4582 25 05	200
grey matt	8 4582 25 06	200
polar white matt	8 4582 25 02	200
black matt	8 4582 25 03	200
brown matt	9 4582 25 01	10
anthracite matt	9 4582 25 05	10
grey matt	9 4582 25 06	10
polar white matt	9 4582 25 02	10
black matt	9 4582 25 03	10



Cinch socket outlet 3-gang

Not suitable for frames with hinged covers. – 1 cinch double jack for video connection (yellow)
 – 2 cinch double jacks for audio connection (red, white)

Design	Order no.	PU
brown matt	8 4580 25 01	200
anthracite matt	8 4580 25 05	200
grey matt	8 4580 25 07	200
polar white matt	8 4580 25 09	200
black matt	8 4580 25 03	200



Audio/video modules



Cinch module set audio

Conductor Ø 0.5 ... 0.65 mm (AWG 24-22)
 Conductor cross-section 0.2 mm² ... 0.325 mm²
 Dimensions, per module (W x H x D) 15 x 18 x 35 mm

- with 2 Cinch sockets and module carriers
- with tool free cutting terminals

Suitable for Double supporting plate for MINI-COM modules
Order no. 9 4559 ..
Page 52

▶ 211



Design	Order no.	PU
polar white/red	1989	1



Cinch module video

Conductor Ø 0.5 ... 0.65 mm (AWG 24-22)
 Conductor cross-section 0.2 mm² ... 0.325 mm²
 Dimensions (W x H x D) 15 x 18 x 35 mm

- with cinch socket and module carrier
- with tool free cutting terminals

Suitable for Double supporting plate for MINI-COM modules
Order no. 9 4559 ..
Page 52

▶ 211



Design	Order no.	PU
polar white/yellow	1992	1



VGA module

Conductor cross-section 1.5 mm²
 Dimensions (W x H x D) 31 x 18 x 35 mm

- with a 15pole D-subminiature socket
- occupies 2 MINI-COM module spaces in the cover
- SVGA compatible
- with screw-in lift terminals

Suitable for Double supporting plate for MINI-COM modules
Order no. 9 4559 ..
Page 52

▶ 211



Design	Order no.	PU
polar white/black	1994	1



S-Video module

Conductor Ø 0.5 ... 0.65 mm (AWG 24-22)
 Conductor cross-section 0.2 mm² ... 0.325 mm²
 Dimensions (W x H x D) 15 x 18 x 35 mm

- with S-Video and module carrier
- with tool free cutting terminals

Suitable for Double supporting plate for MINI-COM modules
Order no. 9 4559 ..
Page 52

▶ 213



Design	Order no.	PU
polar white/black	1993	1



Blank module

Dimensions (W x H x D) 15 x 18 x 35 mm

Suitable for Double supporting plate for MINI-COM modules
Order no. 9 4559 ..
Page 52

Design	Order no.	PU
polar white	1990	1

Data communication

Supporting plates for modular jacks



Double supporting plate for MINI-COM modules

Not suitable for frames with hinged covers.

- for Mini-Com 3.5 mm stereo connection/coupling modules
- for Mini-Com BNC connector modules
- for Mini-Com Cinch connection/coupling modules
- for Mini-Com D-Subminiature connectors 15pole
- for Mini-Com F-plug coupling modules
- for Mini-Com speaker wire/banana plug modules
- for Mini-Com S-Video connection/coupling modules
- for Mini-Com jacks Cat.3, Cat.5e, Cat.6, Cat.6 10Gig
- for Mini-Com fibre-optic modules
- for Mini-Com dummy modules 1gang
- with 30° oblique outlet

Suitable for	Order no.	Page
Audio/video modules		from p. 51
Modular Jacks		from p. 53

Manufacturer product line	Art. no.
Mini-Com modules	
Panduit	

Design	Order no.	PU
anthracite glossy	9 4559 25 05	10
grey glossy	9 4559 25 07	10
polar white glossy	9 4559 25 09	10
black glossy	9 4559 05	10



Supporting plate 1gang for AMP modular jacks

Indexing dimension (W x H) ≈ 14.9 x 20.7 mm

Not suitable for frames with hinged covers.

- for AMP modular jacks series 110 Connect, Cat.3, Cat.5, Cat.5e and Cat.6

Manufacturer product line	Art. no.
EMT modular jack	
AMP	
Standard 110 Connect jack	
AMP	
MT-RJ jack	
AMP	
Intracom	
Telena	
Modular jacks	
Brand-Rex	
CobiNet	
EFB Electronic	
Schumann	
SL series toolless jack	
AMP	

Design	Order no.	PU
anthracite glossy	9 4557 25 05	10
grey glossy	9 4557 25 07	10
polar white glossy	9 4557 25 09	10
black glossy	9 4557 05	10



Supporting plate 2gang for BTR-/E-DAT modules

Not suitable for frames with hinged covers.

- for 130898-00-I BTR blank module
- for 130898-01-I BTR coax module F/F
- for 130898-02-I BTR coax module F/IEC socket
- for 130898-03-I BTR coax module F/IEC connector
- for 130908-I BTR FCC module Cat.5e 8(8)
- for 130909-I BTR FCC module Cat.6 8(8)
- for 130910-I BTR E-Dat module Cat.6a 8(8)
- for 1309A0-I BTR E-Dat module coupling 8(8) Cat.6
- for 15091001-I BTR Op-Dat module ST
- for 15091070-I BTR Op-Dat module LC
- for 15091071-I BTR Op-Dat module LC
- for 185700 Dätwyler Unilan socket module MS 1/8 Cat.6
- for 185750 Dätwyler Unilan socket module MU 1/8 Cat.6
- for 417446 Dätwyler Unilan RJ45 feed-through coupling
- with 25° oblique outlet

Manufacturer product line **Art. no.**
Modules
BTR NETCOM

Design	Order no.	PU
anthracite glossy	8 4558 25 05	100
grey glossy	8 4558 25 07	100
polar white glossy	8 4558 25 09	100
black glossy	8 4558 25 10	100

Modular Jacks



Mini jack, 8-pole

Colour code A and B according to TIA/EIA-568-B.2
Cat.5e according to ISO/IEC 11801
Cat.6 according to ISO/IEC 11801, 2nd edition


- with cutting terminals

Suitable for **Order no.** **Page**
Double supporting plate for MINI-COM modules 9 4559 .. 52

Design	Order no.	PU
black, RJ45, Cat.3, ISDN-compatible (AWG 24-22)	1980	1
Aluminium, RJ45, Cat.5e, shielded (AWG 24-22)	1984	1
Aluminium, RJ45, Cat.6, shielded (AWG 26)	1985	1



Rocker switch

 Marked items are only suitable for splash-protected IP44 flush-mounted installation when used in conjunction with sealing (order no. 9 1853), frame with imprint "IP44" and contact protection box.



On/off switch

Rated voltage
Switching current

250 V~ – with screw terminals
16 AX

▶ 211

Suitable for	Order no.	Page
Contact protection box Ø 45 mm, flat	9 1820 0 ..	63
Contact protection box Ø 45 mm	9 1820 ..	63
Contact protection box Ø 49 mm	9 188 ..	63
Contact protection box 2gang	9 191 ..	63
Contact protection box 3gang	9 1933	64
Optional		
Sealing for IP44 applications	9 1853	78
Frame with imprint "IP44"	9 1827 ..	77

Design

Order no.

PU

Berker Integro - Design Flow/Pure

brown matt	8 3651 25 01	200
anthracite matt	8 3651 25 05	200
grey glossy	8 3651 25 07	200
polar white glossy	8 3651 25 09	200

brown matt	9 3651 25 01	10
anthracite matt	9 3651 25 05	10
grey glossy	9 3651 25 07	10
polar white glossy	9 3651 25 09	10
black glossy	9 3651 25 10	10
granite black, silk matt, lacquered	9 3651 25 45	10
chrome glossy, galvanised	9 3651 25 18	10
chrome matt, galvanised	9 3651 25 28	10
chrome matt, lacquered	9 3651 25 68	10
stainless steel matt, lacquered	9 3651 25 24	10

Berker Integro - Design Classic

polar white glossy	8 3651 09	200
black matt	8 3651 05	200

brown matt	9 3651 01	10
grey glossy	9 3651 07	10
polar white glossy	9 3651 09	10
black matt	9 3651 05	10
granite black, silk matt, lacquered	9 3651 45	10
chrome glossy, galvanised	9 3651 18	10
chrome matt, galvanised	9 3651 28	10
gold glossy, galvanised	9 3651 38	10





Change-over switch

Rated voltage
Switching current

250 V~ - with screw terminals
16 AX

▶ 211

Suitable for	Order no.	Page
Contact protection box Ø 45 mm, flat	9 1820 0 ..	63
Contact protection box Ø 45 mm	9 1820 ..	63
Contact protection box Ø 49 mm	9 188 ..	63
Contact protection box 2gang	9 191 ..	63
Contact protection box 3gang	9 1933	64
Optional		
Sealing for IP44 applications	9 1853	78
Frame with imprint "IP44"	9 1827 ..	77

Design

Order no.

PU

Berker Integro - Design Flow/Pure

anthracite matt	8 3656 25 05	200
grey glossy	8 3656 25 07	200
polar white glossy	8 3656 25 09	200
brown matt	9 3656 25 01	10
anthracite matt	9 3656 25 05	10
grey glossy	9 3656 25 07	10
polar white glossy	9 3656 25 09	10
black glossy	9 3656 25 10	10
granite black, silk matt, lacquered	9 3656 25 45	10
chrome glossy, galvanised	9 3656 25 18	10
chrome matt, galvanised	9 3656 25 28	10
chrome matt, lacquered	9 3656 25 68	10
Stainless steel matt, lacquered	9 3656 25 24	10
gold glossy, galvanised	9 3656 25 38	10

Berker Integro - Design Classic

polar white glossy	8 3656 09	200
brown matt	9 3656 01	10
grey glossy	9 3656 07	10
polar white glossy	9 3656 09	10
black matt	9 3656 05	10
granite black, silk matt, lacquered	9 3656 45	10
chrome glossy, galvanised	9 3656 18	10
chrome matt, galvanised	9 3656 28	10



Intermediate switch

Rated voltage
Switching current

250 V~ - with screw terminals
16 AX

▶ 211

Suitable for	Order no.	Page
Contact protection box Ø 45 mm, flat	9 1820 0 ..	63
Contact protection box Ø 45 mm	9 1820 ..	63
Contact protection box Ø 49 mm	9 188 ..	63
Contact protection box 2gang	9 191 ..	63
Contact protection box 3gang	9 1933	64
Optional		
Sealing for IP44 applications	9 1853	78
Frame with imprint "IP44"	9 1827 ..	77

Design

Order no.

PU

Berker Integro - Design Flow/Pure

brown matt	9 3657 25 01	10
anthracite matt	9 3657 25 05	10
grey glossy	9 3657 25 07	10
polar white glossy	9 3657 25 09	10
black glossy	9 3657 25 10	10
chrome matt, galvanised	9 3657 25 28	10
chrome matt, lacquered	9 3657 25 68	10
Stainless steel matt, lacquered	9 3657 25 24	10

Berker Integro - Design Classic

brown matt	9 3657 01	10
polar white glossy	9 3657 09	10



	On/off switch 2pole with imprint "0"			▶ 211
	Rated voltage Switching current For switching of 16 A socket outlets, for example.	250 V~ 16 AX	- with screw terminals	
		Suitable for	Order no.	Page
		Contact protection box Ø 45 mm, flat	9 1820 0 ..	63
		Contact protection box Ø 45 mm	9 1820 ..	63
		Contact protection box Ø 49 mm	9 188 ..	63
		Contact protection box 2gang	9 191 ..	63
		Contact protection box 3gang	9 1933	64
		Optional		
		Sealing for IP44 applications	9 1853	78
		Frame with imprint "IP44"	9 1827 ..	77
Design		Order no.		PU

Berker Integro - Design Flow/Pure

polar white glossy	8 3652 25 09	200
brown matt	9 3652 25 01	10
anthracite matt	9 3652 25 05	10
grey glossy	9 3652 25 07	10
polar white glossy	9 3652 25 09	10
black glossy	9 3652 25 10	10
granite black, silk matt, lacquered	9 3652 25 45	10
chrome glossy, galvanised	9 3652 25 18	10
chrome matt, galvanised	9 3652 25 28	10
chrome matt, lacquered	9 3652 25 68	10
Stainless steel matt, lacquered	9 3652 25 24	10

Berker Integro - Design Classic

brown matt	9 3652 01	10
grey glossy	9 3652 07	10
polar white glossy	9 3652 09	10
black matt	9 3652 05	10
granite black, silk matt, lacquered	9 3652 45	10
chrome matt, galvanised	9 3652 28	10



	Control on/off switch 2pole with imprint "0"			▶ 211
	- red lens Rated voltage Switching current Neon lamp current	250 V~ 16 AX 0.9 mA	- for illumination and monitoring circuit - with integral neon lamp - with screw terminals	
		Suitable for	Order no.	Page
		Contact protection box Ø 45 mm, flat	9 1820 0 ..	63
		Contact protection box Ø 45 mm	9 1820 ..	63
		Contact protection box Ø 49 mm	9 188 ..	63
		Contact protection box 2gang	9 191 ..	63
		Contact protection box 3gang	9 1933	64
		Optional		
		Sealing for IP44 applications	9 1853	78
		Frame with imprint "IP44"	9 1827 ..	77
Design		Order no.		PU

Berker Integro - Design Flow/Pure

anthracite matt	8 3752 25 05	200
chrome glossy, galvanised	8 3752 25 18	50
brown matt	9 3752 25 01	10
anthracite matt	9 3752 25 05	10
grey glossy	9 3752 25 07	10
polar white glossy	9 3752 25 09	10
black glossy	9 3752 25 10	10
chrome matt, lacquered	9 3752 25 68	10
Stainless steel matt, lacquered	9 3752 25 24	10

Berker Integro - Design Classic

black matt	8 3752 05	200
brown matt	9 3752 01	10
black matt	9 3752 05	10
grey glossy	9 3752 07	10
polar white glossy	9 3752 09	10

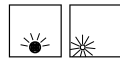




Control on/off switch 2pole with imprint "0", 12 V

▶ 211

- red lens
- control LED



Rated voltage
Switching current
LED current

12 V=
5 A
10 mA

- for illumination and monitoring circuit
- with integral indicator LED
- with screw terminals

Suitable for	Order no.	Page
Contact protection box Ø 45 mm, flat	9 1820 0 ..	63
Contact protection box Ø 45 mm	9 1820 ..	63
Contact protection box Ø 49 mm	9 188 ..	63
Contact protection box 2gang	9 191 ..	63
Contact protection box 3gang	9 1933	64
Optional		
Sealing for IP44 applications	9 1853	78
Frame with imprint "IP44"	9 1827 ..	77

Design

Order no.

PU

Berker Integro - Design Flow/Pure

brown matt	9 3762 25 31	10
anthracite matt	9 3762 25 35	10
polar white glossy	9 3762 25 39	10
black glossy	9 3762 25 10	10
chrome glossy, galvanised	9 3762 25 18	10
chrome matt, lacquered	9 3762 25 68	10
Stainless steel matt, lacquered	9 3762 25 24	10



Multiple rocker switches



Series switch, common input terminal

▶ 211

Rated voltage
Switching current

250 V~
16 AX

- with screw terminals

Suitable for	Order no.	Page
Contact protection box Ø 45 mm, flat	9 1820 0 ..	63
Contact protection box Ø 45 mm	9 1820 ..	63
Contact protection box Ø 49 mm	9 188 ..	63
Contact protection box 2gang	9 191 ..	63
Contact protection box 3gang	9 1933	64

Design

Order no.

PU

Berker Integro - Design Flow/Pure

brown matt	8 3655 25 01	200
anthracite matt	8 3655 25 05	200
grey glossy	8 3655 25 07	200
polar white glossy	8 3655 25 09	200
brown matt	9 3655 25 01	10
anthracite matt	9 3655 25 05	10
grey glossy	9 3655 25 07	10
polar white glossy	9 3655 25 09	10
black glossy	9 3655 25 10	10
granite black, silk matt, lacquered	9 3655 25 45	10
chrome glossy, galvanised	9 3655 25 18	10
chrome matt, galvanised	9 3655 25 28	10
chrome matt, lacquered	9 3655 25 68	10
Stainless steel matt, lacquered	9 3655 25 24	10
gold glossy, galvanised	9 3655 25 38	10



Berker Integro - Design Classic

brown matt	9 3655 01	10
grey glossy	9 3655 07	10
polar white glossy	9 3655 09	10
black matt	9 3655 05	10
chrome glossy, galvanised	9 3655 18	10
chrome matt, galvanised	9 3655 28	10
gold glossy, galvanised	9 3655 38	10



Double on/off switch 12 V, isolated input terminals

▶ 211

Rated voltage 12 V= – with screw terminals
Switching current 5 A

Suitable for	Order no.	Page
Contact protection box Ø 45 mm, flat	9 1820 0 ..	63
Contact protection box Ø 45 mm	9 1820 ..	63
Contact protection box Ø 49 mm	9 188 ..	63
Contact protection box 2gang	9 191 ..	63
Contact protection box 3gang	9 1933	64

Design

Order no.


PU

Berker Integro - Design Flow/Pure

brown matt	8 3664 25 01	50
anthracite matt	8 3664 25 05	50
black glossy	8 3664 25 10	50
granite black, silk matt, lacquered	8 3664 25 45	50
chrome glossy, galvanised	8 3664 25 18	50
chrome matt, galvanised	8 3664 25 28	50
chrome matt, lacquered	8 3664 25 68	50



Rocker push-button

 Marked items are only suitable for splash-protected IP44 flush-mounted installation when used in conjunction with sealing (order no. 9 1853), frame with imprint "IP44" and contact protection box.



Push-button, NO contact

▶ 211

Rated voltage 250 V~ – with screw terminals
Momentary-contact current 10 A

Suitable for	Order no.	Page
Contact protection box Ø 45 mm, flat	9 1820 0 ..	63
Contact protection box Ø 45 mm	9 1820 ..	63
Contact protection box Ø 49 mm	9 188 ..	63
Contact protection box 2gang	9 191 ..	63
Contact protection box 3gang	9 1933	64

Optional

Sealing for IP44 applications	9 1853	78
Frame with imprint "IP44"	9 1827 ..	77

Design

Order no.

PU

Berker Integro - Design Flow/Pure

anthracite matt	8 3671 25 05	200
grey glossy	8 3671 25 07	200
brown matt	9 3671 25 01	10
anthracite matt	9 3671 25 05	10
grey glossy	9 3671 25 07	10
polar white glossy	9 3671 25 09	10
black glossy	9 3671 25 10	10
granite black, silk matt, lacquered	9 3671 25 45	10
chrome glossy, galvanised	9 3671 25 18	10
chrome matt, galvanised	9 3671 25 28	10
chrome matt, lacquered	9 3671 25 68	10
Stainless steel matt, lacquered	9 3671 25 24	10



Berker Integro - Design Classic

polar white glossy	8 3671 09	200
grey glossy	9 3671 07	10
polar white glossy	9 3671 09	10
black matt	9 3671 05	10
chrome glossy, galvanised	9 3671 18	10
chrome matt, galvanised	9 3671 28	10

 **Push-button, NO contact, illuminated**

▶ 211



- red lens



Rated voltage 250 V~
Neon lamp current 0.9 mA
Momentary-contact current 10 A

When several neon lamp units are used, the lamp current may result in malfunctioning of the relay/pulse relay.
Remedy: Carry along a neutral conductor or connect a capacitor 230 V (1 µF per 10 mA neon lamp current) in parallel with the coil.

- for illumination and monitoring circuit
- with integral neon lamp
- with screw terminals

Suitable for	Order no.	Page
Contact protection box Ø 45 mm, flat	9 1820 0 ..	63
Contact protection box Ø 45 mm	9 1820 ..	63
Contact protection box Ø 49 mm	9 188 ..	63
Contact protection box 2gang	9 191 ..	63
Contact protection box 3gang	9 1933	64
Optional		
Sealing for IP44 applications	9 1853	78
Frame with imprint "IP44"	9 1827 ..	77

Design Order no. PU

Berker Integro - Design Flow/Pure

brown matt	9 3772 25 01	10
anthracite matt	9 3772 25 05	10
grey glossy	9 3772 25 07	10
polar white glossy	9 3772 25 09	10



Multiple rocker push-buttons



Series push-button, 2 NO contacts, common input terminal

▶ 211

Rated voltage 250 V~
Momentary-contact current 10 A

- with screw terminals

Suitable for	Order no.	Page
Contact protection box Ø 45 mm	9 1820 ..	63
Contact protection box Ø 45 mm, flat	9 1820 0 ..	63
Contact protection box Ø 49 mm	9 188 ..	63
Contact protection box 2gang	9 191 ..	63
Contact protection box 3gang	9 1933	64

Design Order no. PU

Berker Integro - Design Flow/Pure

brown matt	9 3675 25 01	10
anthracite matt	9 3675 25 05	10
grey glossy	9 3675 25 07	10
polar white glossy	9 3675 25 09	10
black glossy	9 3675 25 10	10
granite black, silk matt, lacquered	9 3675 25 45	10
chrome glossy, galvanised	9 3675 25 18	10
chrome matt, galvanised	9 3675 25 08	10
chrome matt, lacquered	9 3675 25 68	10
Stainless steel matt, lacquered	9 3675 25 24	10



Berker Integro - Design Classic

brown matt	9 3675 01	10
grey glossy	9 3675 07	10
polar white glossy	9 3675 09	10
black matt	9 3675 05	10



Series push-button, isolated input terminals

▶ 211

Rated voltage 12 V=
Momentary-contact current 5 A

- with screw terminals

Suitable for	Order no.	Page
Contact protection box Ø 45 mm, flat	9 1820 ..	63
Contact protection box Ø 49 mm	9 188 ..	63
Contact protection box 2gang	9 191 ..	63
Contact protection box 3gang	9 1933	64

Design Order no. PU

Berker Integro - Design Flow/Pure

chrome glossy, galvanised	9 3665 25 18	10
---------------------------	---------------------	----



Blind push-button



Blind series push-button with imprinted symbol arrow

Rated voltage 250 V~ – with electrical interlocking to prevent mutual activation
 Momentary-contact current 10 A – with screw terminals

Follow the motor manufacturers' instructions.

Suitable for	Order no.	Page
Contact protection box Ø 45 mm, flat	9 1820 0 ..	63
Contact protection box Ø 45 mm	9 1820 ..	63
Contact protection box Ø 49 mm	9 188 ..	63
Contact protection box 2gang	9 191 ..	63
Contact protection box 3gang	9 1933	64

Design Order no. PU

Berker Integro - Design Flow/Pure

brown matt	9 3653 25 01	10
anthracite matt	9 3653 25 05	10
grey glossy	9 3653 25 07	10
polar white glossy	9 3653 25 09	10
black glossy	9 3653 25 10	10
granite black, silk matt, lacquered	9 3653 25 45	10
chrome glossy, galvanised	9 3653 25 18	10
chrome matt, galvanised	9 3653 25 08	10
chrome matt, lacquered	9 3653 25 68	10
Stainless steel matt, lacquered	9 3653 25 24	10

Berker Integro - Design Classic

grey glossy	9 3653 07	10
polar white glossy	9 3653 09	10
black matt	9 3653 05	10



Reverse polarity push-button



Reverse polarity push-button, 6 contacts

Operating voltage 12 ... 24 V= – double change-over contact, usable as NC or NO with separate input terminals
 Flat connector size (size width x size width) 4.8 x 0.8 mm – 6 contacts at the backside
 Momentary-contact current at 24 V= 7.5 A – with fast-on terminal connection
 Momentary-contact current at 12 V= 15 A

Suitable for	Order no.	Page
Contact protection box Ø 45 mm	9 1820 ..	63
Contact protection box Ø 49 mm	9 188 ..	63
Contact protection box 2gang	9 191 ..	63
Contact protection box 3gang	9 1933	64

Design Order no. PU

chrome glossy, galvanised	9 3697 25 18	10
---------------------------	--------------	----



Reverse polarity push-button, 4 contacts, with imprint for steps

Operating voltage 12 ... 24 V= – e.g. for caravan step
 Momentary-contact current at 12 V= 15 A – 4 contacts at the backside
 Momentary-contact current at 24 V= 7.5 A – with fast-on terminal connection

Suitable for	Order no.	Page
Contact protection box Ø 45 mm	9 1820 ..	63
Contact protection box Ø 49 mm	9 188 ..	63
Contact protection box 2gang	9 191 ..	63
Contact protection box 3gang	9 1933	64

Design Order no. PU

anthracite matt	8 3699 25 05	200
-----------------	--------------	-----

brown matt	9 3699 25 01	10
anthracite matt	9 3699 25 05	10
grey glossy	9 3699 25 07	10
polar white glossy	9 3699 25 09	10
black glossy	9 3699 25 10	10
chrome matt, lacquered	9 3699 25 68	10
chrome matt, galvanised	9 3699 25 28	10



Reverse polarity push-button, 5 contacts, with imprint for steps

Operating voltage 12 ... 24 V= - e.g. for caravan step
 Momentary-contact current at 12 V= 15 A - 5 contacts at the backside
 Momentary-contact current at 24 V= 7.5 A - with fast-on terminal connection

Flat connector size (size width x size width)	4.8 x 0.8 mm	Suitable for	Order no.	Page
		Contact protection box Ø 45 mm	9 1820 ..	63
		Contact protection box Ø 49 mm	9 188 ..	63
		Contact protection box 2gang	9 191 ..	63
		Contact protection box 3gang	9 1933	64

Design	Order no.	PU
stainless steel matt, lacquered	8 3695 25 24	200
brown matt	9 3695 25 01	10
anthracite matt	9 3695 25 05	10
grey glossy	9 3695 25 07	10
polar white glossy	9 3695 25 09	10
black glossy	9 3695 25 10	10
chrome glossy, galvanised	9 3695 25 18	10
chrome matt, galvanised	9 3695 25 28	10
chrome matt, lacquered	9 3695 25 68	10



Reverse polarity push-button, 6 contacts, with imprint for steps

Operating voltage 12 ... 24 V= - e.g. for caravan step
 Momentary-contact current at 12 V= 15 A - double change-over contact, usable as NC or NO with separate input terminals
 Momentary-contact current at 24 V= 7.5 A - 6 contacts at the backside
 Flat connector size (size width x size width) 4.8 x 0.8 mm - with fast-on terminal connection

Flat connector size (size width x size width)	4.8 x 0.8 mm	Suitable for	Order no.	Page
		Contact protection box Ø 45 mm	9 1820 ..	63
		Contact protection box Ø 49 mm	9 188 ..	63
		Contact protection box 2gang	9 191 ..	63
		Contact protection box 3gang	9 1933	64

Design	Order no.	PU
anthracite matt	9 3697 25 05	10
black glossy	9 3697 25 10	10
chrome glossy, galvanised	9 3697 25 38	10



Reverse polarity push-button, 4 contacts, with imprint for beds

Operating voltage 12 ... 24 V= - for e.g. height-adjustable beds
 Momentary-contact current at 12 V= 15 A - 4 contacts at the backside
 Momentary-contact current at 24 V= 7.5 A - with fast-on terminal connection

Flat connector size (size width x size width)	4.8 x 0.8 mm	Suitable for	Order no.	Page
		Contact protection box Ø 45 mm	9 1820 ..	63
		Contact protection box Ø 49 mm	9 188 ..	63
		Contact protection box 2gang	9 191 ..	63
		Contact protection box 3gang	9 1933	64

Design	Order no.	PU
anthracite matt	★ 9 3699 25 75	10
chrome matt galvanised	★ 9 3699 25 78	10



Reverse polarity push-button, 4 contacts, with imprint for awnings

Operating voltage 12 ... 24 V= - e.g. for caravan awning
 Momentary-contact current at 12 V= 15 A - 4 contacts at the backside
 Momentary-contact current at 24 V= 7.5 A - with fast-on terminal connection

Flat connector size (size width x size width)	4.8 x 0.8 mm	Suitable for	Order no.	Page
		Contact protection box Ø 45 mm	9 1820 ..	63
		Contact protection box Ø 49 mm	9 188 ..	63
		Contact protection box 2gang	9 191 ..	63
		Contact protection box 3gang	9 1933	64

Design	Order no.	PU
anthracite matt	9 3696 25 05	10
chrome glossy, galvanised	9 3696 25 18	10
chrome matt, galvanised	9 3696 25 28	10
chrome matt, lacquered	9 3696 25 68	10



Reverse polarity push-button, 6 contacts, with imprinted arrows symbol

Operating voltage	24 V=	- double change-over contact, usable as NC or NO with separate input terminals
Momentary-contact current at 12 V=	15 A	- 6 contacts at the backside
Momentary-contact current at 24 V=	7.5 A	
Flat connector size (size width x size width)	4.8 x 0.8 mm	
Design	Order no.	PU
chrome glossy, galvanised	8 3697 25 78	50

Suitable for	Order no.	Page
Contact protection box Ø 45 mm	9 1820 ..	63
Contact protection box Ø 49 mm	9 188 ..	63
Contact protection box 2gang	9 191 ..	63
Contact protection box 3gang	9 1933	64

Appliance switch



On/off switch, 2-pole USA/CANADA with printing "0" and "I"

Rated voltage	250 V~	- with fast-on terminal connection
Switching current	16 A	
Flat connector size (size width x size width)	6.3 x 0.8 mm	
Switch UL listed.		
Design	Order no.	PU
polar white matt	9 4509 25 02	10
anthracite matt	9 4509 25 05	10
black matt	9 4509 05	10

Suitable for	Order no.	Page
Contact protection box Ø 45 mm, flat	9 1820 0 ..	63
Contact protection box Ø 45 mm	9 1820 ..	63
Contact protection box Ø 49 mm	9 188 ..	63
Contact protection box 2gang	9 191 ..	63
Contact protection box 3gang	9 1933	64



1 - 10 V control units



1 - 10 V rotary potentiometer with frame

- setting knob	- basic brightness programmable	
- soft locking	- e.g. for fluorescent lamps and LV halogen lamps	
	- for switching and controlling electronic ballasts and 1 - 10 V Tronic transformers, 105 W	
Operating voltage	230 V~	- with on/off pressure switch
Frequency	50/60 Hz	- short-circuit and overload proof (fine-wire fuse)
Switching current	6 A	- with spare fuse
Control current	50 mA	- with screw terminals
Installation depth	22 mm	
Axis dimension Ø	4 mm	

To ensure same illumination, use only electronic ballasts and fluorescent lamps from the same manufacturers.

Possible to change fuse without removing cover.

Do not mount with Berker Integro contact protection boxes, flush-mounted housings or fixing clamping ring.

Interface according to DIN EN 61347-2-3

Design	Order no.	PU
Berker Integro - Design Flow		
brown matt	9 2891 25 01	10
anthracite matt	9 2891 25 05	10
grey glossy	9 2891 25 06	10
polar white glossy	9 2891 25 09	10



Accessories

Contact protection boxes

- flame resistant according to VDE 0606-1



Contact protection box Ø 45 mm, flat

Cable Ø max. 10 mm - only for switches and push-buttons
 Installation depth 22 mm - with 1 cable entry
 Strain relief not suitable for flat cables.

▶ 213



Design	Order no.	PU
grey, without strain relief	9 1820 03	200
grey, with strain relief	9 1820 01	200



Contact protection box Ø 45 mm

Cable Ø max. 10 mm - for switches and socket outlets
 Installation depth 35.5 mm - with 4 cable entries
 - 3 knock out openings
 Strain relief not suitable for flat cables.

▶ 213



Design	Order no.	PU
grey, without strain relief	9 1820 02	200
grey, with strain relief	9 1820	200
grey, with strain relief for fire protection applications	9 1820 20	200



Contact protection box Ø 49 mm

Cable Ø max. 10 mm - with 2 cable entries
 Installation depth 38 mm
 Strain relief not suitable for flat cables.

▶ 213



Design	Order no.	PU
grey, without strain relief	9 1887 01	200
grey, with 1 internal double strain relief on side	9 1887	200



Contact protection box Ø 49 mm, deep

Cable Ø max. 12 mm - with 2 cable entries on backside
 Installation depth 45.5 mm - 1 knock out opening
 Strain relief not suitable for flat cables.

▶ 213



Design	Order no.	PU
grey, with 1 external double strain relief	9 1883	200
grey, with 1 external double strain relief for fire protection applications	9 1883 20	200



Contact protection box 2gang

length 109 mm - with 2 cable entries
 Width 49 mm - for vertical and horizontal mounting
 Cable Ø max. 12 mm - 1 knock out opening
 Installation depth 37 mm
 Strain reliefs not suitable for flat cables.
 Only suitable for 2gang frames!

▶ 213



Design	Order no.	PU
grey, with strain relief	8 1915 01	100
grey, with 2 strain reliefs	8 1915 02	100
grey, with strain relief	9 1915 01	10
grey, with 2 strain reliefs	9 1915 02	10



Contact protection box 2gang vertical, deep

▶ 213

length	109 mm	- with 4 cable entries on backside
Width	48 mm	- for vertical mounting
Cable Ø	max. 12 mm	- 3 knock out openings
Installation depth	45.5 mm	

Strain relief not suitable for flat cables.
Only suitable for 2gang frames!



Design	Order no.	PU
grey, without strain relief	9 1911 02	100
grey, with 1 external double strain relief	9 1911	100
grey, with 2 external double strain reliefs	9 1911 01	100

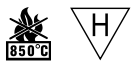


Contact protection box 2gang horizontal, deep

▶ 213

length	48 mm	- with 4 cable entries on backside
Width	109 mm	- for horizontal mounting
Cable Ø	max. 12 mm	- 2 knock out openings
Installation depth	45.5 mm	

Strain relief not suitable for flat cables.
Only suitable for 2gang frames!



Design	Order no.	PU
grey, with 1 external double strain relief	9 1912	100
grey, with 2 external double strain reliefs	9 1912 01	100



Contact protection box 3gang

▶ 213

length	168 mm	- with 6 cable entries, 1 per side, top, bottom and 2 on backside
Width	49 mm	- for vertical and horizontal mounting
Cable Ø	max. 10 mm	- 5 knock out openings
Installation depth	38 mm	

Strain relief not suitable for flat cables.
All devices can optionally be arranged vertically or horizontally.

Only suitable for 3gang frames (except order no. 9 1819 25 18, 9 1978 25 18 and 9 1978 25 28).

Restricted installation options apply if the cable clamp is mounted on the front face.



Design	Order no.	PU
grey, with 1 strain relief	9 1933	10



Contact protection box Ø 58 mm for terminal attachment

▶ 213

Cable Ø	max. 10 mm
Installation depth	35 mm

Strain relief not suitable for flat cables.



Design	Order no.	PU
grey, without strain relief	8 1837 01	200
grey, with 1 internal strain relief	8 1837	200

Supplementary products



Fixing clamping ring

▶ 213

Hole Ø	50 mm	Suitable for	Order no.	Page
For Berker Integro inserts, e. g. for installation in a mirror.		Contact protection box Ø 58 mm for terminal attachment	8 1837 ..	64
Design		Order no.		PU
grey, material thickness 5 mm		8 1836		200
dark grey, material thickness 4 mm		8 1836 01		200
polar white matt, material thickness 6 mm		8 1836 02		200



Blank plate

- with supporting plate

Design	Order no.	PU
brown matt	8 4516 25 01	200
anthracite matt	8 4516 25 05	200
grey glossy	8 4516 25 07	200
polar white glossy	8 4516 25 09	200
chrome matt, lacquered	8 4516 25 68	200
brown matt	9 4516 25 01	10
anthracite matt	9 4516 25 05	10
grey glossy	9 4516 25 07	10
polar white glossy	9 4516 25 09	10
black glossy	9 4516 25 10	10
black matt	9 4516 05	10
granite black, silk matt, lacquered	9 4516 25 45	10
Stainless steel matt, lacquered	9 4516 25 24	10



Mounting template 3gang, cardboard

For precise hole drilling for 1gang appliances and for 2gang and 3gang combinations.

Design	Order no.	PU
grey, cardboard	918 44	10



For precise hole drilling for 1gang appliances and for 2gang combinations.

Design	Order no.	PU
	9 1845 02	1



For precise hole drilling for 1gang appliances and for 2gang and 3gang combinations.

Design	Order no.	PU
	9 1845 03	1



Built-in socket for floating output

Conductor cross-section (rigid) max. 6 mm² - for centre plate with cut-out dia. 18.8 mm
- with a green yellow signal ring

For separate earthing of medical-technical equipment and lab equipment.

Connection pins according to DIN 42801



Design	Order no.	PU
Built-in socket for floating output	4604	1



Plug 12 V

Operating voltage
Rated current

12 ... 24 V
max. 8 A – with solder connection

Suitable for
Socket outlet 12 V
Socket outlet 12 V

Order no.
8 4517 ..
9 4517 ..

Page
45
45



Design
black matt

Order no.
4637

PU
1



Wire and duct entry

Also suitable for surface-mounted frames and housings from the flush-mounted ranges.

– for wire or 15 x 15 mm cable duct

Suitable for
Surface-mounted housing high

Order no.
9 1151 ..

Page
91

Design
white
polar white
black

Order no.
1813
1813 09
1813 05

PU
10
10
10

Products for Truma devices



Frame 1gang for Truma devices

To be used only for Truma devices!

Design
anthracite matt
chrome glossy, galvanised

brown matt
anthracite matt
grey glossy
polar white glossy
black glossy
chrome matt, lacquered
chrome glossy, galvanised
stainless steel matt, lacquered

Order no.
8 1971 25 05
8 1971 25 17

9 1971 25 01
9 1971 25 05
9 1971 25 07
9 1971 25 09
9 1971 25 10
9 1971 25 68
9 1971 25 17
9 1971 25 24

PU
200
200

10
10
10
10
10
10
10
10
10



Frame 2gang for Truma devices

To be used only for Truma devices!

Design
brown matt
anthracite matt

brown matt
anthracite matt
chrome matt, lacquered

Order no.
8 1972 25 01
8 1972 25 05

9 1972 25 01
9 1972 25 05
9 1972 25 68

PU
100
100

2
2
2



Frame 3gang for Truma devices

To be used only for Truma devices!

Design
brown matt
anthracite matt

brown matt
anthracite matt
chrome matt, lacquered

Order no.
8 1973 25 01
8 1973 25 05

9 1973 25 01
9 1973 25 05
9 1973 25 68

PU
200
200

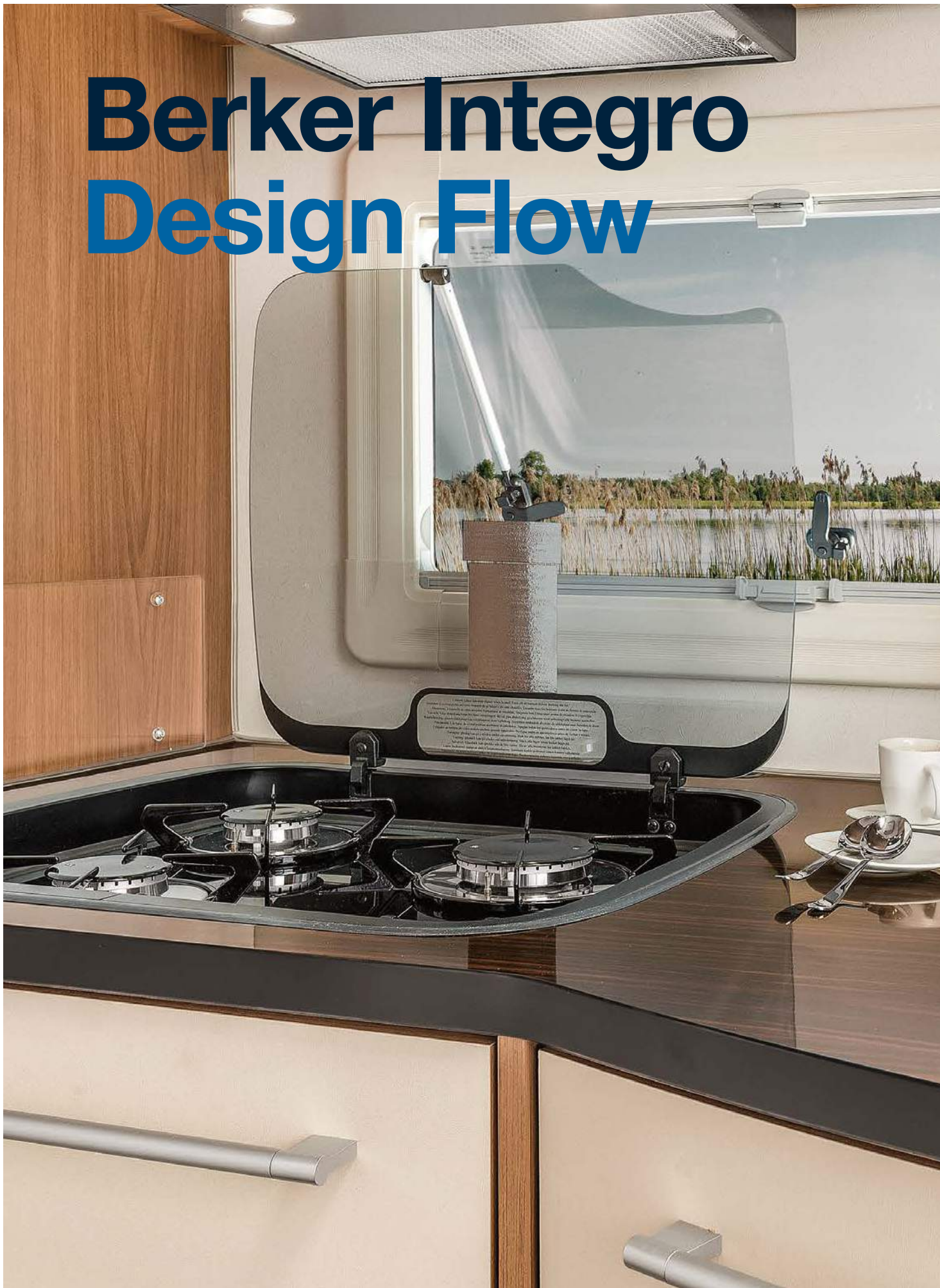
2
2
2



Blank plate for Truma frame

Design	Order no.	PU
brown matt	8 1974 25 01	200
anthracite matt	8 1974 25 05	200
grey matt	8 1974 25 06	200
black matt	8 1974 25 03	200
chrome matt, lacquered	8 1974 25 68	200
brown matt	9 1974 25 01	10
anthracite matt	9 1974 25 05	10
chrome matt, lacquered	9 1974 25 68	10

Berker Integro Design Flow





Berker Integro
Design Flow

Berker Integro Design Flow


A contemporary solution for every installation environment – straight-line contours and angular corners, coupled with arched surface geometry. In this manner Design Flow from Berker Integro ensures a harmonious transition to the operating section for any installation surface. The ideal product for virtually any interior style.



02

Page

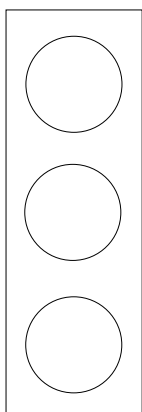
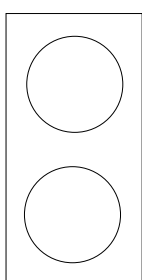
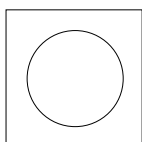
Frames	74
Surface-mounted housing	79

 Marked items are suitable for splash-protected IP44 installation when used in conjunction with the corresponding sealing set.

Product examples

Berker Integro

Design Flow



Dimensions

Frame 1-3gang (W x H)
1-gang: 59.5 x 59.5 mm
2-gang: 59.5 x 119 mm
3-gang: 59.5 x 178.5 mm





Frames/Covers/ Central inserts

Plastic, glossy

Grey	similar to RAL 7038
Polar white	similar to RAL 9010
Black	similar to RAL 9005
Red	similar to RAL 3003
Green	similar to RAL 6032
Orange	similar to RAL 2008

Plastic, lacquered

Chrome matt	similar to RAL 9006
Stainless steel	similar to RAL 9022

Plastic, matt

Brown	similar to RAL 8017
Anthracite	similar to RAL 7021

plastic, galvanised

chrome glossy	similar to RAL 9023
Chrome matt	similar to RAL 9006
gold glossy	



Frames



Frame 1 gang

▶ 214

Design	Order no.	PU
brown matt	8 1827 25 01	200
anthracite matt	8 1827 25 05	200
grey glossy	8 1827 25 07	200
polar white glossy	8 1827 25 09	200
brown matt	9 1827 25 01	10
anthracite matt	9 1827 25 05	10
grey glossy	9 1827 25 07	10
polar white glossy	9 1827 25 09	10
black glossy	9 1827 25 10	10
chrome glossy, galvanised	9 1827 25 18	10
chrome matt, galvanised	9 1827 25 28	10
chrome matt, lacquered	9 1827 25 58	10
Stainless steel matt, lacquered	9 1827 25 24	10
gold glossy, galvanised	9 1827 25 38	10
red glossy	9 1827 25 76	10
green glossy	9 1827 25 70	10
orange glossy	9 1827 25 74	10



Frame 2 gang

▶ 214

– for vertical and horizontal mounting

Design	Order no.	PU
brown matt	8 1826 25 11	100
anthracite matt	8 1826 25 15	100
grey glossy	8 1826 25 07	100
polar white glossy	8 1826 25 19	100
red glossy	8 1826 25 76	100
brown matt	9 1826 25 11	2
anthracite matt	9 1826 25 15	2
grey glossy	9 1826 25 07	2
polar white glossy	9 1826 25 19	2
black glossy	9 1826 25 10	2
chrome glossy, galvanised	9 1826 25 18	2
chrome matt, galvanised	9 1826 25 28	2
chrome matt, lacquered	9 1826 25 58	2
Stainless steel matt, lacquered	9 1826 25 24	2
gold glossy, galvanised	9 1826 25 38	2
red glossy	9 1826 25 76	2
green glossy	9 1826 25 70	2
orange glossy	9 1826 25 74	2



Frame 3gang

– for vertical and horizontal mounting

▶ 214

Design	Order no.	PU
anthracite matt	8 1819 25 15	200
brown matt	9 1819 25 11	2
anthracite matt	9 1819 25 15	2
grey glossy	9 1819 25 07	2
polar white glossy	9 1819 25 19	2
black glossy	9 1819 25 10	2
chrome matt, lacquered	9 1819 25 68	2
chrome glossy, galvanised	9 1819 25 18	2
Stainless steel matt, lacquered	9 1819 25 24	2
red glossy	9 1819 25 76	2
green glossy	9 1819 25 70	2
orange glossy	9 1819 25 74	2



Frame

- labelling field



Labelling field height arranged for P-touch strips 6 mm.

Design	Order no.	PU
anthracite matt	9 1803 25 05	10
grey glossy	9 1803 25 07	10
polar white glossy	9 1803 25 09	10
chrome matt, lacquered	9 1803 25 68	10
red glossy	9 1803 25 76	10
green glossy	9 1803 25 90	10
orange glossy	9 1803 25 94	10

Frame with lens



Frame

- lens upper right / Lens down left

– for socket with indicator LED



Design	Order no.	PU
anthracite matt	9 1987 25 05	10
grey glossy	9 1987 25 06	10
polar white glossy	9 1987 25 02	10
red glossy	9 1987 25 76	10
green glossy	9 1987 25 03	10
orange glossy	9 1987 25 04	10



Frame

- labelling field
- lens upper left / Lens down right

– for socket with indicator LED



Labelling field height arranged for P-touch strips 6 mm.

Design	Order no.	PU
anthracite matt	8 1970 25 05	200
grey glossy	8 1970 25 06	200
polar white glossy	8 1970 25 02	200
red glossy	8 1970 25 76	200
green glossy	8 1970 25 03	200
orange glossy	8 1970 25 04	200



Frame

- labelling field
- lens upper right / Lens down left



- for socket with indicator LED

Labelling field height arranged for P-touch strips 6 mm.

Design	Order no.	PU
anthracite matt	8 1977 25 05	200
grey glossy	8 1977 25 06	200
polar white glossy	8 1977 25 02	200
red glossy	8 1977 25 76	200
green glossy	8 1977 25 03	200
orange glossy	8 1977 25 04	200

Frames with hinged cover



Frame with hinged cover

- for covering of socket outlets

▶ 214

Design	Order no.	PU
brown matt	8 1828 25 01	200
anthracite matt	8 1828 25 05	200
grey glossy	8 1828 25 07	200
polar white glossy	8 1828 25 09	200
brown matt	9 1828 25 01	10
anthracite matt	9 1828 25 05	10
grey glossy	9 1828 25 07	10
polar white glossy	9 1828 25 09	10
black glossy	9 1828 25 10	10
chrome glossy, galvanised	9 1828 25 18	10
chrome matt, galvanised	9 1828 25 28	10
chrome matt, lacquered	9 1828 25 78	10
Stainless steel matt, lacquered	9 1828 25 24	10
gold glossy, galvanised	9 1828 25 38	10
red glossy	9 1828 25 76	10
green glossy	9 1828 25 70	10
orange glossy	9 1828 25 74	10



Frame with hinged cover

- labelling field





- with 2 labelling field inlays, neutral and perforated for socket outlet with indicator LED
- for covering of socket outlets

Labelling field height arranged for P-touch strips 9 mm.

Design	Order no.	PU
anthracite matt	9 1988 25 05	10
grey glossy	9 1988 25 06	10
polar white glossy	9 1988 25 02	10
red glossy	9 1988 25 76	10
green glossy	9 1988 25 03	10
orange glossy	9 1988 25 04	10

IP44 applications

 Marked items are only suitable for splash-protected IP44 flush-mounted installation when used in conjunction with the corresponding sealing accessories and Berker Integro module insert.

 **Frame with imprint "IP44"**

 214



Not suitable for switches/push-buttons with split rocker.

- without sealing
- for water-proof covering of rocker switches/rocker push-buttons

Suitable for	Order no.	Page
Rocker switch		from p. 54
Rocker push-button		from p. 58
Sealing for IP44 applications	818 53	78

Design	Order no.	PU
brown matt	9 1827 25 91	10
anthracite matt	9 1827 25 95	10
grey glossy	9 1827 25 97	10
polar white glossy	9 1827 25 99	10
chrome matt, lacquered	9 1827 25 68	10

 **Frame with hinged cover and imprint "IP44"**

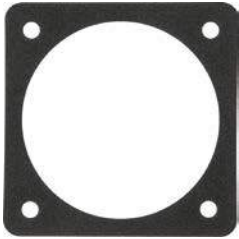
 214



- without sealing
- for waterproof covering of socket outlets

Suitable for	Order no.	Page
SCHUKO socket outlets		from p. 22
SCHUKO socket outlets with "SNAP IN"		from p. 29
Socket outlets with earthing pin		from p. 41
Sealing for IP44 applications		from p. 78
Sealing IP44 for socket outlets with insulation-piercing terminals		from p. 79

Design	Order no.	PU
anthracite matt	8 1828 25 95	200
grey glossy	8 1828 25 97	200
polar white glossy	8 1828 25 99	200
brown matt	9 1828 25 91	10
anthracite matt	9 1828 25 95	10
grey glossy	9 1828 25 97	10
polar white glossy	9 1828 25 99	10
chrome matt, lacquered	9 1828 25 68	10
red glossy	9 1828 25 86	10
green glossy	9 1828 25 90	10
orange glossy	9 1828 25 94	10



Sealing for IP44 applications

Material thickness 2.5 mm
Cut-out Ø 46.5 mm

New sealing material:
Cellular rubber, closed cell (EPDM-S), permanently elastic whilst also higher strength. For optimum sealing effect and improved material behaviour during installation.

Caution!

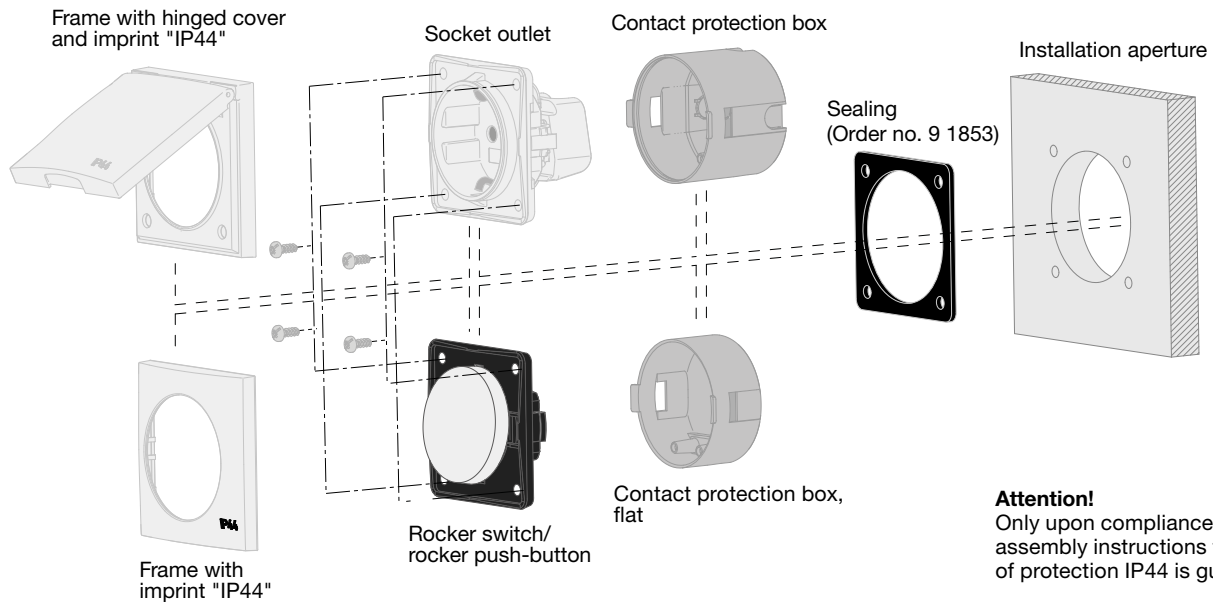
Not suitable for socket outlets with insulation-piercing terminals.
Not suitable for switches/push-buttons with split rocker.

- for SCHUKO socket outlets and socket outlets with earthing pin (frame with hinged cover "IP 44" and contact protection box required!)
- for rocker switch/rocker push-button (frame IP 44 and contact protection box required!)

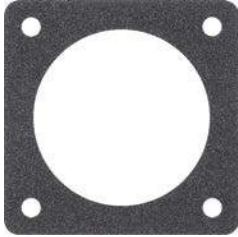
Suitable for	Order no.	Page
SCHUKO socket outlets with plug-in terminals		from p. 22
SCHUKO socket outlets with screw terminals		from p. 23
Socket outlets with earthing pin and screw terminals		from p. 41
Rocker switch		from p. 54
Rocker push-button		from p. 58
Frame with imprint "IP44"		from p. 77
Frame with hinged cover and imprint "IP44"		from p. 77

Design	Order no.	PU
black	8 1853	200
black	9 1853	10

Assembly instructions of IP44 covers



New



Sealing IP44 for socket outlets with insulation-piercing terminals

Material thickness 2.5 mm
Cut-out Ø 41 mm

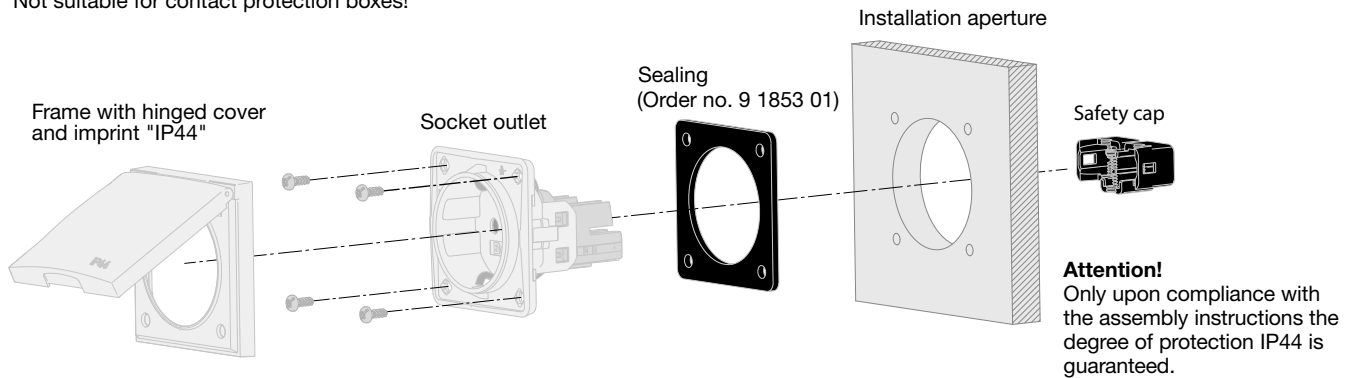
Sealing material:
Cellular rubber, closed cell (EPDM-S), permanently elastic whilst also higher strength. For optimum sealing effect and improved material behaviour during installation.

- for SCHUKO socket outlets with insulation-piercing terminals (frame with hinged cover "IP44" required!)
- for socket outlets with earthing pin and insulation-piercing terminals (frame with hinged cover "IP44" required!)

Design	Order no.	Page
black	★ 8 1853 01	from p. 24 from p. 42 from p. 77
black	★ 9 1853 01	200 10

Assembly instructions for IP44 socket outlets with insulation-piercing terminals

Not suitable for contact protection boxes!



Berker Integro
Design Flow

Surface-mounted housing



Surface-mounted housing high

Dimensions (W x H x D) 59.5 x 59.5 x 41 mm

- with cable entry
- for mounting on combustible base surface
- to built-on installation of devices

Design **without strain relief**

Design	Order no.	Page
brown glossy	9 1151 25 01	66
anthracite glossy	9 1151 25 05	66
grey glossy	9 1151 25 07	66
polar white glossy	9 1151 25 09	66
black glossy	9 1151 25 10	66

Design **with strain relief**

Design	Order no.	Page
brown glossy	9 1151 25 11	66
anthracite glossy	9 1151 25 15	66
grey glossy	9 1151 25 17	66
polar white glossy	9 1151 25 19	66
black glossy	9 1151 25 20	66





Surface-mounted housing flat

▶ 214

Dimensions (W x H x D) 59.5 x 59.5 x 16 mm – for mounting on combustible base surface
– to built-on installation of switches and push-buttons

Design	Order no.	PU
without strain relief		
anthracite glossy	9 1152 25 25	10
polar white glossy	9 1152 25 29	10
with 1 strain relief		
polar white glossy	8 1152 25 59	200
anthracite glossy	9 1152 25 55	10
polar white glossy	9 1152 25 59	10
with 2 strain reliefs		
polar white glossy	8 1152 25 69	200
anthracite glossy	9 1152 25 65	10
polar white glossy	9 1152 25 69	10



Surface-mounted spacer ring

▶ 214

Dimensions (W x H x D) 59.5 x 59.5 x 10 mm – for the reduction of the installation depth of the devices and surf.-mount. of switches and push-b.

Design	Order no.	PU
brown glossy	9 1825 25 11	10
anthracite glossy	9 1825 25 15	10
grey glossy	9 1825 25 06	10
polar white glossy	9 1825 25 12	10
black glossy	9 1825 25 10	10
chrome matt, lacquered	9 1825 25 68	10
Stainless steel matt, lacquered	9 1825 25 24	10

Berker Integro Design Classic





Berker Integro Design Classic

The classic in the Berker Integro family. Timeless design elements, such as rounded corners and smooth or structured surfaces, perfectly combined with modern design parameters such as flat surface geometry and a discrete radius on the corners. Thus the Design Classic installations advance to real eye-catchers.


The granite-black, silk-matt lacquered design guarantees a special operating experience. An innovative refined surface lacquer offers exceptional haptics for the connoisseur.



03

Page

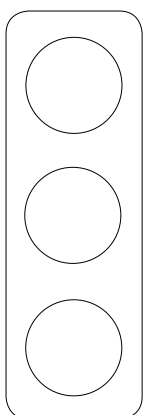
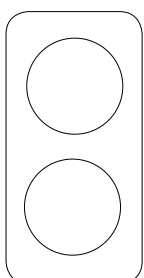
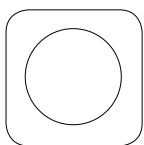
Frames	88
Surface-mounted housing	91

 Marked items are suitable for splash-protected IP44 installation when used in conjunction with the corresponding sealing set.

Product examples

Berker Integro

Design Classic



Dimensions

Frame 1-3gang (W x H)
1-gang: 59.5 x 59.5 mm
2-gang: 59.5 x 119 mm
3-gang: 59.5 x 178.5 mm





Frames/Covers/ Central inserts

Plastic, glossy

Grey	similar to RAL 7038
Polar white	similar to RAL 9010
Red	similar to RAL 3003
Green	similar to RAL 6032
Orange	similar to RAL 2008

Plastic, lacquered, silk matt

Granite black	similar to RAL 7026
---------------	---------------------

plastic, galvanised

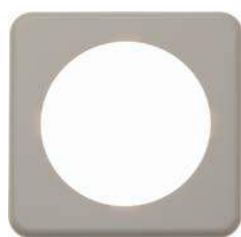
Chrome glossy	similar to RAL 9023
Chrome matt	similar to RAL 9006
Gold glossy	

Plastic, matt

Brown	similar to RAL 8017
Black	similar to RAL 9011



Frames



Frame 1gang

▶ 214

Design	Order no.	PU
brown matt	8 1827 01	200
grey glossy	8 1827 07	200
polar white glossy	8 1827 09	200
black matt	8 1827 05	200
brown matt	9 1827 01	10
grey glossy	9 1827 07	10
polar white glossy	9 1827 09	10
black matt	9 1827 05	10
granite black, silk matt, lacquered	9 1827 45	10
chrome glossy, galvanised	9 1827 18	10
chrome matt, galvanised	9 1827 28	10
gold glossy, galvanised	9 1827 38	10
stainless steel matt lacquered	9 1827 04	10
red glossy	9 1827 86	10
green glossy	9 1827 87	10
orange glossy	9 1827 88	10



Frame, screw mounting

▶ 214

Design	Order no.	PU
black matt	9 1827 10	10



Frame 2gang

▶ 214

– for vertical and horizontal mounting

Design	Order no.	PU
brown matt	8 1826 11	100
grey glossy	8 1826 07	100
black matt	8 1826 15	100
brown matt	9 1826 11	2
grey glossy	9 1826 07	2
polar white glossy	9 1826 19	2
black matt	9 1826 15	2
granite black, silk matt, lacquered	9 1826 45	2
chrome glossy, galvanised	9 1826 18	2
chrome matt, galvanised	9 1826 28	2
stainless steel matt, lacquered	9 1826 14	2
gold glossy, galvanised	9 1826 38	2



Frame 3gang

▶ 214

– for vertical and horizontal mounting

Design	Order no.	PU
brown matt	9 1819 11	2
grey glossy	9 1819 07	2
polar white glossy	9 1819 19	2
black matt	9 1819 15	2
granite black, silk matt, lacquered	9 1819 45	2

Frames with hinged cover



Frame with hinged cover

▶ 214

- without sealing
- for covering of socket outlets

Design	Order no.	PU
brown matt	8 1828 01	200
grey glossy	8 1828 07	200
polar white glossy	8 1828 09	200
black matt	8 1828 05	200
brown matt	9 1828 01	10
grey glossy	9 1828 07	10
polar white glossy	9 1828 09	10
black matt	9 1828 05	10
granite black, silk matt, lacquered	9 1828 45	10
chrome glossy, galvanised	9 1828 18	10
chrome matt, galvanised	9 1828 28	10

IP44 applications



Marked items are only suitable for splash-protected IP44 flush-mounted installation when used in conjunction with the corresponding sealing accessories and Berker Integro module insert.



Frame with imprint "IP44"

▶ 214

Not suitable for switches/push-buttons with split rocker.

- without sealing
- for water-proof covering of rocker switches/rocker push-buttons

Suitable for	Order no.	Page
Rocker switch		from p. 54
Rocker push-button		from p. 58
Sealing for IP44 applications		from p. 90

Design	Order no.	PU
brown matt	9 1827 91	10
grey glossy	9 1827 97	10
polar white glossy	9 1827 99	10
black matt	9 1827 95	10



Frame with hinged cover and imprint "IP44"

▶ 214

- without sealing
- for waterproof covering of socket outlets

Suitable for	Order no.	Page
SCHUKO socket outlets		from p. 22
SCHUKO socket outlets with "SNAP IN"		from p. 29
Socket outlets with earthing pin		from p. 41
Sealing for IP44 applications		from p. 90
Sealing IP44 for socket outlets with insulation-piercing terminals		from p. 91

Design	Order no.	PU
grey glossy	8 1828 97	200
polar white glossy	8 1828 99	200
black matt	8 1828 95	200
brown matt	9 1828 91	10
grey glossy	9 1828 97	10
polar white glossy	9 1828 99	10
black matt	9 1828 95	10
red glossy	9 1828 86	10
green glossy	9 1828 90	10
orange glossy	9 1828 94	10

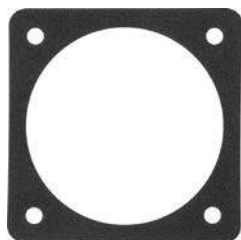


Frame with hinged cover and imprint "IP44", screw-on

- without sealing
- for waterproof covering of socket outlets

Suitable for	Order no.	Page
SCHUKO socket outlets		from p. 22
Socket outlets with earthing pin		from p. 41
Sealing for IP 44 applications		from p. 90

Design	Order no.	PU
black matt	8 1828 75	200
brown matt	9 1828 71	10
grey glossy	9 1828 77	10
polar white glossy	9 1828 79	10
black matt	9 1828 75	10



Sealing for IP44 applications

Material thickness 2.5 mm
Cut-out Ø 46.5 mm

New sealing material:
Cellular rubber, closed cell (EPDM-S), permanently elastic whilst also higher strength. For optimum sealing effect and improved material behaviour during installation.

Caution!

Not suitable for socket outlets with insulation-piercing terminals.

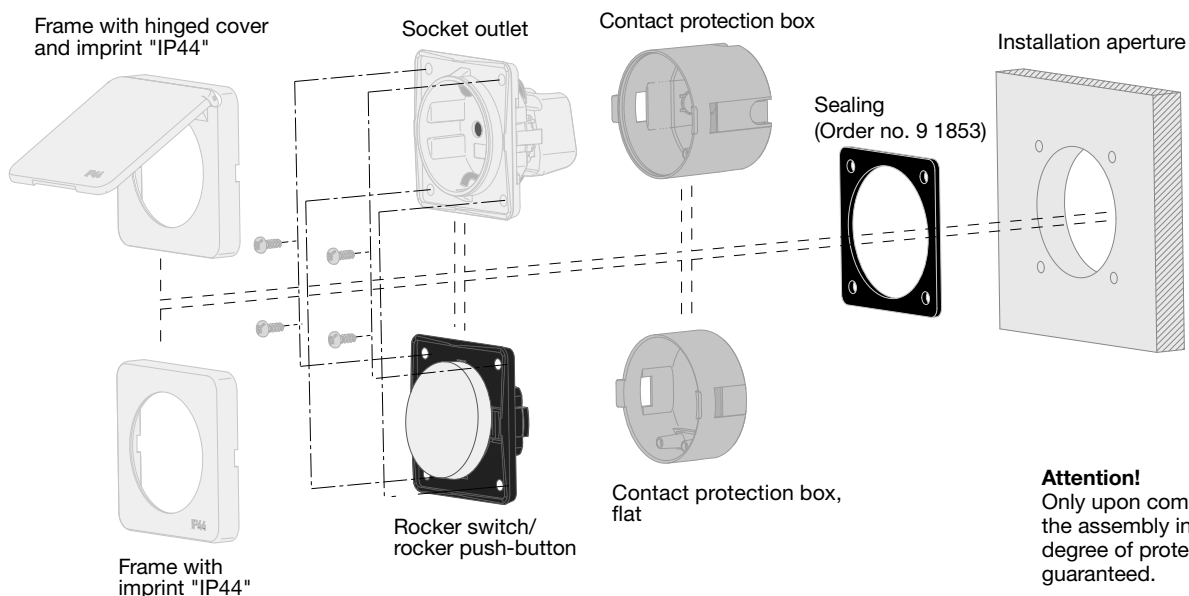
Not suitable for switches/push-buttons with split rocker.

- for SCHUKO socket outlets and socket outlets with earthing pin (frame with hinged cover "IP 44" and contact protection box required!)
- for rocker switch/rocker push-button (frame IP 44 and contact protection box required!)

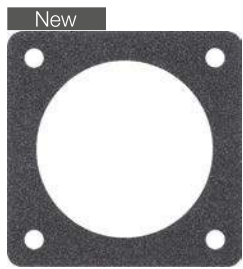
Suitable for	Order no.	Page
SCHUKO socket outlets with plug-in terminals		from p. 22
SCHUKO socket outlets with screw terminals		from p. 23
Socket outlets with earthing pin and screw terminals		from p. 41
Rocker switch		from p. 54
Rocker push-button		from p. 58
Frame with imprint "IP44"		from p. 89
Frame with hinged cover and imprint "IP44"		from p. 89

Design	Order no.	PU
black	8 1853	200
black	9 1853	10

Assembly instructions of IP44 covers



Attention!
Only upon compliance with the assembly instructions the degree of protection IP44 is guaranteed.



Sealing IP44 for socket outlets with insulation-piercing terminals

Material thickness 2.5 mm
Cut-out Ø 41 mm

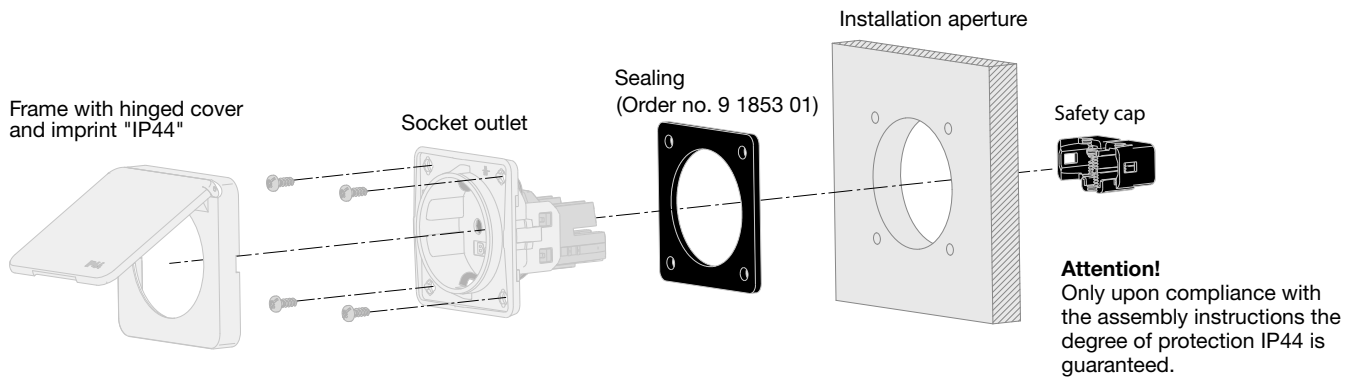
Sealing material:
Cellular rubber, closed cell (EPDM-S), permanently elastic whilst also higher strength. For optimum sealing effect and improved material behaviour during installation.

- for SCHUKO socket outlets with insulation-piercing terminals (frame with hinged cover "IP44" required!)
- for socket outlets with earthing pin and insulation-piercing terminals (frame with hinged cover "IP44" required!)

Suitable for	Order no.	Page
SCHUKO socket outlets with insulation-piercing terminals		from p. 24
Socket outlets with earthing pin and insulation-piercing terminals		from p. 42
Frame with hinged cover and imprint "IP44"		from p. 89
Design	Order no.	PU
black	★ 8 1853 01	200
black	★ 9 1853 01	10

Assembly instructions for IP44 socket outlets with insulation-piercing terminals

Not suitable for contact protection boxes!



Berker Integro
Design Classic

Surface-mounted housing



Surface-mounted housing high

Dimensions (W x H x D) 59.5 x 59.5 x 41 mm

- with cable entry
- for mounting on combustible base surface
- to built-on installation of devices

Suitable for	Order no.	Page
Wire and duct entry	1813 ..	66
Design	Order no.	PU

without strain relief

brown glossy	9 1151 01	10
grey glossy	9 1151 07	10
polar white glossy	9 1151 09	10
black glossy	9 1151 05	10



Surface-mounted housing flat

▶ 214

Design	Order no.	PU
Dimensions (W x H x D)	59.5 x 59.5 x 16 mm	
		– for mounting on combustible base surface – to built-on installation of switches and push-buttons
without strain relief		
brown glossy	9 1152 21	10
grey glossy	9 1152 27	10
polar white glossy	9 1152 29	10
black glossy	9 1152 25	10
with 1 strain relief		
polar white glossy	8 1152 59	200
polar white glossy	9 1152 59	10
black glossy	9 1152 55	10
with 2 strain reliefs		
polar white glossy	9 1152 69	10
black glossy	9 1152 65	10



Surface-mounted spacer ring

▶ 214

Design	Order no.	PU
Dimensions (W x H x D)	59.5 x 59.5 x 10 mm	
		– for the reduction of the installation depth of the devices and surf.-mount. of switches and push-b.
brown matt	9 1825 11	10
grey matt	9 1825 06	10
polar white matt	9 1825 12	10
black matt	9 1825 15	10

Berker Integro Design Pure





Berker Integro
Design Pure

Berker Integro Design Pure

The purist for built-in installations. Consistently clear, angular and with an absolutely planar surface – modern and compact. And consequently the ideal component for aesthetic ambience. The granite-black, silk-matt lacquered design guarantees a special operating experience. An innovative refined surface lacquer offers exceptional haptics for the connoisseur.



04

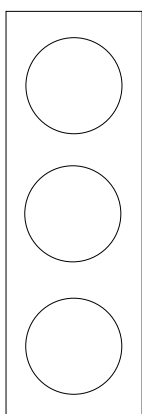
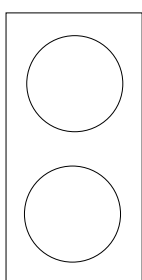
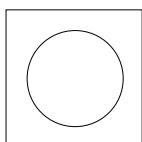
Page

Frames	100
Surface-mounted housing	100

Product examples

Berker Integro

Design Pure



Dimensions

Frame 1-3gang (W x H)
1-gang: 59.5 x 59.5 mm
2-gang: 59.5 x 119 mm
3-gang: 59.5 x 178.5 mm





Frames/Covers/ Central inserts

Plastic, glossy

polar white similar to RAL 9010
black similar to RAL 9005

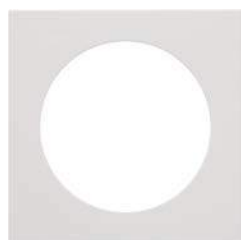
Plastic, galvanised

chrome glossy similar to RAL 9023
chrome matt similar to RAL 9006

Plastic, lacquered

granite black, silk matt similar to RAL 7026
stainless steel similar to RAL 9022

Frames



Frame 1gang

▶ 214

Design	Order no.	PU
polar white glossy	9 1975 25 09	10
black glossy	9 1975 25 10	10
granite black, silk matt, lacquered	9 1975 25 45	10
chrome matt, galvanised	9 1975 25 28	10
chrome glossy, galvanised	9 1975 25 18	10
stainless steel matt, lacquered	9 1975 25 24	10



Frame 2gang

▶ 214

– for vertical and horizontal mounting

Design	Order no.	PU
polar white glossy	9 1976 25 09	2
black glossy	9 1976 25 10	2
granite black, silk matt, lacquered	9 1976 25 45	2
chrome matt, galvanised	9 1976 25 28	2
chrome glossy, galvanised	9 1976 25 18	2
stainless steel matt, lacquered	9 1976 25 24	2



Frame 3gang

▶ 214

– for vertical and horizontal mounting

Design	Order no.	PU
polar white glossy	9 1978 25 09	2
black glossy	9 1978 25 10	2
granite black, silk matt, lacquered	9 1978 25 45	2
chrome matt, galvanised	9 1978 25 28	2
chrome glossy, galvanised	9 1978 25 18	2
stainless steel matt, lacquered	9 1978 25 24	2

Frames with hinged cover



Frame with hinged cover

▶ 214

– for covering of socket outlets

Design	Order no.	PU
polar white glossy	9 1828 25 09	10
black glossy	9 1828 25 10	10
granite black, silk matt, lacquered	9 1828 25 45	10
chrome matt, galvanised	9 1828 25 28	10
chrome glossy, galvanised	9 1828 25 18	10
Stainless steel matt, lacquered	9 1828 25 24	10

Surface-mounted housing



Surface-mounted housing high

▶ 214

Dimensions (W x H x D) 59.5 x 59.5 x 41 mm

- with cable entry
- for mounting on combustible base surface
- to built-on installation of devices

Suitable for Wire and duct entry Order no. 1813 .. Page 66

Design Order no. PU

without strain relief

polar white glossy	9 1151 25 09	10
black glossy	9 1151 25 10	10

with strain relief

polar white glossy	9 1151 25 19	10
black glossy	9 1151 25 20	10





Surface-mounted housing flat

▶ 214

Dimensions (W x H x D) 59.5 x 59.5 x 16 mm – for mounting on combustible base surface
– to built-on installation of switches and push-buttons

Design Order no. PU

without strain relief

polar white glossy **9 1152 25 29** 10

with 1 strain relief

polar white glossy **9 1152 25 59** 10



with 2 strain reliefs

polar white glossy **9 1152 25 69** 10



Surface-mounted spacer ring

▶ 214

Dimensions (W x H x D) 59.5 x 59.5 x 10 mm – for the reduction of the installation depth of the devices and surf.-mount. of switches and push-b.

Design Order no. PU

polar white glossy **9 1825 25 12** 10

black glossy **9 1825 25 10** 10

chrome matt, lacquered **9 1825 25 68** 10

Stainless steel matt, lacquered **9 1825 25 24** 10

Berker Design Twin



Berker Design Twin

Functional and flexible: that's the Design Twin from Berker. This series can be used anywhere where extremely shallow installation depths and minimal dimensions are important. The timeless design allows you to integrate the Design Twin into any modern ambience. And the decor rings offer you the option of integrating articles from the Integro range into the Design Twin.



05

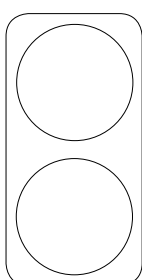
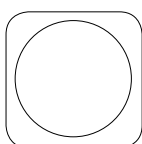
Page

SCHUKO socket outlets	108
Socket outlets with earthing pin	109
Switch	109
Frames	110

Product examples

Berker

Design Twin



Dimensions

Frames 1gang and 2gang (W x H)

1-gang: 59.5 x 59.5 mm

2-gang: 59.5 x 119 mm





Frames/inserts

Plastic, glossy

black similar to RAL 9005
Polar white similar to RAL 9010

Plastic, lacquered

Chrome matt similar to RAL 9006

plastic, galvanised

Chrome matt similar to RAL 9006
Chrome glossy similar to RAL 9023



SCHUKO socket outlets



SCHUKO socket outlet

- screw terminals



Rated voltage 250 V~
Rated current 16 A

Connection terminals according to IEC 60884-1

Suitable for

- Contact protection box Ø 45 mm
- Contact protection box Ø 49 mm
- Contact protection box 2gang
- Contact protection box 3gang

Order no.

- 9 1820 .. 63
- 9 188 .. 63
- 9 191 .. 63
- 9 1933 64

Design	Order no.	PU
polar white glossy	8 4196 09	200
black glossy	8 4196 05	200
polar white glossy	9 4196 09	10
black glossy	9 4196 05	10



SCHUKO socket outlet

- enhanced contact protection
- screw terminals



Rated voltage 250 V~
Rated current 16 A

Connection terminals according to IEC 60884-1
Enhanced contact protection (child protection) according to IEC 60884-1

Suitable for

- Contact protection box Ø 45 mm
- Contact protection box Ø 49 mm
- Contact protection box 2gang
- Contact protection box 3gang

Order no.

- 9 1820 .. 63
- 9 188 .. 63
- 9 191 .. 63
- 9 1933 64

Design	Order no.	PU
polar white glossy	9 4198 09	10
black glossy	9 4198 05	10



SCHUKO socket outlet with hinged cover

- screw terminals



Rated voltage 250 V~
Rated current 16 A

Connection terminals according to IEC 60884-1

- when opening hinged cover, it can be arrested in end position

Suitable for

- Contact protection box Ø 45 mm
- Contact protection box Ø 49 mm
- Contact protection box 2gang
- Contact protection box 3gang

Order no.

- 9 1820 .. 63
- 9 188 .. 63
- 9 191 .. 63
- 9 1933 64

Design	Order no.	PU
polar white glossy	9 4197 09	10
black glossy	9 4197 05	10
black glossy, hinged cover in chrome matt, galvanised	9 4197 28	10



SCHUKO socket outlet with hinged cover

- enhanced contact protection
- screw terminals



Rated voltage 250 V~
Rated current 16 A

Connection terminals according to IEC 60884-1
Enhanced contact protection (child protection) according to IEC 60884-1

- when opening hinged cover, it can be arrested in end position

Suitable for

- Contact protection box Ø 45 mm
- Contact protection box Ø 49 mm
- Contact protection box 2gang
- Contact protection box 3gang

Order no.

- 9 1820 .. 63
- 9 188 .. 63
- 9 191 .. 63
- 9 1933 64

Design	Order no.	PU
polar white glossy	9 4199 09	10
black glossy	9 4199 05	10
black glossy, hinged cover in chrome glossy, galvanised	9 4199 18	10
black glossy, hinged cover in chrome matt, galvanised	9 4199 28	10



Socket outlets with earthing pin



Socket outlet with earthing pin

- enhanced contact protection
- screw terminals



Rated voltage 250 V~
Rated current 16 A

Connection terminals according to IEC 60884-1
Enhanced contact protection (child protection) according to IEC 60884-1

- 2pole + earth

Suitable for	Order no.	Page
Contact protection box Ø 45 mm	9 1820 ..	63
Contact protection box Ø 49 mm	9 188 ..	63
Contact protection box 2gang	9 191 ..	63
Contact protection box 3gang	9 1933	64



Design	Order no.	PU
polar white glossy	9 6198 09	10
black glossy	9 6198 05	10



Socket outlet with earthing pin and hinged cover

- enhanced contact protection
- screw terminals



Rated voltage 250 V~
Rated current 16 A

Connection terminals according to IEC 60884-1
Enhanced contact protection (child protection) according to IEC 60884-1

- when opening hinged cover, it can be arrested in end position
- 2pole + earth

Suitable for	Order no.	Page
Contact protection box Ø 45 mm	9 1820 ..	63
Contact protection box Ø 49 mm	9 188 ..	63
Contact protection box 2gang	9 191 ..	63
Contact protection box 3gang	9 1933	64



Design	Order no.	PU
black glossy	9 6199 05	10
black glossy, hinged cover in chrome glossy, galvanised	9 6199 18	10
black glossy, hinged cover in chrome matt, galvanised	9 6199 28	10

Switch



On/off switch

Rated voltage 250 V~
Switching current 16 AX

- with screw terminals

Suitable for	Order no.	Page
Contact protection box Ø 45 mm, flat	9 1820 0 ..	63
Contact protection box Ø 45 mm	9 1820 ..	63
Contact protection box Ø 49 mm	9 188 ..	63
Contact protection box 2gang	9 191 ..	63
Contact protection box 3gang	9 1933	64
Optional		
Frame 1gang, with 19 mm edge	9 1943 ..	110
Frame 2gang, with 19 mm edge	9 1944 0 ..	111

Design	Order no.	PU
polar white glossy	8 3681 09	200
black glossy	8 3681 05	200



polar white glossy	9 3681 09	10
black glossy	9 3681 05	10
chrome glossy, galvanised	9 3681 18	10
chrome matt, lacquered	9 3681 68	10



Change-over switch

Rated voltage
Switching current

250 V~ – with screw terminals
16 AX

Suitable for	Order no.	Page
Contact protection box Ø 45 mm, flat	9 1820 0 ..	63
Contact protection box Ø 45 mm	9 1820 ..	63
Contact protection box Ø 49 mm	9 188 ..	63
Contact protection box 2gang	9 191 ..	63
Contact protection box 3gang	9 1933	64
Optional		
Frame 1gang, with 19 mm edge	9 1943 ..	110
Frame 2gang, with 19 mm edge	9 1944 0 ..	111

Design	Order no.	PU
polar white glossy	9 3686 09	10
black glossy	9 3686 05	10
chrome glossy, galvanised	9 3686 18	10
chrome matt, galvanised	9 3686 28	10



On/off switch 2pole with imprint "0"

Rated voltage
Switching current

250 V~ – with screw terminals
16 AX

For switching of 16 A socket outlets, for example.

Suitable for	Order no.	Page
Contact protection box Ø 45 mm, flat	9 1820 0 ..	63
Contact protection box Ø 45 mm	9 1820 ..	63
Contact protection box Ø 49 mm	9 188 ..	63
Contact protection box 2gang	9 191 ..	63
Contact protection box 3gang	9 1933	64
Optional		
Frame 1gang, with 19 mm edge	9 1943 ..	110
Frame 2gang, with 19 mm edge	9 1944 0 ..	111

Design	Order no.	PU
polar white glossy	9 3682 09	10
black glossy	9 3682 05	10



Frames



Frame 1gang

Design	Order no.	PU
polar white glossy	9 1941 09	10
black glossy	9 1941 05	10
chrome glossy, galvanised	9 1941 18	10
chrome matt, galvanised	9 1941 28	10



Frame 2gang

– for vertical and horizontal mounting

Design	Order no.	PU
polar white glossy	9 1942 09	2
black glossy	9 1942 05	2
chrome glossy, galvanised	9 1942 18	2
chrome matt, galvanised	9 1942 28	2



Frame 1gang, with 19 mm edge

Reduction of installation depth by 10 mm – for the reduction of the installation depth of the devices and surf.-mount. of switches and push-b.
Use only in conjunction with spacer ring order no. 9 1936

Suitable for	Order no.	Page from p.
Switch		109
Spacer ring for frames with 19 mm edge	9 1936	111

Design	Order no.	PU
polar white glossy	9 1943 09	10
black glossy	9 1943 05	10
chrome glossy, galvanised	9 1943 18	10



Frame 2gang, with 19 mm edge

Reduction of installation depth by 10 mm
Use only in conjunction with spacer ring order no. 9 1936

- for vertical and horizontal mounting
- for the reduction of the installation depth of the devices and surf.-mount. of switches and push-b.

Design	Suitable for	Order no.	Page
	Switch		from p. 109
	Spacer ring for frames with 19 mm edge	9 1936	111
	Order no.		PU
polar white glossy		9 1944 09	2
black glossy		9 1944 05	2



Spacer ring for frames with 19 mm edge

Reduction of installation depth by 10 mm

- for the reduction of the installation depth of the devices and surf.-mount. of switches and push-b.

Design	Suitable for	Order no.	Page
	Frame 1gang, with 19 mm edge	9 1943 ..	110
	Frame 2gang, with 19 mm edge	9 1944 0 ..	111
	Order no.		PU
black glossy		9 1936	10



Adapter ring for Twin/Twin-Box

For use with all devices from the Berker Integro range with the exception of:

- rotary dimmers and rotary potentiometers
- USB 230 V charging sockets
- socket outlets with British Standard earthing contact
- socket outlets with insulation-piercing terminals
- socket outlets with control LED

Design	Order no.	PU
anthracite matt, lacquered	9 1969 06	10
grey glossy	9 1969 07	10
polar white glossy	9 1969 09	10
black glossy	9 1969 05	10
chrome glossy	9 1969 18	10

Berker Twin-Box





Berker Twin-Box

Corners present a special challenge with each electrical installation. Normal switches and sockets cannot just be mounted here – the Berker Twin-Box designed as a 2-gang combination means that corner solutions are no longer a problem. The Twin-Box allows quick installations in any corner. And the entire range of functional Berker Integro module inserts is available for equipping the Berker Twin-Box.



06

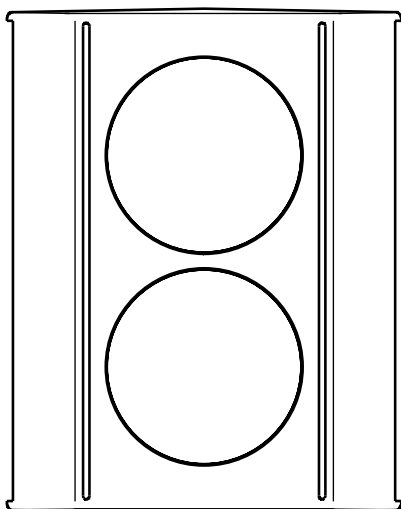
Page

Combinations socket outlets	121
Combinations USB charging socket/socket outlet	123
Combinations switch/socket outlet	123
Accessories	127

Product examples

Berker

Twin-Box



Dimensions

For dimensions and further technical data please refer to Page 212





Combinations/empty housing/ adapter rings

Plastic, glossy

Polar white similar to RAL 9010
Grey similar to RAL 7038
Black similar to RAL 9005

Plastic, galvanised

Chrome matt similar to RAL 9006

Plastic, lacquered

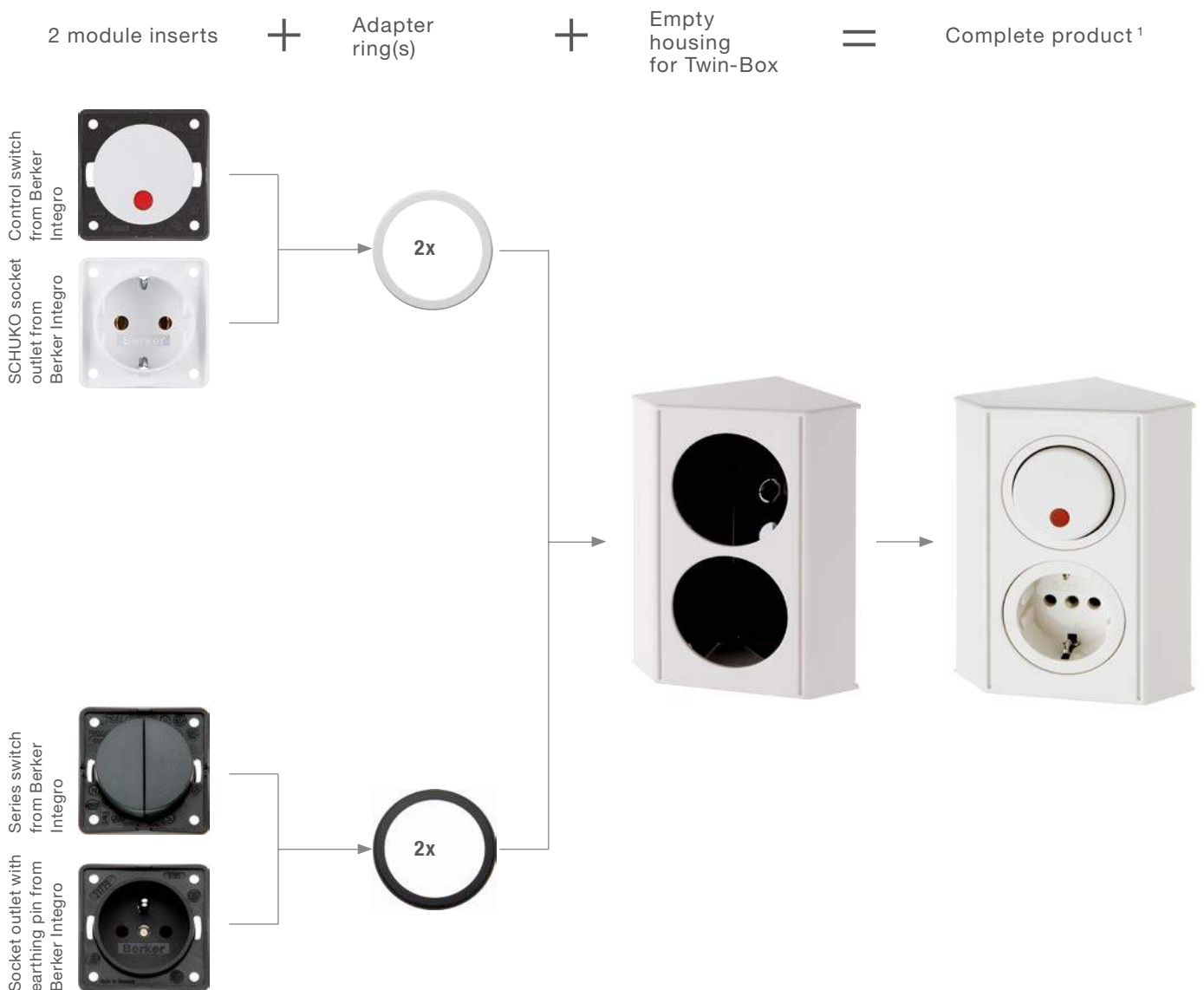
Anthracite similar to RAL 7021
Chrome matt similar to RAL 9006

Berker Twin-Box

Individual appliance combination

Berker Twin-Box can be individually combined. The large selection of matching Berker Integro module inserts offers a wealth of combination options. Simply install two module inserts, each with an adapter ring, in the

desired colour (order no. 9 1969..) in an empty housing for Twin-Box (order no. 1948 9..). The scope of delivery of the housing contains flat-headed screws, size M3 for rear-side insert fastening and a strain relief.



Additional basic variants module inserts:
 – international socket outlets
 – Rocker push-buttons

i Only combine either mains voltage or low voltage appliances in a Twin-Box!

¹Complete product only shown as an example

Electrical resources in rooms with bathtubs or showers

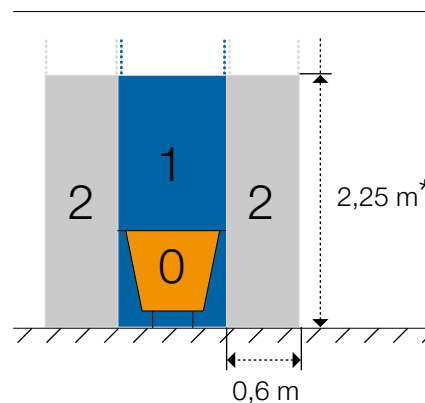
Spaces in apartments or hotel rooms with a bathtub or shower require special safety measures during the installation and use of electrical resources (e.g. switches, socket outlets). Although not designated as wet

rooms, areas near bathtubs and showers represent a greater potential for danger.

To prevent the risk of an electric shock, three areas with different protection requirements are specified:

Areas with bathtubs

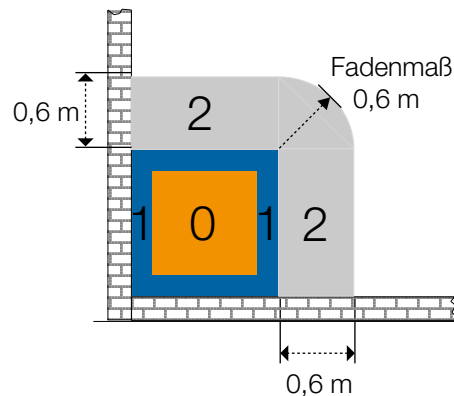
- Area 0
- Area 1
- Area 2



* Areas 1 and 2 expanded upwards to the highest water outlet, if position above 2.25 m

Areas with showers

- Area 0
- Area 1
- Area 2



No 230 V sockets may be installed in any of the three areas.

Outside the areas, the installation of 230 V-resources (e.g. mounted in a Berker Twin-Box) is permitted, providing that the corresponding circuit is secured via RCD (error current safety device with a rated different current $I_{\Delta N} \leq 30$ mA). No additional water protection

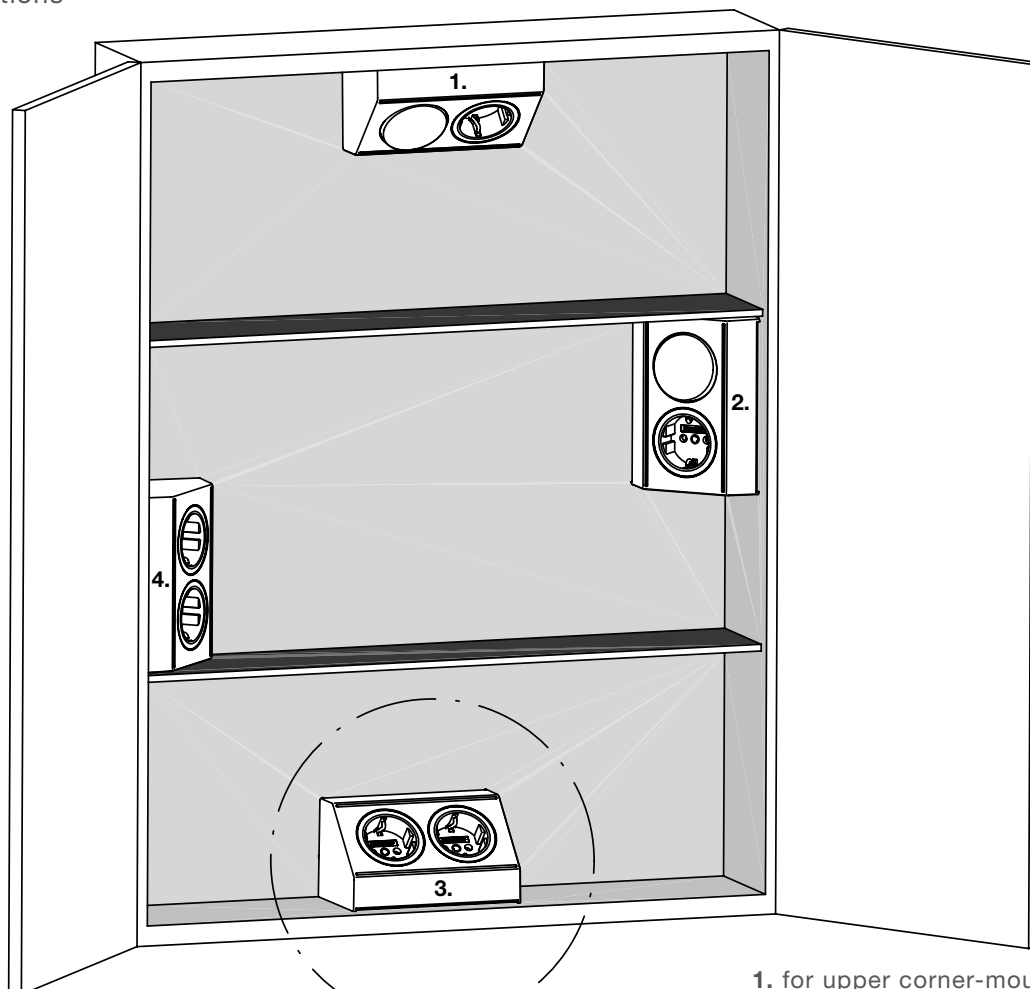
is required as with, for example, devices with degree of protection IP44. In order to prevent the ingress of water into socket outlets and switches, we recommend using IP44 products outside the three areas.

i The exact limits of the areas differ according to the country of use. Therefore, please refer to the current country-specific standards for the appli-

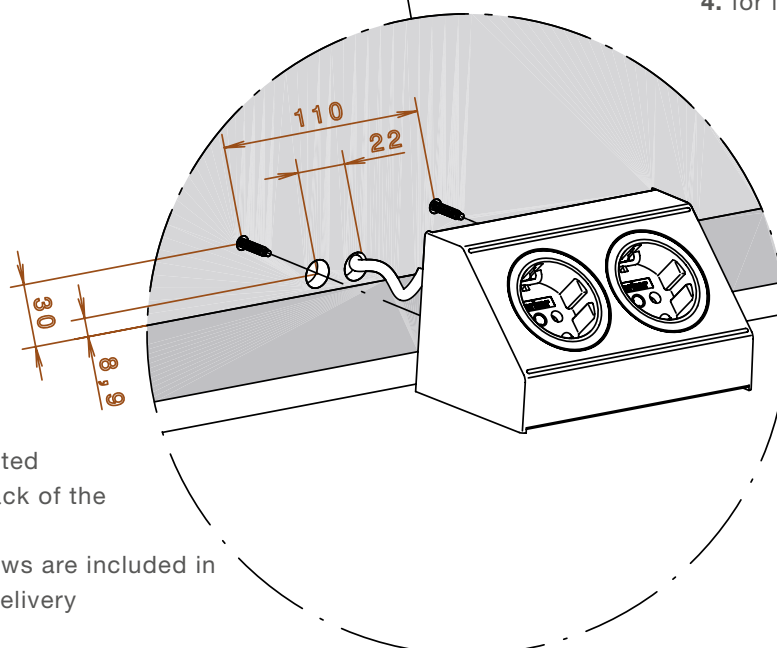
cable regulations. The construction regulations here apply to Germany VDE 0100-701.

Berker Twin-Box

Mounting orientations



1. for upper corner-mounting
2. for right corner-mounting
3. for lower corner-mounting
4. for left corner-mounting



- Cables are routed through the back of the furniture
- Fastening screws are included in the scope of delivery

Combinations socket outlets



Twin-Box with SCHUKO socket outlets

- screw terminals



Rated voltage 250 V~
 Rated current 16 A
 Lead 3 x 1.5 mm²
 Line length ≈ 1.5 m

Connection terminals according to IEC 60884-1

- housings in polar white glossy
- socket outlets in polar white glossy
- with fixing screws
- pre-assembled, with 3-core cable
- welded wires
- for vertical corner-mounting
- for screw cover on backside

▶ 215



Design	Order no.	PU
for left corner-mounting	1948 02	1



Twin-Box with SCHUKO socket outlets

- screw terminals



Rated voltage 250 V~
 Rated current 16 A
 Lead 3 x 1.5 mm²
 Line length ≈ 1.5 m

Connection terminals according to IEC 60884-1

- housing in chrome matt, lacquered
- sockets in black glossy
- with fixing screws
- pre-assembled, with 3-core cable
- welded wires
- for vertical corner-mounting
- for screw cover on backside

▶ 215



Design	Order no.	PU
for right corner-mounting	1948 18	1



Twin-Box with SCHUKO socket outlets

- screw terminals



Rated voltage 250 V~
 Rated current 16 A
 Lead 3 x 1.5 mm²
 Line length ≈ 1.5 m

Connection terminals according to IEC 60884-1

- housing in chrome matt, lacquered
- sockets in black glossy
- with fixing screws
- pre-assembled, with 3-core cable
- welded wires
- for horizontal corner-mounting
- for screw cover on backside

▶ 215



Design	Order no.	PU
for lower corner-mounting	1948 30	1



Twin-Box with SCHUKO socket outlets

- screw terminals



Rated voltage 250 V~
 Rated current 16 A
 Lead 3 x 1.5 mm²
 Line length ≈ 1 m

Connection terminals according to IEC 60884-1

- housing in chrome matt, lacquered
- sockets in black glossy
- with Wieland plug GST18i3
- with fixing screws
- pre-assembled, with 3-core cable
- welded wires
- for horizontal corner-mounting
- for screw cover on backside

▶ 215



Design	Order no.	PU
for lower corner-mounting	1948 21	1



Twin-Box with socket outlets with earthing pin

- enhanced contact protection
- screw terminals



Rated voltage	250 V~
Rated current	16 A
Lead	3 x 2.5 mm ²
Line length	≈ 1.5 m

Connection terminals according to IEC 60884-1
Enhanced contact protection (child protection) according to IEC 60884-1

- housing in chrome matt, lacquered
- sockets in black glossy
- with fixing screws
- pre-assembled, with 3-core cable
- welded wires
- for vertical corner-mounting
- for screw cover on backside

▶ 215



Design	Order no.	PU
for left corner-mounting	1948 25	24



Twin-Box with socket outlets with earthing pin

- enhanced contact protection
- screw terminals



Rated voltage	250 V~
Rated current	16 A
Lead	3 x 2.5 mm ²
Line length	≈ 1.5 m

Connection terminals according to IEC 60884-1
Enhanced contact protection (child protection) according to IEC 60884-1

- housing in chrome matt, lacquered
- sockets in black glossy
- with fixing screws
- pre-assembled, with 3-core cable
- welded wires
- for vertical corner-mounting
- for screw cover on backside

▶ 215



Design	Order no.	PU
for right corner-mounting	1948 19	24



Twin-Box with socket outlets with earthing pin

- enhanced contact protection
- screw terminals



Rated voltage	250 V~
Rated current	16 A
Lead	3 x 1.5 mm ²
Line length	≈ 1 m

Connection terminals according to IEC 60884-1
Enhanced contact protection (child protection) according to IEC 60884-1

- housing in chrome matt, lacquered
- sockets in black glossy
- with Wieland plug GST18i3
- with fixing screws
- pre-assembled, with 3-core cable
- for horizontal corner-mounting
- for screw cover on backside

▶ 215



Design	Order no.	PU
for lower corner-mounting	1948 23	1

Combination USB charging socket/socket outlet



Twin-Box with USB socket outlet/SCHUKO socket outlet

▶ 215

- screw terminals



Output voltage	5 V= (± 5 %)
Output current per socket	max. 3 A
Output current when operating both sockets	max. 3 A
Lead	3 x 1.5 mm ²
Line length	≈ 1.5 m
Rated voltage socket outlet	230 V~
Rated current socket outlet	16 A

- housing in chrome matt, lacquered
- socket outlets and adapter rings in anthracite, matt
- for charging mobile end devices via USB cable
- with 2 USB sockets type A
- pre-assembled, with 3-core cable
- welded wires
- for vertical corner-mounting
- for screw cover on backside
- with fixing screws

USB connections according to IEC 62680-3

Design	Order no.	PU
for right corner-mounting	1948 29	1



Twin-Box with USB socket outlet/socket outlet with earthing pin

▶ 215

- enhanced contact protection
- screw terminals



Output voltage	5 V= (± 5 %)
Output current per socket	max. 3 A
Output current when operating both sockets	max. 3 A
Lead	3 x 2.5 mm ²
Line length	≈ 1.5 m
Rated voltage socket outlet	250 V~
Rated current socket outlet	16 A

- housing in chrome matt, lacquered
- socket outlets and adapter rings in anthracite, matt
- for charging mobile end devices via USB cable
- with 2 USB sockets type A
- pre-assembled, with 3-core cable
- welded wires
- for vertical corner-mounting
- for screw cover on backside
- with fixing screws

USB connections according to IEC 62680-3

Design	Order no.	PU
for right corner-mounting	1948 28	1

Combinations switch/socket outlet



Twin-Box with on/off switch/socket outlet SCHUKO

▶ 215

- screw terminals



Rated voltage	250 V~
Rated current	16 A
Switching current	16 AX
Lead	3 x 1.5 mm ²
Light fitting cable	2 x 0.75 mm ²
Line length	≈ 1.5 m

- housings in polar white glossy
- socket outlets and switches in polar white glossy
- with fixing screws
- pre-assembled, with 3-core lead and 2-core light fitting wire
- welded wires
- for vertical corner-mounting
- for screw cover on backside

Connection terminals according to IEC 60884-1

Design	Order no.	PU
for right corner-mounting	1948 08	1



Twin-Box with on/off switch/socket outlet SCHUKO

▶ 215

- screw terminals



Rated voltage	250 V~
Rated current	16 A
Switching current	16 AX
Lead	3 x 1.5 mm ²
Light fitting cable	2 x 0.75 mm ²
Line length	≈ 1.5 m

- housing in chrome matt, lacquered
- switches in chrome matt, lacquered
- socket outlet in black, glossy
- with fixing screws
- pre-assembled, with 3-core lead and 2-core light fitting wire
- welded wires
- for vertical corner-mounting
- for screw cover on backside

Connection terminals according to IEC 60884-1

Design	Order no.	PU
for right corner-mounting	1948 13	1



Twin-Box with on/off switch/socket outlet SCHUKO

▶ 215

- screw terminals



Rated voltage	250 V~
Rated current	16 A
Switching current	16 AX
Lead	3 x 1.5 mm ²
Light fitting cable	3 x 0.75 mm ²
Line length	≈ 1.5 m

- housing in chrome matt, lacquered
- switches in chrome matt, lacquered
- socket outlet in black, glossy
- with fixing screws
- confectioned, with 3-core lead and 3-core light fitting wire
- welded wires
- for vertical corner-mounting
- for screw cover on backside

Connection terminals according to IEC 60884-1

Design	Order no.	PU
for right corner-mounting	1948 17	1



Twin-Box with on/off switch/socket outlet SCHUKO

▶ 215

- screw terminals



Rated voltage	250 V~
Rated current	16 A
Switching current	16 AX
Lead	3 x 1.5 mm ²
Light fitting cable	3 x 1.5 mm ²
Line length	≈ 1.5 m

- housing in chrome matt, lacquered
- switches in chrome matt, lacquered
- socket outlet in black, glossy
- with fixing screws
- confectioned, with 3-core lead and 3-core light fitting wire
- welded wires
- for vertical corner-mounting
- for screw cover on backside

Connection terminals according to IEC 60884-1

Design	Order no.	PU
for right corner-mounting	1948 27	24



Twin-Box with on/off switch/socket outlet SCHUKO

▶ 215

- screw terminals



Rated voltage	250 V~
Rated current	16 A
Switching current	16 AX
Length lead	≈ 1 m
Lead	4 x 1.5 mm ²
Length light fitting cable	≈ 1.5 m
Light fitting cable	2 x 0.75 mm ²

- housings in grey glossy
- socket outlets and switches in black glossy
- with fixing screws
- pre-assembled, with 4-core lead (compacted cable ends) and 2-core cable with mini coupling for lamp
- for horizontal corner-mounting
- for screw cover on backside

Connection terminals according to IEC 60884-1

Design	Order no.	PU
for upper corner-mounting	1948 12	1



Twin-Box with switchable socket outlet SCHUKO

▶ 215

- screw terminals



Rated voltage	250 V~
Rated current	16 A
Switching current	16 AX
Lead	3 x 1.5 mm ²
Line length	≈ 1 m

- housing in chrome matt, lacquered
- socket outlets and switches in black glossy
- with rocker switch 2-pole for switching on/off the socket outlet
- with Wieland plug GST18i3
- with fixing screws
- pre-assembled, with 3-core cable
- for horizontal corner-mounting
- for screw cover on backside

Connection terminals according to IEC 60884-1

Design	Order no.	PU
for lower corner-mounting	1948 22	1



Twin-Box with series switch/SCHUKO socket outlet

▶ 215

- screw terminals



Rated voltage	250 V~
Rated current	16 A
Switching current	16 AX
Lead	3 x 1.5 mm ²
Light fitting cable	2 x 1.5 mm ²
Line length	≈ 1.5 m

- housings in polar white glossy
- socket outlets and switches in polar white glossy
- with fixing screws
- pre-assembled, with 3-core lead and 2-core light fitting wire
- welded wires
- for vertical corner-mounting
- for screw cover on backside

Connection terminals according to IEC 60884-1

Design	Order no.	PU
for right corner-mounting	1948 14	1



Twin-Box with on/off switch/socket outlet with earthing pin

▶ 215

- enhanced contact protection
- screw terminals



Rated voltage	250 V~
Rated current	16 A
Switching current	16 AX
Lead	3 x 1.5 mm ²
Light fitting cable	2 x 0.75 mm ²
Line length	≈ 1.5 m

- housing in chrome matt, lacquered
- switches in chrome matt, lacquered
- socket outlet in black, glossy
- with fixing screws
- pre-assembled, with 3-core lead and 2-core light fitting wire
- welded wires
- for vertical corner-mounting
- for screw cover on backside

Connection terminals according to IEC 60884-1

Enhanced contact protection (child protection) according to IEC 60884-1

Design	Order no.	PU
for right corner-mounting	1948 20	1



Twin-Box with on/off switch/socket outlet with earthing pin

▶ 215

- enhanced contact protection
- screw terminals



Rated voltage	250 V~
Rated current	16 A
Switching current	16 AX
Lead	3 x 2.5 mm ²
Light fitting cable	3 x 1.5 mm ²
Line length	≈ 1.5 m

- housing in chrome matt, lacquered
- switches in chrome matt, lacquered
- socket outlet in black, glossy
- with fixing screws
- confectioned, with 3-core lead and 3-core light fitting wire
- welded wires
- for vertical corner-mounting
- for screw cover on backside

Connection terminals according to IEC 60884-1
Enhanced contact protection (child protection) according to IEC 60884-1

Design	Order no.	PU
for right corner-mounting	1948 26	1



Twin-Box with on/off switch/socket outlet with earthing pin

▶ 215

- enhanced contact protection
- screw terminals



Rated voltage	250 V~
Rated current	16 A
Switching current	16 AX
Lead	3 x 2.5 mm ²
Light fitting cable	3 x 2.5 mm ²
Line length	≈ 1.5 m

- housing in chrome matt, lacquered
- switches in chrome matt, lacquered
- socket outlet in black, glossy
- with fixing screws
- confectioned, with 3-core lead and 3-core light fitting wire
- welded wires
- for vertical corner-mounting
- for screw cover on backside

Connection terminals according to IEC 60884-1
Enhanced contact protection (child protection) according to IEC 60884-1

Design	Order no.	PU
for right corner-mounting	1948 16	1



Twin-Box with switchable socket outlet with earthing pin

▶ 215

- enhanced contact protection
- screw terminals



Rated voltage	250 V~
Rated current	16 A
Switching current	16 AX
Lead	3 x 1.5 mm ²
Line length	≈ 1 m

- housing in chrome matt, lacquered
- socket outlets and switches in black glossy
- with rocker switch 2-pole for switching on/off the socket outlet
- with Wieland plug GST18i3
- with fixing screws
- pre-assembled, with 3-core cable
- for horizontal corner-mounting
- for screw cover on backside

Connection terminals according to IEC 60884-1
Enhanced contact protection (child protection) according to IEC 60884-1

Design	Order no.	PU
for lower corner-mounting	1948 24	1

Accessories



Empty housing for Twin/Twin-Box

▶ 215

Appliance opening Ø

51.5 mm

- for vertical and horizontal mounting
- floor and rear wall in black
- with strain relief
- with fixing and mounting screws
- with 2 contact protection boxes for insulation protection

Caution!

Only combine either mains voltage or low voltage appliances in a Twin-Box.

Design	Order no.	PU
anthracite matt, lacquered	1948 93	1
grey glossy	1948 98	1
polar white glossy	1948 99	1
chrome matt, lacquered	1948 94	1
chrome matt, galvanised	1948 96	1



Adapter ring for Twin/Twin-Box

For use with all devices from the Berker Integro range with the exception of:

- rotary dimmers and rotary potentiometers
- USB 230 V charging sockets
- socket outlets with British Standard earthing contact
- socket outlets with insulation-piercing terminals
- socket outlets with control LED

Design	Order no.	PU
anthracite matt, lacquered	9 1969 06	10
grey glossy	9 1969 07	10
polar white glossy	9 1969 09	10
black glossy	9 1969 05	10
chrome glossy	9 1969 18	10

**07 Berker Integro
Box**



130

**08 Berker
Built-in socket outlets**



138

**09 Berker
Medicine and laboratory technology**



154

**10 Berker
Solutions**



182

**11 Berker
Inductive charging station**



194

12 Technical information

208

Berker Integro Box





Berker Integro Box

Compact installation dimensions combined with various fastening options offer the user a diverse range of easy options to integrate the Berker Integro Box. Various combination options of frame versions from the Design Flow range, in combination with the complete portfolio of Berker Integro – module inserts, offer a wide range of customised installation options.



07

Page

Integro Box with SCHUKO socket outlet	136
Installation sets	136

Product examples

Berker Integro

Box

Dimensions

For dimensions and further technical data please refer to Page 218



Berker Integro Box with Schuko socket outlet and frame, polar white glossy



Berker Integro Box with Schuko socket outlet, hinged cover and on/off switch, polar white glossy



Integro Box/empty housing

Plastic, glossy
polar white similar to RAL 9010

Plastic, lacquered
Chrome matt similar to RAL 9006



Berker Integro Box with Schuko socket outlet and frame, chrome matt, lacquered



Berker Integro Box with Schuko socket outlet, hinged cover and on/off switch, chrome matt, lacquered

Integro Box with SCHUKO socket outlet



Integro Box with SCHUKO socket outlet

▶ 216

Rated voltage	250 V~	– with SCHUKO socket outlet, pre-assembled with contact protection box
Rated current	16 A	– confectioned, with 3-core cable with conductor sleeves
Lead	3 x 1.5 mm ²	– rear wall in polar white
Line length	≈ 1 m	

Frames/frames with hinged cover exclusively from Berker Integro, design Flow have to be ordered separately to complete the article.

Suitable for	Order no.	Page
Frame 1gang	9 1827 25 ..	74
Frame with hinged cover	9 1828 25 ..	76

Design	Order no.	PU
polar white glossy	1979 01 09	1
chrome matt, lacquered, socket, black, glossy	1979 01 58	1



Integro Box with SCHUKO socket outlet

▶ 216

- on/off switch		– rear wall in polar white
		– with SCHUKO socket outlet, pre-assembled with contact protection box
		– with rocker switch for switching on/off a lamp
		– with insulating plug
		– pre-assembled, with 3-core lead and 2-core light fitting wire, each with conductor sleeves
Rated voltage	250 V~	
Rated current socket outlet	16 A	
Rated current switch	2 A	
Lead	3 x 1.5 mm ²	
Light fitting cable	2 x 0.75 mm ²	
Line length	≈ 1 m	

Frames/frames with hinged cover exclusively from Berker Integro, design Flow have to be ordered separately to complete the article.

Design	Order no.	PU
polar white glossy	1979 11 09	1
chrome matt, lacquered, Socket outlet and switch black glossy	1979 11 58	1

Installation sets



Integro Box mounting set

▶ 216

Frames/frames with hinged cover exclusively from Berker Integro, design Flow have to be ordered separately to complete the article.

- rear wall in polar white
- with contact protection box with double strain relief
- with fixing screws for socket outlet insert

Suitable for	Order no.	Page
SCHUKO socket outlets		from p. 22
Outlets without protective contact		from p. 38
Socket outlets with earthing pin		from p. 41
Socket outlets without earthing contact		from p. 44
Frame 1gang	9 1827 25 ..	74
Frame with hinged cover	9 1828 25 ..	76

Design	Order no.	PU
polar white glossy	1979 00 09	1
chrome matt, lacquered	1979 00 58	1



Integro Box mounting set

▶ 216

- on/off switch



Rated voltage 250 V~
 Rated current switch 2 A
 Conductor cross-section (flexible), with wire end sleeve 0.5 ... 0.75 mm²

- with rocker switch for switching on/off a lamp
- rear wall in polar white
- with contact protection box with double strain relief
- with fixing screws for socket outlet insert
- with insulating plug

Caution!
 Contact protection is only guaranteed if the wire stripping length is 10 mm.

Suitable for	Order no.	Page
SCHUKO socket outlets		from p. 22
Outlets without protective contact		from p. 38
Socket outlets with earthing pin		from p. 41
Socket outlets without earthing contact		from p. 44
Frame 1gang	9 1827 25 ..	74
Frame with hinged cover	9 1828 25 ..	76

Frames/frames with hinged cover exclusively from Berker Integro, design Flow have to be ordered separately to complete the article.

Design	Order no.	PU
polar white glossy	1979 10 09	1
chrome matt, lacquered, Switch black glossy	1979 10 58	1

Berker Built-in socket outlets





Berker
Built-in
socket outlets

Berker

Built-in socket outlets

Laboratory furniture, mirror cabinets, tools, machines – frequently where a power connection is required there is no space remaining for a regular socket outlet. This is why our special built-in socket outlets are designed to be so compact. They satisfy the requirements of a future-oriented electrical installation, and they fit even where space is at a premium. Thanks to the installation-friendly SNAP-IN fastening they can be effortlessly implemented even in difficult installations.



Built-in SCHUKO socket outlets	144
Built-in socket outlets with earthing pin	150
Built-in socket outlets without earthing contact	152

Berker

Built-in socket outlets



Built-in socket outlets	Centre plates		Supplementary features			Con- nection	special fastening		More info									
	Ø 50 mm round	50 x 50 mm	55.5 x 55.5 mm	Hinged cover 50 x 60 mm	Hinged cover 59.5 x 59.5 mm	Enhanced contact protection	Splash-protected - IP44	Imprint "IP44"	Base rotated 180°	Insert rotated 45°	Screw terminal	Plug-in terminal	via supporting ring ¹	via base	via supporting angle	via centre plate	Dimensional drawing Page	Product description Page

Built-in SCHUKO socket outlets

with hinged cover			■								■						219	144
with hinged cover, imprint "IP44"			■				■	■			■						219	144
			■								■						219	144
SNAP IN 0.6–1.5 mm	■										■						219	145
		■									■						219	145
		■ ²									■						219	145
SNAP IN 1.3–2.2 mm			■			■				■	■						219	145
				■			■			■	■						220	146
SNAP IN 2 mm	■										■						219	146
	■										■						220	147
	■										■						220	146
	■										■						220	147
SNAP IN 2.5 mm	■										■						219	147
	■										■						219	147
SNAP IN 3 mm	■										■						219	148
	■	■									■						219	149
	■										■						220	148
SNAP IN 4 mm	■										■						219	149
Special fastening type	■										■			■			220	149
	■	■									■			■			220	149
	■										■			■			221	150
	■										■			■			221	150

Built-in socket outlets with earthing pin

SNAP IN 0.6–1.5 mm	■					■					■						221	150
		■				■					■						221	151
SNAP IN 2.5 mm	■					■					■						221	151
SNAP IN 3 mm		■				■					■						221	151
Special fastenings	■					■					■			■			221	152

Built-in socket outlets without earthing contact

SNAP IN 3 mm		■				■					■						221	152
--------------	--	---	--	--	--	---	--	--	--	--	---	--	--	--	--	--	-----	-----

¹Without spreading claws

²Minimal installation depth of 33.9 mm



socket outlets	Centre plates		Supplementary features			Con- nection	special fastening											
	Ø 50 mm round	50 x 50 mm	55.5 x 55.5 mm	Hinged cover 50 x 60 mm	Hinged cover 59.5 x 59.5 mm	Enhanced contact protection	Splash-protected - IP44	Imprint "IP44"	Base rotated 180°	Insert rotated 45°	With control LED	screw terminal	Plug-in terminal	via supporting ring	via base	via supporting angle	via centre plate	Product description ³ Page
SCHUKO socket outlets																		
SNAP IN 1.0 mm		■								■		■						29
		■								■			■					31
SNAP IN 1.8 mm		■				■				■			■					29
		■				■				■			■					30
		■				■				■			■					31
SNAP IN 2 mm		■				■				■	■		■					30
SNAP IN 2.8 mm		■				■				■			■					30
Socket outlets with earthing contact																		
"SWITZERLAND", type 13		■										■					■	40
"SWITZERLAND", type 23		■										■					■	40
"ITALY"		■				■						■					■	39
"BRITISH STANDARD"		■				■						■					■	40
"DENMARK"		■				■						■					■	39
"USA/CANADA" 15 A, 125 V		■										■					■	38
"USA/CANADA" 20 A, 250 V		■										■					■	38
"AUSTRALIA", 10 A		■										■					■	38
"AUSTRALIA", 15 A		■										■					■	39
Socket outlets with earthing pin																		
Fastening via centre plate		■										■					■	41
		■				■						■					■	41
Socket outlets without earthing contact																		
"NETHERLANDS"		■				■						■					■	44
"EURO-AMERICAN STANDARD"		■				■						■					■	44

³Scale drawings and detailed information can be found in the Technical Information on Page 210.

Built-in SCHUKO socket outlets

Built-in SCHUKO socket outlets for screw fastening



Built-in SCHUKO socket outlet with hinged cover
50 x 60 mm

▶ 219

- screw terminals



- for 4-hole screw fitting
- contacts made of copper alloy
- duroplast base
- thermoplastic centre plate, glossy

Rated voltage 250 V~
Rated current 16 A
Installation depth 31 mm

Not suitable for contact protection boxes (cavity walls).
Connection terminals according to IEC 60884-1

Design	Order no.	PU
connection from above		
polar white glossy	9 4296 19	10
connection from below		
grey glossy	9 4296 03	10
black glossy	9 4296 06	10
blue glossy	9 4296 05	10



Built-in SCHUKO socket outlet with hinged cover
50 x 60 mm, IP44

▶ 219

- screw terminals



- for 4-hole screw fitting
- with sealing
- contacts made of copper alloy
- duroplast base
- thermoplastic centre plate, glossy
- connection from below

Rated voltage 250 V~
Rated current 16 A
Installation depth 31 mm

Not suitable for contact protection boxes (cavity walls).
Connection terminals according to IEC 60884-1

Design	Order no.	PU
blue	7 4296 35	10



Built-in SCHUKO socket outlet with hinged cover
50 x 60 mm, imprint "IP44"

▶ 219

- screw terminals



- for 4-hole screw fitting
- with sealing
- contacts made of copper alloy
- duroplast base
- thermoplastic centre plate, glossy
- connection from below

Rated voltage 250 V~
Rated current 16 A
Installation depth 31 mm

Not suitable for contact protection boxes (cavity walls).
Connection terminals according to IEC 60884-1

Design	Order no.	PU
anthracite	8 4296 34	200
polar white glossy	8 4296 39	200
black glossy	8 4296 36	200
blue	8 4296 15	200



Built-in SCHUKO socket outlets "SNAP IN"



Built-in SCHUKO socket outlet with centre plate
Ø 50 mm, SNAP IN 0.6 - 1.5 mm

▶ 219

- screw terminals



Rated voltage	250 V~
Rated current	16 A
Installation depth	38.9 mm
Installation wall thickness	0.6 ... 1.5 mm

Not suitable for contact protection boxes (cavity walls).
Connection terminals according to IEC 60884-1

- for catch fixing
- centre plate with twist protection
- contacts made of copper alloy
- duroplast base
- thermoplastic centre plate, matt

Design	Order no.	PU
grey matt	4189 08	200
light grey matt	4189 06	200
white matt	4189 02	200
polar white matt	4189 09	200
black matt	4189 05	200



Built-in SCHUKO socket outlet with centre plate
50 x 50 mm, SNAP IN 0.6 - 1.5 mm

▶ 219

- screw terminals



Rated voltage	250 V~
Rated current	16 A
Installation wall thickness	0.6 ... 1.5 mm

Not suitable for contact protection boxes (cavity walls).
Connection terminals according to IEC 60884-1

- for catch fixing
- centre plate with twist protection
- contacts made of copper alloy
- duroplast base
- thermoplastic centre plate, matt

Design	Order no.	PU
Installation depth 38.9 mm		
white matt	4181 02	200
polar white matt	4181 09	200
Installation depth 33.9 mm		
white matt	4183 02	200
black matt	4183 05	200



Built-in SCHUKO socket outlet 45°,
SNAP IN 1.3 - 2.2 mm

▶ 219

- enhanced contact protection
- screw terminals



Rated voltage	250 V~
Rated current	16 A
Installation depth	32.3 mm
Installation wall thickness	1.3 ... 2.2 mm

Not suitable for contact protection boxes (cavity walls).
Connection terminals according to IEC 60884-1
Enhanced contact protection (child protection) according to IEC 60884-1

- for catch fixing
- for diagonal installation
- contacts made of copper alloy
- duroplast base
- thermoplastic centre plate, matt

Design	Order no.	PU
grey matt	8 4130 06	200





Built-in SCHUKO socket outlet 45° with hinged cover, SNAP IN 1.3 - 2.2 mm, imprint "IP44"

▶ 220

- screw terminals



Rated voltage	250 V~
Rated current	16 A
Installation depth	32.5 mm
Installation wall thickness	1.3 ... 2.2 mm

- for catch fixing
- insert grey, matt
- with sealing
- for diagonal installation

Not suitable for contact protection boxes (cavity walls).
Connection terminals according to IEC 60884-1

Design	Order no.	PU
grey glossy	8 4121 97	200
red glossy	8 4121 86	200
green glossy	8 4121 90	200



Built-in SCHUKO socket outlet with centre plate Ø 50 mm, SNAP IN 2 mm

▶ 219

- screw terminals



Rated voltage	250 V~
Rated current	16 A
Installation depth	38.9 mm
Installation wall thickness	2 mm

- for catch fixing
- centre plate with twist protection
- contacts made of copper alloy
- duroplast base
- thermoplastic centre plate, matt

Not suitable for contact protection boxes (cavity walls).
Connection terminals according to IEC 60884-1

Design	Order no.	PU
light grey matt	4188 58	200
black matt	8 4188 55	200



Built-in SCHUKO socket outlet with centre plate Ø 50 mm, SNAP IN 2 mm

▶ 220

- plug-in terminals



Rated voltage	250 V~
Rated current	16 A
Installation depth	39.3 mm
Installation wall thickness	2 mm

- for catch fixing
- centre plate with twist protection
- contacts made of copper alloy
- thermoplastic base
- thermoplastic centre plate, matt

Not suitable for contact protection boxes (cavity walls).
Earth bracket clamping forces according to TNO requirements.
Connection terminals according to IEC 60884-1

Design	Order no.	PU
light grey matt	4788 26	200
polar white matt	4788 29	200





Built-in SCHUKO socket outlet with centre plate
Ø 50 mm, SNAP IN 2 mm

▶ 220

- enhanced contact protection
- plug-in terminals



Rated voltage	250 V~
Rated current	16 A
Installation depth	39.3 mm
Installation wall thickness	2 mm

Not suitable for contact protection boxes (cavity walls).
Earth bracket clamping forces according to TNO requirements.
Connection terminals according to IEC 60884-1
Enhanced contact protection (child protection) according to IEC 60884-1

- for catch fixing
- centre plate with twist protection
- contacts made of copper alloy
- thermoplastic base
- thermoplastic centre plate, matt



Design	Order no.	PU
polar white matt	4788 69	10



Built-in SCHUKO socket outlet with hinged cover
59.5 x 59.5 mm, SNAP IN 2 mm, imprint "IP44"

▶ 220

- plug-in terminals



Rated voltage	250 V~
Rated current	16 A
Installation depth	33.1 mm
Installation wall thickness	2 mm

Not suitable for contact protection boxes (cavity walls).
Earth bracket clamping forces according to TNO requirements.
Connection terminals according to IEC 60884-1

- for catch fixing
- with distance sealing ring
- hinged cover can be opened to 135°
- centre plate with twist protection
- contacts made of copper alloy
- ABS hinged cover, matt, abrasion and scratch-proof
- thermoplastic base
- polycarbonate centre plate, matt



Design	Order no.	PU
black matt	8 4296 46	180



Built-in SCHUKO socket outlet with centre plate
Ø 50 mm, SNAP IN 2.5 mm

▶ 219

- screw terminals



Rated voltage	250 V~
Rated current	16 A
Installation depth	38.9 mm
Installation wall thickness	2.5 mm

Not suitable for contact protection boxes (cavity walls).
Connection terminals according to IEC 60884-1

- for catch fixing
- centre plate with twist protection
- contacts made of copper alloy
- duroplast base
- thermoplastic centre plate, matt



Design	Order no.	PU
light grey matt	4175 08	200
polar white matt	4175 09	200

New



Built-in SCHUKO socket outlet with centre plate Ø 50 mm, SNAP IN

- enhanced contact protection
- screw terminals



Rated voltage	250 V~
Rated current	16 A
Installation depth	38.9 mm
Installation wall thickness	2.5 mm

Not suitable for contact protection boxes (cavity walls).
Connection terminals according to IEC 60884-1
Enhanced contact protection (child protection) according to IEC 60884-1

- for catch fixing
- centre plate with twist protection
- contacts made of copper alloy
- duroplast base
- thermoplastic centre plate, matt



Design	Order no.	PU
polar white matt	★ 4176 09	200



Built-in SCHUKO socket outlet with centre plate Ø 50 mm, SNAP IN 3 mm

- screw terminals



Rated voltage	250 V~
Rated current	16 A
Installation depth	38.9 mm
Installation wall thickness	3 mm

Not suitable for contact protection boxes (cavity walls).
Connection terminals according to IEC 60884-1

- for catch fixing
- centre plate with twist protection
- contacts made of copper alloy
- duroplast base
- thermoplastic centre plate, matt

▶ 219



Design	Order no.	PU
grey matt	4188 06	200
light grey matt	4188 08	200
white matt	4188 02	200
polar white matt	4188 09	200
black matt	4188 05	200



Built-in SCHUKO socket outlet with centre plate Ø 50 mm, SNAP IN 3 mm

- plug-in terminals



Rated voltage	250 V~
Rated current	16 A
Installation depth	39.3 mm
Installation wall thickness	3 mm

Not suitable for contact protection boxes (cavity walls).
Earth bracket clamping forces according to TNO requirements.
Connection terminals according to IEC 60884-1

- for catch fixing
- centre plate with twist protection
- contacts made of copper alloy
- thermoplastic base
- thermoplastic centre plate, matt

▶ 220



Design	Order no.	PU
grey matt	4788 36	200
light grey matt	4788 16	200
polar white matt	4788 19	200



Built-in SCHUKO socket outlet with centre plate
50 x 50 mm, SNAP IN 3 mm

▶ 219

- screw terminals



Rated voltage	250 V~
Rated current	16 A
Installation depth	38.9 mm
Installation wall thickness	3 mm

Not suitable for contact protection boxes (cavity walls).
Connection terminals according to IEC 60884-1

- for catch fixing
- centre plate with twist protection
- contacts made of copper alloy
- duroplast base
- thermoplastic centre plate, matt



Design	Order no.	PU
polar white matt	4190 09	200
black matt	4190 05	200



Built-in SCHUKO socket outlet with centre plate
Ø 50 mm, SNAP IN 4 mm

▶ 219

- screw terminals



Rated voltage	250 V~
Rated current	16 A
Installation depth	38.9 mm
Installation wall thickness	4 mm

Not suitable for contact protection boxes (cavity walls).
Connection terminals according to IEC 60884-1

- for catch fixing
- centre plate with twist protection
- contacts made of copper alloy
- duroplast base
- thermoplastic centre plate, matt



Design	Order no.	PU
light grey matt	4177 08	200

Built-in SCHUKO socket outlets with special fastening



Built-in SCHUKO socket outlet with centre plate
Ø 50 mm

▶ 220

- screw terminals



Rated voltage	250 V~
Rated current	16 A
Installation depth	36.6 mm

Not suitable for contact protection boxes (cavity walls).
Connection terminals according to IEC 60884-1

- screw fastening via bas
- centre plate with twist protection
- contacts made of copper alloy
- duroplast base
- duroplast centre plate



Design	Order no.	PU
white	4180 37	10



Built-in SCHUKO socket outlet with support bracket,
centre plate 50 x 50 mm

▶ 220

- screw terminals



Rated voltage	250 V~
Rated current	16 A
Installation depth	36.6 mm

Not suitable for contact protection boxes (cavity walls).

- fastening via support bracket
- centre plate with twist protection
- contacts made of copper alloy
- duroplast base
- duroplast centre plate



Design	Order no.	PU
white	4180 31	10
black	4180 32	10



Built-in SCHUKO socket outlet with support ring, centre plate Ø 50 mm

▶ 221

- screw terminals



Rated voltage 250 V~
Rated current 16 A
Installation depth 31.3 mm

- screw fastening via supporting ring
- without spreader claws
- centre plate with twist protection
- contacts made of copper alloy
- duroplast base
- thermoplastic centre plate

Not suitable for contact protection boxes (cavity walls).
Connection terminals according to IEC 60884-1



Design	Order no.	PU
polar white matt	4180 69	200



Built-in SCHUKO socket outlet with support ring, centre plate Ø 50 mm

▶ 221

- plug-in terminals



Rated voltage 250 V~
Rated current 16 A
Installation depth 31.3 mm

- screw fastening via supporting ring
- without spreader claws
- centre plate with twist protection
- contacts made of copper alloy
- duroplast base
- thermoplastic centre plate

Not suitable for contact protection boxes (cavity walls).
Connection terminals according to IEC 60884-1



Design	Order no.	PU
polar white matt	4880 69	200

Built-in socket outlets with earthing pin

Built-in socket outlets with earthing pin "SNAP IN"



Built-in socket outlet with earthing pin and centre plate, 50 mm, SNAP IN 0.6 - 1.5 mm

▶ 221

- enhanced contact protection
- screw terminals



Rated voltage 250 V~
Rated current 16 A
Installation depth 35.8 mm
Installation wall thickness 0.6 ... 1.5 mm

- for catch fixing
- centre plate with twist protection
- 2pole + earth
- contacts made of copper alloy
- duroplast base
- thermoplastic centre plate, matt

Not suitable for contact protection boxes (cavity walls).
Enhanced contact protection (child protection) according to IEC 60884-1



Design	Order no.	PU
black matt	6741 94 05	200
polar white matt	6741 94 09	200



Built-in socket outlet with earthing pin and centre plate, 50 x 50 mm, SNAP IN 0.6 - 1.5 mm

▶ 221

- enhanced contact protection
- screw terminals



Rated voltage	250 V~
Rated current	16 A
Installation depth	33.8 mm
Installation wall thickness	0.6 ... 1.5 mm

- for catch fixing
- centre plate with twist protection
- 2pole + earth
- contacts made of copper alloy
- duroplast base
- thermoplastic centre plate, matt

Not suitable for contact protection boxes (cavity walls).
Enhanced contact protection (child protection) according to IEC 60884-1



Design	Order no.	PU
black matt	6741 91 05	200



Built-in socket outlet with earthing pin and centre plate, 50 mm, SNAP IN 2.5 mm

▶ 221

- enhanced contact protection
- screw terminals



Rated voltage	250 V~
Rated current	16 A
Installation depth	35.8 mm
Installation wall thickness	2.5 mm

- for catch fixing
- centre plate with twist protection
- 2pole + earth
- contacts made of copper alloy
- duroplast base
- thermoplastic centre plate, matt

Not suitable for contact protection boxes (cavity walls).
Enhanced contact protection (child protection) according to IEC 60884-1



Design	Order no.	PU
polar white matt	6741 28 09	200



Built-in socket outlet with earthing pin and centre plate, 50 x 50 mm, SNAP IN 3 mm

▶ 221

- enhanced contact protection
- screw terminals



Rated voltage	250 V~
Rated current	16 A
Installation depth	33.8 mm
Installation wall thickness	3 mm

- for catch fixing
- centre plate with twist protection
- 2pole + earth
- contacts made of copper alloy
- duroplast base
- thermoplastic centre plate, matt

Not suitable for contact protection boxes (cavity walls).
Enhanced contact protection (child protection) according to IEC 60884-1



Design	Order no.	PU
polar white matt	6741 92 09	200

Built-in socket outlets with earthing pin and special fastening



Built-in socket outlet with earthing pin and supporting ring, centre plate Ø 50 mm

- enhanced contact protection
- screw-in lift terminals



Rated voltage	250 V~
Rated current	16 A
Installation depth	31.3 mm

Enhanced contact protection (child protection) according to IEC 60884-1

- screw fastening via supporting ring
- centre plate with twist protection
- 2pole + earth
- contacts made of copper alloy
- duroplast base
- duroplast centre plate, glossy

▶ 221



Design	Order no.	PU
polar white glossy	6763 79 10	100

Built-in socket outlets without earthing contact

Built-in sockets without earthing contact "SNAP-IN"



Built-in socket outlet without earthing contact, with centre plate 50 x 50 mm, SNAP IN 3 mm

- enhanced contact protection
- screw terminals



Rated voltage	250 V~
Rated current	16 A
Installation depth	33.8 mm
Installation wall thickness	3 mm

Not suitable for contact protection boxes (cavity walls).
Enhanced contact protection (child protection) according to IEC 60884-1

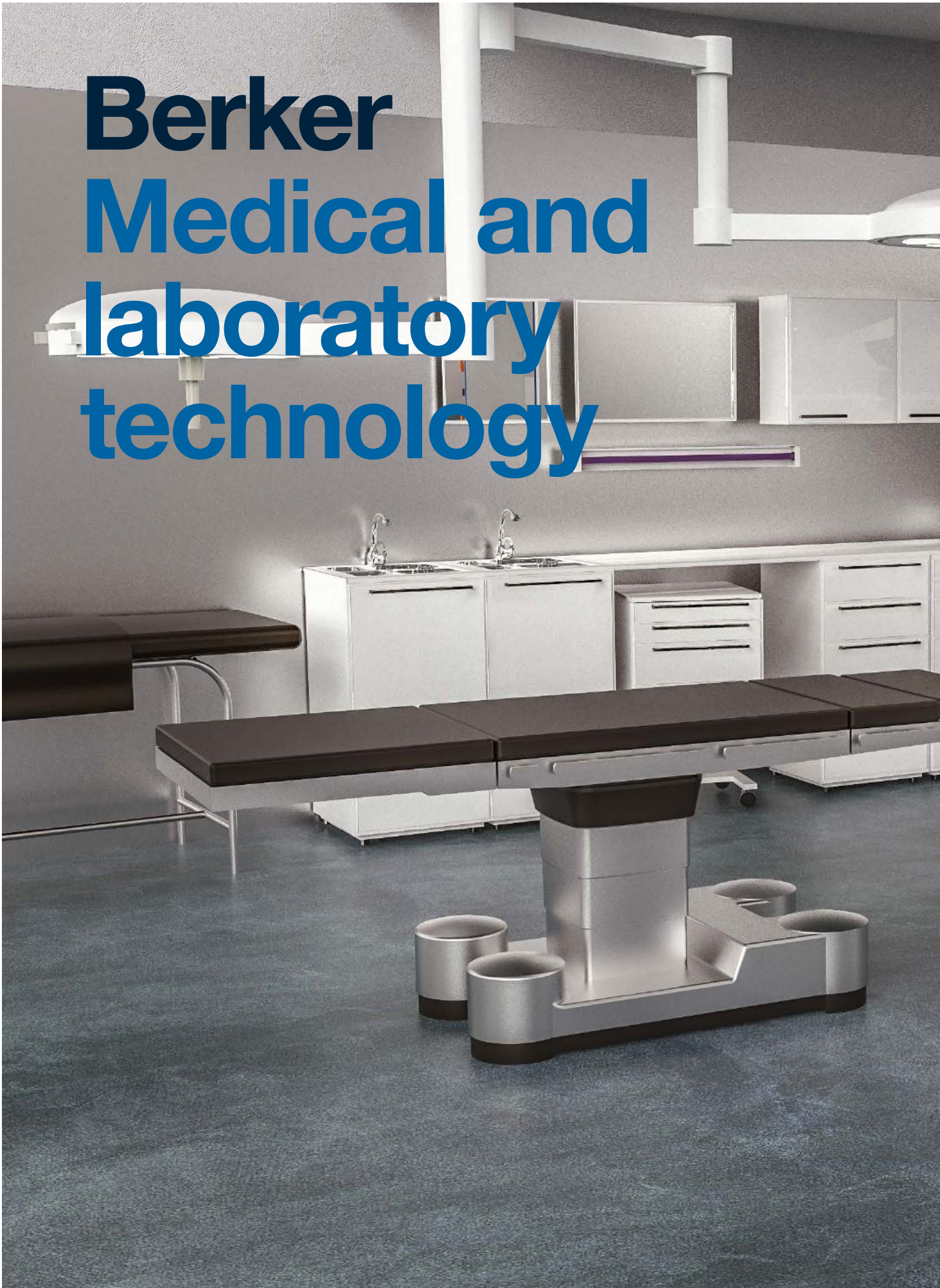
- for catch fixing
- centre plate with twist protection
- 2pole + earth
- contacts made of copper alloy
- duroplast base
- thermoplastic centre plate, matt

▶ 221



Design	Order no.	PU
polar white matt	6141 93 09	200

Berker Medical and laboratory technology





Berker medical
and laboratory
technology

Berker Medical and laboratory technology

The highest level of quality is vital in ensuring the ultimate safety of individuals. They can be used for many different applications in hospitals, for example for the ceiling unit in the operating room and bedhead units in the care sector as well as for laboratory fittings and furnishings. Our Berker Integro Portfolio and 45x45 socket outlets can deliver this exceptional standard of quality for the medical sector.



SCHUKO socket outlets – 45 x 45	160
International socket outlet systems – 45 x 45	161
Accessories – 45 x 45	163
Switch/push-button – 45 x 45	163
USB charging sockets – 45 x 45	164
Multimedia – 45 x 45	165
Data communication – 45 x 45	168
SCHUKO socket outlets for special applications – Berker Integro	169
Socket outlets with earthing pin for special applications – Berker Integro	177
Frames for special applications – Berker Integro	179

Product examples

Berker

Medical and laboratory technology





Frames / Covers / Central inserts

Plastic, glossy

Grey	similar to RAL 7038
Polar white	similar to RAL 9010
Black	similar to RAL 9005
Red	similar to RAL 3003
Green	similar to RAL 6032
Orange	similar to RAL 2008

SCHUKO socket outlets - 45 x 45

Built-in SCHUKO socket outlets "SNAP IN"



Built-in socket outlet SCHUKO, SNAP IN 4.6 mm

- enhanced contact protection
- plug-in terminals

- for catch fixing
- suitable for flush-mounted installation



Rated voltage	250 V~
Rated current	16 A
Installation depth	45 mm
Installation wall thickness	4.6 mm
Dimensions (W x H x D)	45 x 45 x 40 mm

Design	Order no.	PU
white	WS160	10
black	WS160N	10
green	WS160V	10
orange	WS160E	10



▶ 217



Built-in SCHUKO socket outlet, SNAP IN 4.6 mm

- screw terminals

- for catch fixing
- suitable for flush-mounted installation



Rated voltage	250 V~
Rated current	16 A
Installation depth	45 mm
Installation wall thickness	4.6 mm
Dimensions (W x H x D)	45 x 45 x 40 mm

Design	Order no.	PU
red	WS162	10



▶ 217



Built-in double socket outlet SCHUKO 45°, SNAP IN 4.6 mm

- enhanced contact protection
- plug-in terminals

- for diagonal installation
- for catch fixing
- suitable for flush-mounted installation



Rated voltage	250 V~
Rated current	16 A
Installation depth	45 mm
Installation wall thickness	4.6 mm
Dimensions (W x H x D)	90 x 45 x 42.5 mm

Suitable for Optional Connecting plug	Order no.	Page
	WS120	163

Design	Order no.	PU
white	WS172	10
black	WS172N	10
green	WS172V	10
orange	WS172E	10
red	WS185	10



▶ 217



Built-in 3gang SCHUKO socket outlet 45°, SNAP IN 4.6 mm

▶ 218

- enhanced contact protection
- plug-in terminals



Rated voltage	250 V~
Rated current	16 A
Installation depth	45 mm
Installation wall thickness	4.6 mm
Dimensions (W x H x D)	135 x 45 x 42.5 mm

- for diagonal installation
- for catch fixing
- suitable for flush-mounted installation

Suitable for Optional	Order no.	Page
Connecting plug	WS120	163

Design	Order no.	PU
white	WS173	10
black	WS173N	10
red	WS186	10
green	WS173V	10
orange	WS173E	10



International socket outlet systems - 45 x 45

Built-in socket outlets with earthing pin "SNAP IN"



Built-in socket outlet with earthing pin, SNAP IN 4.6 mm

▶ 217

- enhanced contact protection
- plug-in terminals



Rated voltage	250 V~
Rated current	16 A
Installation depth	40 mm
Installation wall thickness	4.6 mm
Dimensions (W x H x D)	45 x 45 x 37 mm

- 2pole + earth
- for catch fixing
- suitable for flush-mounted installation

Design	Order no.	PU
white	WS100	10
black	WS100N	10
green	WS100V	10
orange	WS100E	10



Built-in socket outlet with earthing pin 45°, SNAP IN 4.6 mm

▶ 217

- enhanced contact protection
- plug-in terminals



Rated voltage	250 V~
Rated current	16 A
Installation wall thickness	4.6 mm
Installation depth	45 mm
Dimensions (W x H x D)	67.5 x 45 x 43.5 mm

- 2pole + earth
- width: 3 module units
- for catch fixing
- suitable for flush-mounted installation
- for diagonal installation

Suitable for Optional	Order no.	Page
Connecting plug	WS120	163

Design	Order no.	PU
white	WS121	20
black	WS121N	20
green	WS121V	20
orange	WS121E	20





Built-in double socket outlet with earthing pin 45°, SNAP IN 4.6 mm

▶ 217

- enhanced contact protection
- plug-in terminals



- 2pole + earth
- for catch fixing
- suitable for flush-mounted installation

Rated voltage	250 V~
Rated current	16 A
Installation depth	45 mm
Installation wall thickness	4.6 mm
Dimensions (W x H x D)	90 x 45 x 42.5 mm

Suitable for	Order no.	Page
Optional		
Connecting plug	WS120	163

Design	Order no.	PU
white	WS122	10
black	WS122N	10
green	WS122V	10
orange	WS122E	10



Built-in 3gang socket outlet with earthing pin 45°, SNAP IN 4.6 mm

▶ 218

- enhanced contact protection
- plug-in terminals



- for diagonal installation
- 2pole + earth
- for catch fixing
- suitable for flush-mounted installation

Rated voltage	250 V~
Rated current	16 A
Installation depth	45 mm
Installation wall thickness	4.6 mm
Dimensions (W x H x D)	135 x 45 x 42.5 mm

Suitable for	Order no.	Page
Optional		
Connecting plug	WS120	163

Design	Order no.	PU
white	WS123	10
black	WS123N	10
red	WS123R	10
green	WS123V	10
orange	WS123E	10



Built-in socket outlets with earthing pin "Detrompage" "SNAP IN"



Built-in socket outlet with earthing pin "DETROMPAGE", SNAP IN 4.6 mm

▶ 217

- enhanced contact protection
- screw terminals



- confusion-safe
- 2pole + earth
- for catch fixing
- suitable for flush-mounted installation

Rated voltage	250 V~
Rated current	16 A
Installation depth	40 mm
Installation wall thickness	4.6 mm
Dimensions (W x H x D)	45 x 45 x 37 mm

Suitable for	Order no.	Page
Optional		
Connecting attachment "DETROMPAGE" for socket outlet with earthing pin	WS697	163

Design	Order no.	PU
red	WS106	10





Built-in socket outlet with earthing pin "DETROMPAGE", SNAP IN 4.6 mm

▶ 217

- enhanced contact protection
- plug-in terminals



Rated voltage	250 V~
Rated current	16 A
Installation depth	40 mm
Installation wall thickness	4.6 mm
Dimensions (W x H x D)	45 x 45 x 37 mm

- confusion-safe
- 2pole + earth
- for catch fixing
- suitable for flush-mounted installation

Suitable for Connecting attachment "DETROMPAGE" for socket outlet with earthing pin	Order no. WS697	Page 163
---	---------------------------	--------------------



Design	Order no.	PU
red	WS105	10

Accessories - 45 x 45



Connecting plug

▶ 218

Rated voltage	250 V~
Rated current	16 A
Dimensions (W x H x D)	40 x 30 x 25 mm

- 3pole terminal block on both sides

Suitable for Built-in socket outlet with earthing pin 45°, SNAP IN 4.6 mm	Order no. WS121 ..	Page 161
Built-in double socket outlet with earthing pin 45°, SNAP IN 4.6 mm	WS122 ..	162
Built-in 3gang socket outlet with earthing pin 45°, SNAP IN 4.6 mm	WS123 ..	162
Built-in double socket outlet SCHUKO 45°, SNAP IN 4.6 mm		160
Built-in double socket outlet SCHUKO 45°, SNAP IN 4.6 mm		160

Design	Order no.	PU
light grey	WS120	10



Connecting attachment "DETROMPAGE" for socket outlet with earthing pin

To mount on plug with earthing pin
"DETROMPAGE": Confusion-safe connection for emergency power devices!

- adapter with release pin

Suitable for Built-in socket outlet with earthing pin "DETROMPAGE", SNAP IN 4.6 mm	Order no. WS10 ..	Page 163
--	-----------------------------	--------------------

Design	Order no.	PU
red	WS697	10



Blank module

Dimensions (W x H x D)	22.5 x 45 x 37 mm
------------------------	-------------------

Design	Order no.	PU
white, 1gang	WS688	10
white, 2gang	WS689	10

Switch/push-button - 45 x 45

Rocker switches "SNAP IN"



Built-in change-over switch, SNAP IN 4,6 mm

▶ 217

Rated voltage	250 V~
Switching current	10 AX
Installation depth	40 mm
Installation wall thickness	4.6 mm
Dimensions (W x H x D)	45 x 45 x 37 mm

- change-over
- for catch fixing
- suitable for flush-mounted installation
- with plug-in terminals



Design	Order no.	PU
white	WS001	10



Built in control change-over switch, SNAP IN 4.6 mm

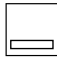
Rated voltage	250 V~	- with control LED as function light
Switching current	10 AX	- change-over
Installation wall thickness	4.6 mm	- for catch fixing
Dimensions (W x H x D)	45 x 45 x 33 mm	- suitable for flush-mounted installation
		- with plug-in terminals



Design	Order no.	PU
white	WS002	10



Built in change-over switch, SNAP IN 4.6 mm

- labelling field		- change-over
		- for catch fixing
		- suitable for flush-mounted installation
		- with plug-in terminals
Rated voltage	250 V~	
Switching current	10 AX	
Installation wall thickness	4.6 mm	
Dimensions (W x H x D)	45 x 45 x 33 mm	

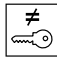


Design	Order no.	PU
white	WS006	1

EMERGENCY OFF switch



EMERGENCY OFF switch, SNAP IN 4.6 mm

- lock - differing closures		- for catch fixing
		- unlocking by 1/4 rotation
		- with 2 keys
		- with screw terminals
Rated voltage	250 V~	
Switching current	10 A	
Installation wall thickness	4.6 mm	
Dimensions (W x H x D)	45 x 45 x 104 mm	
DIN EN 60669-1		


Design	Order no.	PU
white	WS032	1

USB charging sockets - 45 x 45

USB charging sockets "SNAP IN"



USB charging socket, SNAP IN 4.6 mm

- labelling field		- for charging mobile end devices via USB cable
		- with 2 USB sockets type A
		- for catch fixing
		- with plug-in terminals
Input voltage	110 ... 230 V~	
Frequency	50/60 Hz	
Output voltage	5 V= (± 5 %)	
Output current when operating both sockets	max. 1.2 A	
Installation wall thickness	4.6 mm	
Dimensions (W x H x D)	45 x 45 x mm	

No data transmission possible!



Design	Order no.	PU
white	WS110	1

Multimedia - 45 x 45

Audio socket outlets "SNAP IN"



Cinch socket outlet, SNAP IN 4.6 mm

▶ 211

Installation wall thickness 4.6 mm - 2 cinch jacks for audio connection (red, white)
 Dimensions (W x H x D) 45 x 45 x 40 mm - for catch fixing
 - with screw terminals



Design	Order no.	PU
Cinch socket outlet, SNAP IN 4.6 mm	WS260	1



3.5 mm audio socket outlet, SNAP IN 4.6 mm

- labelling field



- with 3.5 mm jack
- for catch fixing
- with screw terminals

Installation wall thickness 4.6 mm
 Dimensions (W x H x D) 45 x 45 x 34 mm



Design	Order no.	PU
white	WS278	1



XLR socket outlet, female, SNAP IN 4.6 mm

Installation wall thickness 4.6 mm - for catch fixing
 Dimensions (W x H x D) 45 x 45 x 35 mm - with screw terminals



Design	Order no.	PU
white	WS266	1



XLR socket outlet, male, SNAP IN 4.6 mm

Installation wall thickness 4.6 mm - for catch fixing
 Dimensions (W x H x D) 45 x 45 x 32 mm - with screw terminals



Design	Order no.	PU
white	WS267	1

Video socket outlets "SNAP IN"



VGA socket outlet, SNAP IN 4.6 mm

Installation wall thickness 4.6 mm – with 15pole D-subminiature jack (front)
Dimensions (W x H x D) 45 x 45 x 37 mm – for catch fixing
– with screw terminals

Observe the instructions of the cable and device manufacturers for maximum cable length!

▶ 211



Design	Order no.	PU
white	WS276	1



DVI socket outlet, SNAP IN 4.6 mm

Installation wall thickness 4.6 mm – with DVI-D jack
Dimensions (W x H x D) 45 x 45 x 37.5 mm – for catch fixing
– with screw terminals

Observe the instructions of the cable and device manufacturers for maximum cable length!



Design	Order no.	PU
white	WS274	1



S-Video socket outlet, SNAP IN 4.6 mm

Installation wall thickness 4.6 mm – with S-Video jack
Dimensions (W x H x D) 45 x 45 x 33 mm – for catch fixing
– with screw terminals

▶ 211



Design	Order no.	PU
white	WS275	1



Component S-Video socket outlet, SNAP IN 4.6 mm

Installation wall thickness 4.6 mm – with 3 cinch jacks (Y, Pb, Pr)
Dimensions (W x H x D) 45 x 45 x 40 mm – for catch fixing
– with screw terminals



Design	Order no.	PU
white	WS262	1

Multimedia socket outlets "SNAP IN"



High Definition socket outlet, SNAP IN 4.6 mm

Resolution max. 1920 x 1080 px – with HDMI™ jack type A
Installation wall thickness 4.6 mm – 19pole
Dimensions (W x H x D) 45 x 45 x 34 mm – for catch fixing
– with screw terminals

Observe the instructions of the cable and device manufacturers for maximum cable length!



Design	Order no.	PU
white	WS264	1



High Definition socket outlet, SNAP IN 4.6 mm

- labelling field



Resolution max. 1920 x 1080 px
 Installation wall thickness 4.6 mm
 Dimensions (W x H x D) 45 x 45 x 27.5 mm

Observe the instructions of the cable and device manufacturers for maximum cable length!

- with HDMI™ double jack type A
- 19pole
- for catch fixing



Design	Order no.	PU
white	WS263	1



Cinch/S-Video socket outlet, SNAP IN 4.6 mm

Installation wall thickness 4.6 mm
 Dimensions (W x H x D) 45 x 45 x 39 mm

- 2 cinch jacks for audio connection (red, white)
- with S-Video jack
- for catch fixing
- with screw terminals

▶ 211



Design	Order no.	PU
white	WS279	1



Cinch socket outlet 3gang, SNAP IN 4.6 mm

Installation wall thickness 4.6 mm
 Dimensions (W x H x D) 45 x 45 x 40 mm

- 1 cinch jack for video connection (yellow)
- 2 cinch jacks for audio connection (red, white)
- for catch fixing
- with screw terminals



Design	Order no.	PU
white	WS261	1



USB socket outlet, SNAP IN 4.6 mm

Rated voltage 5 V=
 Conductor Ø (power) AWG 26-24
 Conductor Ø (data) AWG 28-26
 Line length max. 5 m
 Installation wall thickness 4.6 mm
 Dimensions (W x H x D) 45 x 45 x 33.5 mm

- with USB socket type A, USB 2.0 compatible
- for catch fixing
- with screw terminals



Design	Order no.	PU
white	WS265	1

Data communication - 45 x 45

FCC socket outlets "SNAP IN"



FCC socket outlet 8pole shielded Cat.6, SNAP IN 4,6 mm

▶ 218

- labelling field



Rated voltage	72 V=
Rated current	0.5 A
Transmission bandwidth	max. 250 MHz
Signal contact resistance	20 mΩ
Shield contact resistance	100 mΩ
Conductor Ø	0.4 ... 0.65 mm
Installation depth	40 mm
Installation wall thickness	4.6 mm
Dimensions (W x H x D)	22.5 x 45 x 37 mm

- width: 1 module unit
- with dust protection cover
- for RJ11, RJ12 and RJ45 plugs
- suitable for PoE+
- with screen contacting 360° and strain relief
- for catch fixing
- suitable for flush-mounted installation
- with cutting terminals

Design to according to DIN IEC 60603-7-51
Cat.6 according to DIN EN 50173-1 and ISO/IEC 11801,
2nd edition
Protective screen according to DIN EN 55022, Class B
Colour code A and B according to TIA/EIA-568-B.2



Design	Order no.	PU
white	WS225	10



FCC socket outlet 8pole shielded Cat.6, SNAP IN 4,6 mm

▶ 218

- labelling field



Rated voltage	72 V=
Rated current	0.5 A
Transmission bandwidth	max. 250 MHz
Signal contact resistance	20 mΩ
Shield contact resistance	100 mΩ
Conductor Ø	0.4 ... 0.65 mm
Installation depth	40 mm
Installation wall thickness	4.6 mm
Dimensions (W x H x D)	45 x 45 x 37 mm

- width: 2 module units
- with dust protection cover
- for RJ11, RJ12 and RJ45 plugs
- suitable for PoE+
- with screen contacting 360° and strain relief
- for catch fixing
- suitable for flush-mounted installation
- with cutting terminals

Design to according to DIN IEC 60603-7-51
Cat.6 according to DIN EN 50173-1 and ISO/IEC 11801,
2nd edition
Protective screen according to DIN EN 55022, Class B
Colour code A and B according to TIA/EIA-568-B.2




Design	Order no.	PU
white	WS226	1

SCHUKO socket outlets for special applications - Berker Integro


SCHUKO socket outlets with insulation-piercing terminals

- for 4-hole screw fitting
- New: Insulation-piercing terminals (IPT) for quick and easy connection with the joining tool, order no. 8 1726 25 81, see page 172
- VDE approval
- Up to 2 flexible conductors with a cross section of 2.5 mm² can be connected for each IPT contact; wires do not have to be stripped in advance.
- Enables multiple socket outlets to be looped through without breaking the conductors.
- IPT contacts made from copper alloy, tin-plated
- thermoplastic centre plates and bases
- Base with snap-on safety cap

 Marked items are only suitable for splash-protected IP44 flush-mounted installation when used in conjunction with sealing (order no. 9 1853 01) and frame with hinged cover and imprint "IP44".

SCHUKO socket outlet ▶ 212

Insulation-piercing terminals



Rated voltage 250 V~

Rated current 16 A

Conductor cross-section (flexible) 2.5 mm²

Earth bracket clamping forces according to TNO requirements.

Not suitable for contact protection boxes (cavity walls).

Connection terminals according to IEC 60884-1

Suitable for

Optional

Sealing IP44 for socket outlets with insulation-piercing terminals

Frame with hinged cover and imprint "IP44"

Order no.

Page

from p. 181


from p. 181

Design	Order no.	PU
red matt	★ 8 4800 25 07	200
green matt	★ 8 4800 25 03	200
orange matt	★ 8 4800 25 04	200

SCHUKO socket outlet ▶ 212

enhanced contact protection

insulation-piercing terminals



Rated voltage 250 V~

Rated current 16 A

Conductor cross-section (flexible) 2.5 mm²

Earth bracket clamping forces according to TNO requirements.

Not suitable for contact protection boxes (cavity walls).

Connection terminals according to IEC 60884-1

Enhanced contact protection (child protection) according to IEC 60884-1

Suitable for

Optional

Sealing IP44 for socket outlets with insulation-piercing terminals

Frame with hinged cover and imprint "IP44"

Order no.


Page

from p. 181


from p. 181


Design	Order no.	PU
red matt	★ 8 4801 25 07	200
green matt	★ 8 4801 25 03	200
orange matt	★ 8 4801 25 04	200

Berker medical and laboratory technology

New  **SCHUKO socket outlet with control LED** ▶ 212

- insulation-piercing terminals






Rated voltage	250 V~	
Rated current	16 A	
LED current	1 mA	
Conductor cross-section (flexible)	2.5 mm ²	


Earth bracket clamping forces according to TNO requirements.
Not suitable for contact protection boxes (cavity walls).
Connection terminals according to IEC 60884-1

Design	Order no.	PU
red matt	★ 8 4800 25 17	200
green matt	★ 8 4800 25 13	200
orange matt	★ 8 4800 25 14	200




Suitable for



Optional	Order no.	Page
Sealing IP44 for socket outlets with insulation displacement contacts	9 1853 01	181
Frame with hinged cover and imprint "IP44"		upon request

New  **SCHUKO socket outlet with control LED** ▶ 212

- enhanced contact protection

- insulation-piercing terminals




Rated voltage	250 V~	
Rated current	16 A	
LED current	1 mA	
Conductor cross-section (flexible)	2.5 mm ²	


Earth bracket clamping forces according to TNO requirements.
Not suitable for contact protection boxes (cavity walls).
Connection terminals according to IEC 60884-1
Enhanced contact protection (child protection) according to IEC 60884-1

Design	Order no.	PU
red matt	★ 8 4801 25 17	200
green matt	★ 8 4801 25 13	200
orange matt	★ 8 4801 25 14	200




Suitable for


Optional	Order no.	Page
Sealing IP44 for socket outlets with insulation displacement contacts	9 1853 01	181
Frame with hinged cover and imprint "IP44"		upon request

New  **SCHUKO socket outlet 45°** ▶ 212

- insulation-piercing terminals

- for diagonal installation

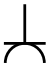




Rated voltage	250 V~	
Rated current	16 A	
Conductor cross-section (flexible)	2.5 mm ²	

Earth bracket clamping forces according to TNO requirements.
Not suitable for contact protection boxes (cavity walls).
Connection terminals according to IEC 60884-1

Design	Order no.	PU
red matt	★ 8 4850 25 07	200
green matt	★ 8 4850 25 03	200
orange matt	★ 8 4850 25 04	200



Suitable for

Optional	Order no.	Page
Sealing IP44 for socket outlets with insulation-piercing terminals		from p. 181
Frame with hinged cover and imprint "IP44"		from p. 181



SCHUKO socket outlet 45°

- enhanced contact protection
- insulation-piercing terminals



Rated voltage	250 V~
Rated current	16 A
Conductor cross-section (flexible)	2.5 mm ²

Earth bracket clamping forces according to TNO requirements.

Not suitable for contact protection boxes (cavity walls).

Connection terminals according to IEC 60884-1

Enhanced contact protection (child protection) according to IEC 60884-1

- for diagonal installation

Suitable for	Order no.	Page
Optional		
Sealing IP44 for socket outlets with insulation-piercing terminals	9 1853 01	from p. 181
Frame with hinged cover and imprint "IP44"		from p. 181

Design	Order no.	PU
red matt	★ 8 4851 25 07	200
green matt	★ 8 4851 25 03	200
orange matt	★ 8 4851 25 04	200



SCHUKO socket outlet 45° with control LED

- insulation-piercing terminals



Rated voltage	250 V~
Rated current	16 A
LED current	1 mA
Conductor cross-section (flexible)	2.5 mm ²

Earth bracket clamping forces according to TNO requirements.

Not suitable for contact protection boxes (cavity walls).

Connection terminals according to IEC 60884-1

- with green control LED as function light
- for diagonal installation

Suitable for	Order no.	Page
Optional		
Sealing IP44 for socket outlets with insulation displacement contacts	9 1853 01	181
Frame with hinged cover and imprint "IP44"		upon request

Design	Order no.	PU
red matt	★ 8 4850 25 17	200
green matt	★ 8 4850 25 13	200
orange matt	★ 8 4850 25 14	200



SCHUKO socket outlet 45° with control LED

- enhanced contact protection
- insulation-piercing terminals



Rated voltage	250 V~
Rated current	16 A
LED current	1 mA
Conductor cross-section (flexible)	2.5 mm ²

Earth bracket clamping forces according to TNO requirements.

Not suitable for contact protection boxes (cavity walls).

Connection terminals according to IEC 60884-1

Enhanced contact protection (child protection) according to IEC 60884-1

- with green control LED as function light
- for diagonal installation

Suitable for	Order no.	Page
Optional		
Sealing IP44 for socket outlets with insulation displacement contacts	9 1853 01	181
Frame with hinged cover and imprint "IP44"		upon request



Design	Order no.	PU
red matt	★ 8 4851 25 17	200
green matt	★ 8 4851 25 13	200
orange matt	★ 8 4851 25 14	200



New		Joining tool for Berker Integro socket outlets with IPT technology	▶ 212
Design		Order no.	PU
blue matt		★ 8 1726 25 81	200
blue matt		★ 9 1726 25 81	10

SCHUKO socket outlets with "SNAP IN" and plug-in terminals


- for catch fixing
- thermoplastic centre plates and bases
- contacts made of copper alloy

SCHUKO socket outlet 45° with control LED, SNAP IN		▶ 210	
 <ul style="list-style-type: none"> - enhanced contact protection - plug-in terminals  <p>Operating voltage 250 V~ Rated current 16 A LED current 1 mA Installation wall thickness 2 mm</p> <p>Earth bracket clamping forces according to TNO requirements. Not suitable for contact protection boxes (cavity walls). Standard NEN 1010 Connection terminals according to IEC 60884-1 Enhanced contact protection (child protection) according to IEC 60884-1</p>	<ul style="list-style-type: none"> - with green control LED as function light - with distance sealing ring - for diagonal installation <p>Suitable for Optional Frame with hinged cover and imprint "IP44"</p>	<p>Order no. upon request</p> <p>Page upon request</p>	
Design		Order no.	PU
for installation wall thickness 2 mm (± 0.2 mm)			
red matt		9 4713 25 76	200
green matt		9 4713 25 03	200
orange matt		9 4713 25 04	200



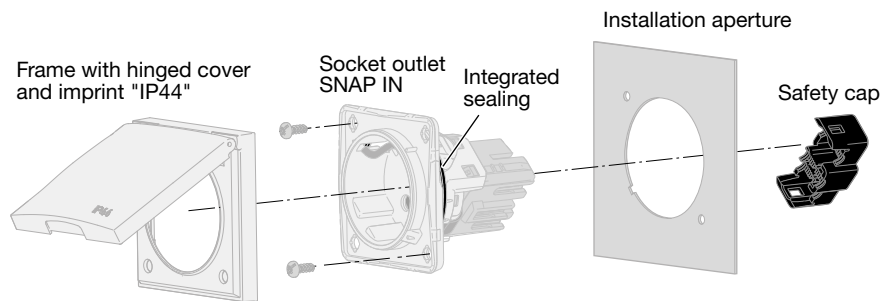
SCHUKO socket outlets with "SNAP IN" and insulation-piercing terminals

- for catch fixing
- New: Insulation-piercing terminals (IPT) for quick and easy connection with the joining tool, order no. 8 1726 25 81, see page 172
- VDE approval
- Up to 2 flexible conductors with a cross section of 2.5 mm² can be connected for each IPT contact; wires do not have to be stripped in advance.
- Enables multiple socket outlets to be looped through without breaking the conductors.
- IPT contacts made from copper alloy, tin-plated
- thermoplastic centre plates and bases
- Base with snap-on safety cap

 Marked items are only suitable for splash-protected IP44 flush-mounted installation when used in conjunction with corresponding frame with hinged cover and imprint "IP44".

Assembly instructions for IP44 socket outlets with SNAP IN and insulation-piercing terminals

Not suitable for contact protection boxes!



Attention!
Only upon compliance with the assembly instructions the degree of protection IP44 is guaranteed.

Berker medical and laboratory technology



SCHUKO socket outlet, SNAP IN

- insulation-piercing terminals



Rated voltage 250 V~
Rated current 16 A
Conductor cross-section (flexible) 2.5 mm²

Earth bracket clamping forces according to TNO requirements.

Not suitable for contact protection boxes (cavity walls).

Connection terminals according to IEC 60884-1

- with distance sealing ring

Suitable for Optional

Frame with hinged cover and imprint "IP44"

Order no.

▶ 212

Page

from p. 181

Design

Order no.

PU

for installation wall thickness 1 mm (± 0.1 mm)

red matt	★ 8 4810 25 07	200
green matt	★ 8 4810 25 03	200
orange matt	★ 8 4810 25 04	200





for installation wall thickness 2 mm (+0.1/-0.3 mm)




red matt	★ 8 4820 25 07	200
green matt	★ 8 4820 25 03	200
orange matt	★ 8 4820 25 04	200

for installation wall thickness 3 mm (+0.1/-0.3 mm)

red matt	★ 8 4830 25 07	200
green matt	★ 8 4830 25 03	200
orange matt	★ 8 4830 25 04	200



<p>New</p> 	<p>SCHUKO socket outlet, SNAP IN</p> <ul style="list-style-type: none"> - enhanced contact protection - insulation-piercing terminals <div style="display: flex; align-items: center; gap: 10px;">   </div> <p>Rated voltage 250 V~ Rated current 16 A Conductor cross-section (flexible) 2.5 mm²</p> <p>Earth bracket clamping forces according to TNO requirements. Not suitable for contact protection boxes (cavity walls). Connection terminals according to IEC 60884-1 Enhanced contact protection (child protection) according to IEC 60884-1</p>	<p style="text-align: right;">▶ 212</p> <p>Suitable for Optional Frame with hinged cover and imprint "IP44"</p> <p style="text-align: right;">Order no. Page from p. 181</p>																											
	<p>Design Order no. PU</p> <p>for installation wall thickness 1 mm (± 0.1 mm)</p> <table border="0"> <tr><td>red matt</td><td style="text-align: right;">★ 8 4811 25 07</td><td style="text-align: right;">200</td></tr> <tr><td>green matt</td><td style="text-align: right;">★ 8 4811 25 03</td><td style="text-align: right;">200</td></tr> <tr><td>orange matt</td><td style="text-align: right;">★ 8 4811 25 04</td><td style="text-align: right;">200</td></tr> </table> <p>for installation wall thickness 2 mm (+0.1/-0.3 mm)</p> <table border="0"> <tr><td>red matt</td><td style="text-align: right;">★ 8 4821 25 07</td><td style="text-align: right;">200</td></tr> <tr><td>green matt</td><td style="text-align: right;">★ 8 4821 25 03</td><td style="text-align: right;">200</td></tr> <tr><td>orange matt</td><td style="text-align: right;">★ 8 4821 25 04</td><td style="text-align: right;">200</td></tr> </table> <p>for installation wall thickness 3 mm (+0.1/-0.3 mm)</p> <table border="0"> <tr><td>red matt</td><td style="text-align: right;">★ 8 4831 25 07</td><td style="text-align: right;">200</td></tr> <tr><td>green matt</td><td style="text-align: right;">★ 8 4831 25 03</td><td style="text-align: right;">200</td></tr> <tr><td>orange matt</td><td style="text-align: right;">★ 8 4831 25 04</td><td style="text-align: right;">200</td></tr> </table>	red matt	★ 8 4811 25 07	200	green matt	★ 8 4811 25 03	200	orange matt	★ 8 4811 25 04	200	red matt	★ 8 4821 25 07	200	green matt	★ 8 4821 25 03	200	orange matt	★ 8 4821 25 04	200	red matt	★ 8 4831 25 07	200	green matt	★ 8 4831 25 03	200	orange matt	★ 8 4831 25 04	200	
red matt	★ 8 4811 25 07	200																											
green matt	★ 8 4811 25 03	200																											
orange matt	★ 8 4811 25 04	200																											
red matt	★ 8 4821 25 07	200																											
green matt	★ 8 4821 25 03	200																											
orange matt	★ 8 4821 25 04	200																											
red matt	★ 8 4831 25 07	200																											
green matt	★ 8 4831 25 03	200																											
orange matt	★ 8 4831 25 04	200																											

<p>New</p> 	<p>SCHUKO socket outlet with control LED, SNAP IN</p> <ul style="list-style-type: none"> - insulation-piercing terminals <div style="display: flex; align-items: center; gap: 10px;">  </div> <p>Rated voltage 250 V~ Rated current 16 A LED current 1 mA Conductor cross-section (flexible) 2.5 mm²</p> <p>Earth bracket clamping forces according to TNO requirements. Not suitable for contact protection boxes (cavity walls). Connection terminals according to IEC 60884-1</p>	<p style="text-align: right;">▶ 212</p> <p>Suitable for Optional Frame with hinged cover and imprint "IP44"</p> <p style="text-align: right;">Order no. Page upon request</p>																											
	<p>Design Order no. PU</p> <p>for installation wall thickness 1 mm (± 0.1 mm)</p> <table border="0"> <tr><td>red matt</td><td style="text-align: right;">★ 8 4810 25 17</td><td style="text-align: right;">200</td></tr> <tr><td>green matt</td><td style="text-align: right;">★ 8 4810 25 13</td><td style="text-align: right;">200</td></tr> <tr><td>orange matt</td><td style="text-align: right;">★ 8 4810 25 14</td><td style="text-align: right;">200</td></tr> </table> <p>for installation wall thickness 2 mm (+0.1/-0.3 mm)</p> <table border="0"> <tr><td>red matt</td><td style="text-align: right;">★ 8 4820 25 17</td><td style="text-align: right;">200</td></tr> <tr><td>green matt</td><td style="text-align: right;">★ 8 4820 25 13</td><td style="text-align: right;">200</td></tr> <tr><td>orange matt</td><td style="text-align: right;">★ 8 4820 25 14</td><td style="text-align: right;">200</td></tr> </table> <p>for installation wall thickness 3 mm (+0.1/-0.3 mm)</p> <table border="0"> <tr><td>red matt</td><td style="text-align: right;">★ 8 4830 25 17</td><td style="text-align: right;">200</td></tr> <tr><td>green matt</td><td style="text-align: right;">★ 8 4830 25 13</td><td style="text-align: right;">200</td></tr> <tr><td>orange matt</td><td style="text-align: right;">★ 8 4830 25 14</td><td style="text-align: right;">200</td></tr> </table>	red matt	★ 8 4810 25 17	200	green matt	★ 8 4810 25 13	200	orange matt	★ 8 4810 25 14	200	red matt	★ 8 4820 25 17	200	green matt	★ 8 4820 25 13	200	orange matt	★ 8 4820 25 14	200	red matt	★ 8 4830 25 17	200	green matt	★ 8 4830 25 13	200	orange matt	★ 8 4830 25 14	200	
red matt	★ 8 4810 25 17	200																											
green matt	★ 8 4810 25 13	200																											
orange matt	★ 8 4810 25 14	200																											
red matt	★ 8 4820 25 17	200																											
green matt	★ 8 4820 25 13	200																											
orange matt	★ 8 4820 25 14	200																											
red matt	★ 8 4830 25 17	200																											
green matt	★ 8 4830 25 13	200																											
orange matt	★ 8 4830 25 14	200																											

New 

SCHUKO socket outlet with control LED, SNAP IN

▶ 212



- enhanced contact protection
- insulation-piercing terminals

- with green control LED as function light
- with distance sealing ring



Rated voltage	250 V~
Rated current	16 A
LED current	1 mA
Conductor cross-section (flexible)	2.5 mm ²

Suitable for Optional	Order no.	Page
Frame with hinged cover and imprint "IP44"		upon request

Earth bracket clamping forces according to TNO requirements.

Not suitable for contact protection boxes (cavity walls).

Connection terminals according to IEC 60884-1

Enhanced contact protection (child protection) according to IEC 60884-1

Design	Order no.	PU
for installation wall thickness 1 mm (± 0.1 mm)		
red matt	★ 8 4811 25 17	200
green matt	★ 8 4811 25 13	200
orange matt	★ 8 4811 25 14	200
for installation wall thickness 2 mm (+0.1/-0.3 mm)		
red matt	★ 8 4821 25 17	200
green matt	★ 8 4821 25 13	200
orange matt	★ 8 4821 25 14	200
for installation wall thickness 3 mm (+0.1/-0.3 mm)		
red matt	★ 8 4831 25 17	200
green matt	★ 8 4831 25 13	200
orange matt	★ 8 4831 25 14	200



New 

SCHUKO socket outlet 45°, SNAP IN

▶ 212



- insulation-piercing terminals

- with distance sealing ring
- for diagonal installation



Rated voltage	250 V~
Rated current	16 A
Conductor cross-section (flexible)	2.5 mm ²

Suitable for Optional	Order no.	Page
Frame with hinged cover and imprint "IP44"		from p. 181

Earth bracket clamping forces according to TNO requirements.

Not suitable for contact protection boxes (cavity walls).

Connection terminals according to IEC 60884-1

Design	Order no.	PU
for installation wall thickness 1 mm (± 0.1 mm)		
red matt	★ 8 4860 25 07	200
green matt	★ 8 4860 25 03	200
orange matt	★ 8 4860 25 04	200
for installation wall thickness 2 mm (+0.1/-0.3 mm)		
red matt	★ 8 4870 25 07	200
green matt	★ 8 4870 25 03	200
orange matt	★ 8 4870 25 04	200
for installation wall thickness 3 mm (+0.1/-0.3 mm)		
red matt	★ 8 4880 25 07	200
green matt	★ 8 4880 25 03	200
orange matt	★ 8 4880 25 04	200





SCHUKO socket outlet 45° with control LED, SNAP IN

▶ 212

- enhanced contact protection
- insulation-piercing terminals

- with green control LED as function light
- with distance sealing ring
- for diagonal installation



Rated voltage	250 V~
Rated current	16 A
LED current	1 mA
Conductor cross-section (flexible)	2.5 mm ²

Suitable for Optional	Order no.	Page
Frame with hinged cover and imprint "IP44"		upon request

Earth bracket clamping forces according to TNO requirements.

Not suitable for contact protection boxes (cavity walls).

Connection terminals according to IEC 60884-1

Enhanced contact protection (child protection) according to IEC 60884-1

Design	Order no.	PU
for installation wall thickness 1 mm (± 0.1 mm)		
red matt	★ 8 4861 25 17	200
green matt	★ 8 4861 25 13	200
orange matt	★ 8 4861 25 14	200
for installation wall thickness 2 mm (+0.1/-0.3 mm)		
red matt	★ 8 4871 25 17	200
green matt	★ 8 4871 25 13	200
orange matt	★ 8 4871 25 14	200
for installation wall thickness 3 mm (+0.1/-0.3 mm)		
red matt	★ 8 4881 25 17	200
green matt	★ 8 4881 25 13	200
orange matt	★ 8 4881 25 14	200



Socket outlets with earthing pin for special applications - Berker Integro

Socket outlets with earthing pin and insulation-piercing terminals

- for 4-hole screw fitting
- New: Insulation-piercing terminals (IPT) for quick and easy connection with the joining tool, order no. 8 1726 25 81, see page 172
- VDE approval
- Up to 2 flexible conductors with a cross section of 2.5 mm² can be connected for each IPT contact; wires do not have to be stripped in advance.
- Enables multiple socket outlets to be looped through without breaking the conductors.
- IPT contacts made from copper alloy, tin-plated
- thermoplastic centre plates and bases
- Base with snap-on safety cap

☑☑☑ Marked items are only suitable for splash-protected IP44 flush-mounted installation when used in conjunction with sealing (order no. 9 1853 01) and frame with hinged cover and imprint "IP44".



Socket outlet with earthing pin

▶ 212

- enhanced contact protection
- insulation-piercing terminals

- 2pole + earth
- with screw terminals



Rated voltage	250 V~
Rated current	16 A
Conductor cross-section (flexible)	2.5 mm ²

Suitable for Optional	Order no.	Page
Sealing IP44 for socket outlets with insulation-piercing terminals		from p. 181
Frame with hinged cover and imprint "IP44"		from p. 181

Earth bracket clamping forces according to TNO requirements.


Not suitable for contact protection boxes (cavity walls).


Connection terminals according to IEC 60884-1

Enhanced contact protection (child protection) according to IEC 60884-1



Design	Order no.	PU
red matt	★ 8 6301 25 07	200
green matt	★ 8 6301 25 03	200
orange matt	★ 8 6301 25 04	200



New  **Socket outlet with earthing pin and control LED** ▶ 212



- enhanced contact protection
- insulation-piercing terminals

Rated voltage 250 V~

Rated current 16 A

LED current 1 mA

Conductor cross-section (flexible) 2.5 mm²

- with green control LED as function light
- 2pole + earth
- with screw terminals

Suitable for

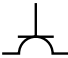
Optional


Sealing IP44 for socket outlets with insulation displacement contacts 9 1853 01


Frame with hinged cover and imprint "IP44" upon request

Earth bracket clamping forces according to TNO requirements.
Not suitable for contact protection boxes (cavity walls).
Connection terminals according to IEC 60884-1
Enhanced contact protection (child protection) according to IEC 60884-1



Design	Order no.	PU
red matt	★ 8 6301 25 17	200
green matt	★ 8 6301 25 13	200
orange matt	★ 8 6301 25 14	200



New  **Socket outlet with earthing pin 45°** ▶ 212



- enhanced contact protection
- insulation-piercing terminals

Rated voltage 250 V~

Rated current 16 A

Conductor cross-section (flexible) 2.5 mm²

- for diagonal installation
- 2pole + earth
- with cutting terminals

Suitable for


Optional


Sealing IP44 for socket outlets with insulation-piercing terminals


Frame with hinged cover and imprint "IP44" from p. 181

Earth bracket clamping forces according to TNO requirements.
Not suitable for contact protection boxes (cavity walls).
Connection terminals according to IEC 60884-1
Enhanced contact protection (child protection) according to IEC 60884-1



Design	Order no.	PU
red matt	★ 8 6351 25 07	200
green matt	★ 8 6351 25 03	200
orange matt	★ 8 6351 25 04	200



New  **Socket outlet with earthing pin 45° and control LED** ▶ 212



- enhanced contact protection
- insulation-piercing terminals

Rated voltage 250 V~

Rated current 16 A

LED current 1 mA

Conductor cross-section (flexible) 2.5 mm²

- with green control LED as function light
- for diagonal installation
- 2pole + earth
- with cutting terminals

Suitable for


Optional

Sealing IP44 for socket outlets with insulation displacement contacts 9 1853 01

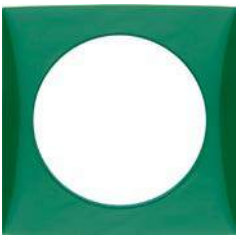
Frame with hinged cover and imprint "IP44" upon request

Earth bracket clamping forces according to TNO requirements.
Not suitable for contact protection boxes (cavity walls).
Connection terminals according to IEC 60884-1
Enhanced contact protection (child protection) according to IEC 60884-1

Design	Order no.	PU
red matt	★ 8 6351 25 17	200
green matt	★ 8 6351 25 13	200
orange matt	★ 8 6351 25 14	200



Frames for special applications - Berker Integro



Frame 1gang

▶ 214

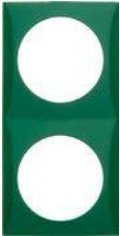
Design	Order no.	PU
Berker Integro - Design Flow		
red glossy	9 1827 25 76	10
green glossy	9 1827 25 70	10
orange glossy	9 1827 25 74	10



Frame 1gang

▶ 214

Design	Order no.	PU
Berker Integro - Design Classic		
red glossy	9 1827 86	10
green glossy	9 1827 87	10
orange glossy	9 1827 88	10



Frame 2gang

▶ 214

Design	Order no.	PU
Berker Integro - Design Flow		
red glossy	8 1826 25 76	100
red glossy	9 1826 25 76	2
green glossy	9 1826 25 70	2
orange glossy	9 1826 25 74	2

– for vertical and horizontal mounting



Frame 3gang

▶ 214

Design	Order no.	PU
Berker Integro - Design Flow		
red glossy	9 1819 25 76	2
green glossy	9 1819 25 70	2
orange glossy	9 1819 25 74	2

– for vertical and horizontal mounting



Frame

- labelling field



Labelling field height arranged for P-touch strips 6 mm.

Design	Order no.	PU
Berker Integro - Design Flow		
red glossy	9 1803 25 76	10
green glossy	9 1803 25 90	10
orange glossy	9 1803 25 94	10

Frame with lens



Frame

- lens upper right / Lens down left

- for socket with indicator LED



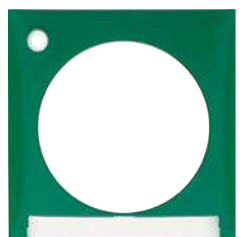
Design

Order no.

PU

Berker Integro - Design Flow

red glossy	9 1987 25 76	10
green glossy	9 1987 25 03	10
orange glossy	9 1987 25 04	10



Frame

- labelling field
- lens upper left / Lens down right

- for socket with indicator LED



Labelling field height arranged for P-touch strips 6 mm.

Design

Order no.

PU

Berker Integro - Design Flow

red glossy	8 1970 25 76	200
green glossy	8 1970 25 03	200
orange glossy	8 1970 25 04	200



Frame

- labelling field
- lens upper right / Lens down left

- for socket with indicator LED



Labelling field height arranged for P-touch strips 6 mm.

Design

Order no.

PU

Berker Integro - Design Flow

red glossy	8 1977 25 76	200
green glossy	8 1977 25 03	200
orange glossy	8 1977 25 04	200

Frames with hinged cover



Frame with hinged cover

- for covering of socket outlets

▶ 214

Design

Order no.

PU

Berker Integro - Design Flow

red glossy	9 1828 25 76	10
green glossy	9 1828 25 70	10
orange glossy	9 1828 25 74	10



Frame with hinged cover

- labelling field

- with 2 labelling field inlays, neutral and perforated for socket outlet with indicator LED
- for covering of socket outlets



Labelling field height arranged for P-touch strips 9 mm.

Design


Order no.

PU

Berker Integro - Design Flow

red glossy	9 1988 25 76	10
green glossy	9 1988 25 03	10
orange glossy	9 1988 25 04	10

IP44 applications

 Marked items are only suitable for splash-protected IP44 flush-mounted installation when used in conjunction with the corresponding sealing accessories and Berker Integro module insert.

 **Frame with hinged cover and imprint "IP44"**

▶ 214



Design

Berker Integro - Design Flow

	Order no.	Page
red glossy	9 1828 25 86	10
green glossy	9 1828 25 90	10
orange glossy	9 1828 25 94	10

- without sealing
- for waterproof covering of socket outlets

Suitable for	Order no.	Page
SCHUKO socket outlets for special applications - Integro		from p. 169
Socket outlets with earthing pin for spec. applications - Integro		from p. 177
Sealing IP44 for socket outlets with insulation-piercing terminals		from p. 181
Order no.		PU

 **Frame with hinged cover and imprint "IP44"**

▶ 214



Design

Berker Integro - Design Classic

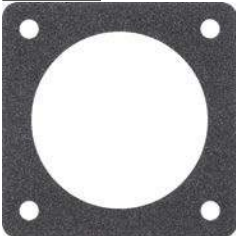
	Order no.	Page
red glossy	9 1828 86	10
green glossy	9 1828 90	10
orange glossy	9 1828 94	10

- without sealing
- for waterproof covering of socket outlets

Suitable for	Order no.	Page
SCHUKO socket outlets for special applications - Integro		from p. 169
Socket outlets with earthing pin for spec. applications - Integro		from p. 177
Sealing IP44 for socket outlets with insulation-piercing terminals		from p. 181
Order no.		PU

New

Sealing IP44 for socket outlets with insulation-piercing terminals



Material thickness	2.5 mm
Cut-out Ø	41 mm

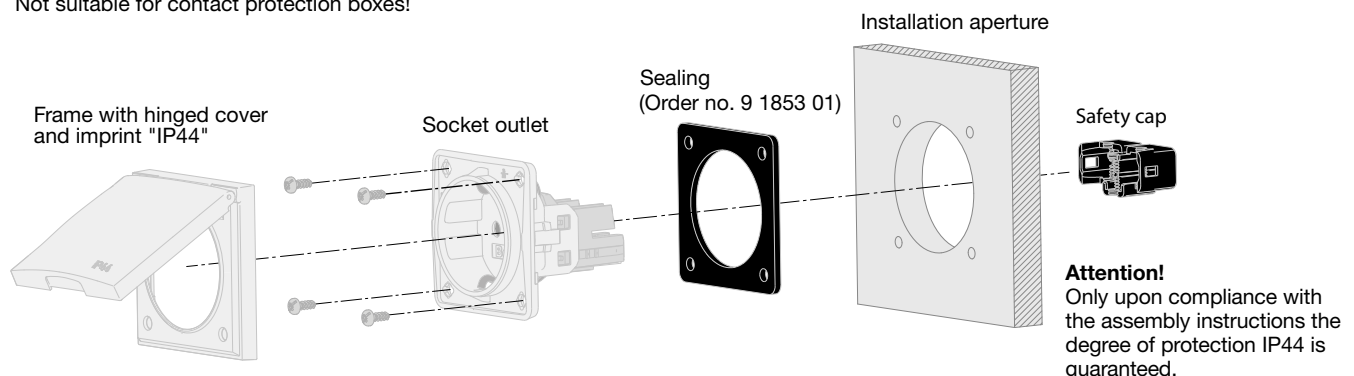
New sealing material:
Cellular rubber, closed cell (EPDM-S), permanently elastic whilst also higher strength. For optimum sealing effect and improved material behaviour during installation.

- for SCHUKO socket outlets with insulation-piercing terminals (frame with hinged cover "IP44" required!)
- for socket outlets with earthing pin and insulation-piercing terminals (frame with hinged cover "IP44" required!)

Suitable for	Order no.	Page
SCHUKO socket outlets with insulation-piercing terminals		from p. 169
Socket outlets with earthing pin and insulation-piercing terminals		from p. 177
Frame with hinged cover and imprint "IP44"		from p. 181
Design	Order no.	PU
black	★ 8 1853 01	200
black	★ 9 1853 01	10

Assembly instructions for IP44 socket outlets with insulation-piercing terminals

Not suitable for contact protection boxes!



Berker Solutions



Berker Solutions

Added customer benefits from customised solutions. Because of the affiliation with the Hager Group, we can offer our customers an even wider range of solutions and services. By customising products to our customers' needs, we can offer new, innovative and added-value product solutions. In this section you will find solutions for reliable power supplies for caravanning, high-quality switch and socket outlet solutions for design-related applications or individually configured trunkings, for example for furnishing hospitals and laboratories.



Berker Manufaktur	186
Berker special cable trunking solutions	188
Berker cable trunking on a roll	190
Berker distribution boards	192

Berker Manufaktur

More and more people are following the trend of not following a trend. For these people there is Berker Manufaktur.

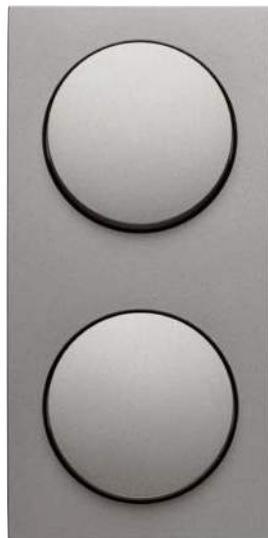
Berker was founded in 1919 as a "Specialised Factory for Electrotechnical Devices". Even our name showed our intention of finding specialised solutions for customers.

And this intention is no different, even today. At Berker Manufaktur, we apply customised labelling, innovative colours and elegant surface finishes to our range of switches. There are many ways to make switches as individual as the customer requires. Because, in principle, all of our switch ranges can be given an individual look. We look forward to receiving your request!

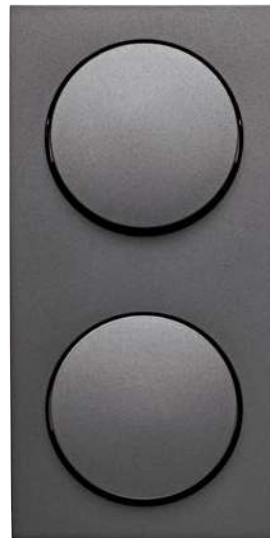
Colouring



Berker Integro – Design Flow
2-gang switch combination
copper, matt, lacquered



Berker Integro - Design Pure
2-gang switch combination
nickel, matt, lacquered



Berker Integro – Design Pure
2-gang switch combination
titanium grey, matt, lacquered



Berker Integro – Design Flow/Pure
Hinged cover black chrome,
glossy, galvanised

Functional overview



Special labelling – Lettering and symbols



Berker Integro – Design Flow hinged cover, with individual printing



Berker Integro switch printed with special symbols

Berker Special cable trunking solutions



Exceptions confirm the rule

Functional furniture and special-purpose vehicle construction have extremely specific installation requirements.

Individual trunking solutions from the Hager Group offer a tailored electrical profile for any situation as well as a special touch in terms of design and quality.

From special lengths and colours to specially developed solutions – we can find the right solution for your needs!

Berker

Cable trunking on a roll

The cable trunking on a roll has a flexible design and can be cut to customised lengths for space-saving storage

and an economical and ecological use of the installation material.



Cable trunkings on a roll, black, (W x H) 12 x 7 mm
Order no. OLFR701209011BE1

Cable trunkings on a roll, polar white, (W x H) 35 x 20 mm
Order no. OLFR2003509010BE1

Cable trunkings on a roll



Cable trunking with double sided adhesive tape

length

20 m

- PVC
- with perforated base
- with factory-made adhesive tape
- lower part and cover of trunking are joined

Purchase quantity of a minimum of 720 m.

Design	Order no.	PU
polar white, Dimensions (W x H) 12 x 7 mm	OLFR701209010BE1	20
polar white, Dimensions (W x H) 15 x 15 mm	OLFR1501509010BE1	20
polar white, Dimensions (W x H) 20 x 20 mm	OLFR2002009010BE1	20
polar white, Dimensions (W x H) 35 x 20 mm	OLFR2003509010BE1	20
black, Dimensions (W x H) 12 x 7 mm	OLFR701209011BE1	20
black, Dimensions (W x H) 15 x 15 mm	OLFR1501509011BE1	20
black, Dimensions (W x H) 20 x 20 mm	OLFR2002009011BE1	20
black, Dimensions (W x H) 35 x 20 mm	OLFR2003509011BE1	20



Cable trunking

length

20 m

- PVC
- with perforated base
- lower part and cover of trunking are joined

Purchase quantity of a minimum of 720 m.

Design	Order no.	PU
polar white, Dimensions (W x H) 12 x 7 mm	OLFR701209010BE2	20
polar white, Dimensions (W x H) 15 x 15 mm	OLFR1501509010BE2	20
polar white, Dimensions (W x H) 20 x 20 mm	OLFR2002009010BE2	20
polar white, Dimensions (W x H) 35 x 20 mm	OLFR2003509010BE2	20

Berker Distribution boards

Distribution boards – essential for leisure vehicles. Every leisure vehicle requires a distribution board for the fuse protection of electrical consumers. The “Caravanning Model” is a stylish distributor solution that is also suitable for assembly in visible areas. Berker Business Solutions

offers you an individual configuration starting from the choice of modular device to the available connection options and includes the personalised labelling of your distribution board. Here you can find the right solutions to suit your requirements.



Distribution board, “Model Caravanning”

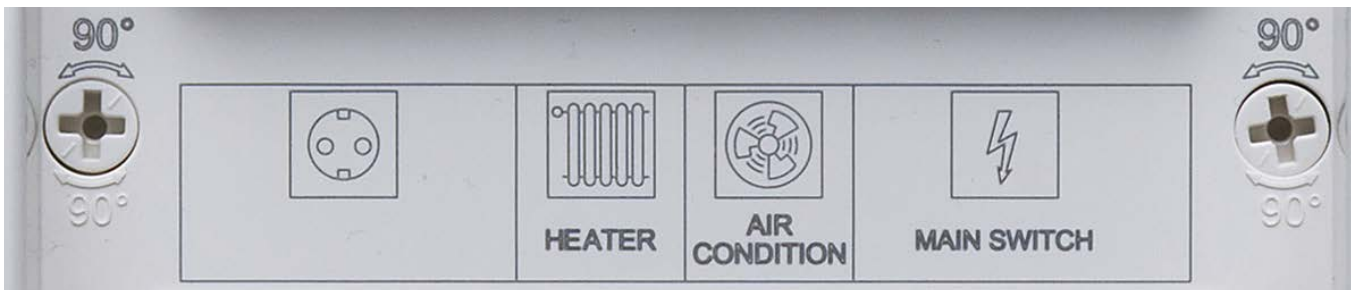
Product features “Model Caravanning”:

- Application range: 230V
- Dimensions:
(W x H x T) 153 x 231 x 94 mm
- Degree of protection: IP 40 only with door
- DIN EN 61439
- Housing colour:
pure white similar to RAL 9010
- Housing made of flame-retardant plastic
- Door available in white or transparent
- Flexible connection options with
Flat connector terminal block, screw
terminals or Wago quick connection
- Wiring according to customer requirements
- Fastening points accessible from outside
without disruptive clips, it is possible to
screw on the housing when it is closed

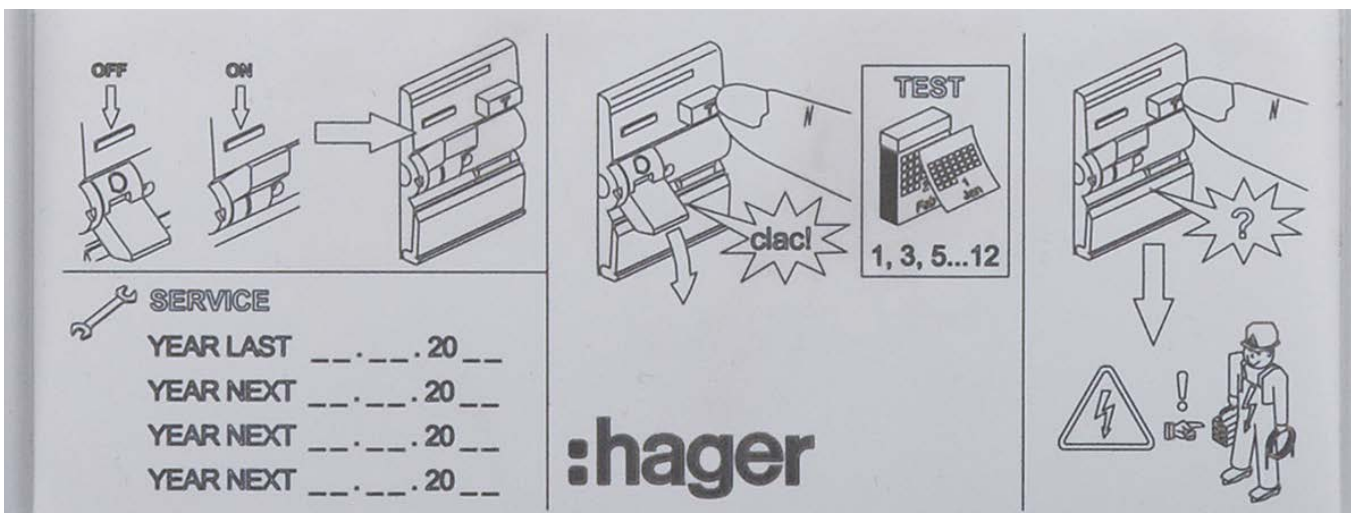




Individual modular device configuration from the Hager product portfolio – residual current circuit-breaker (FI) and wiring protection switch (LS) on 6 units with busbar

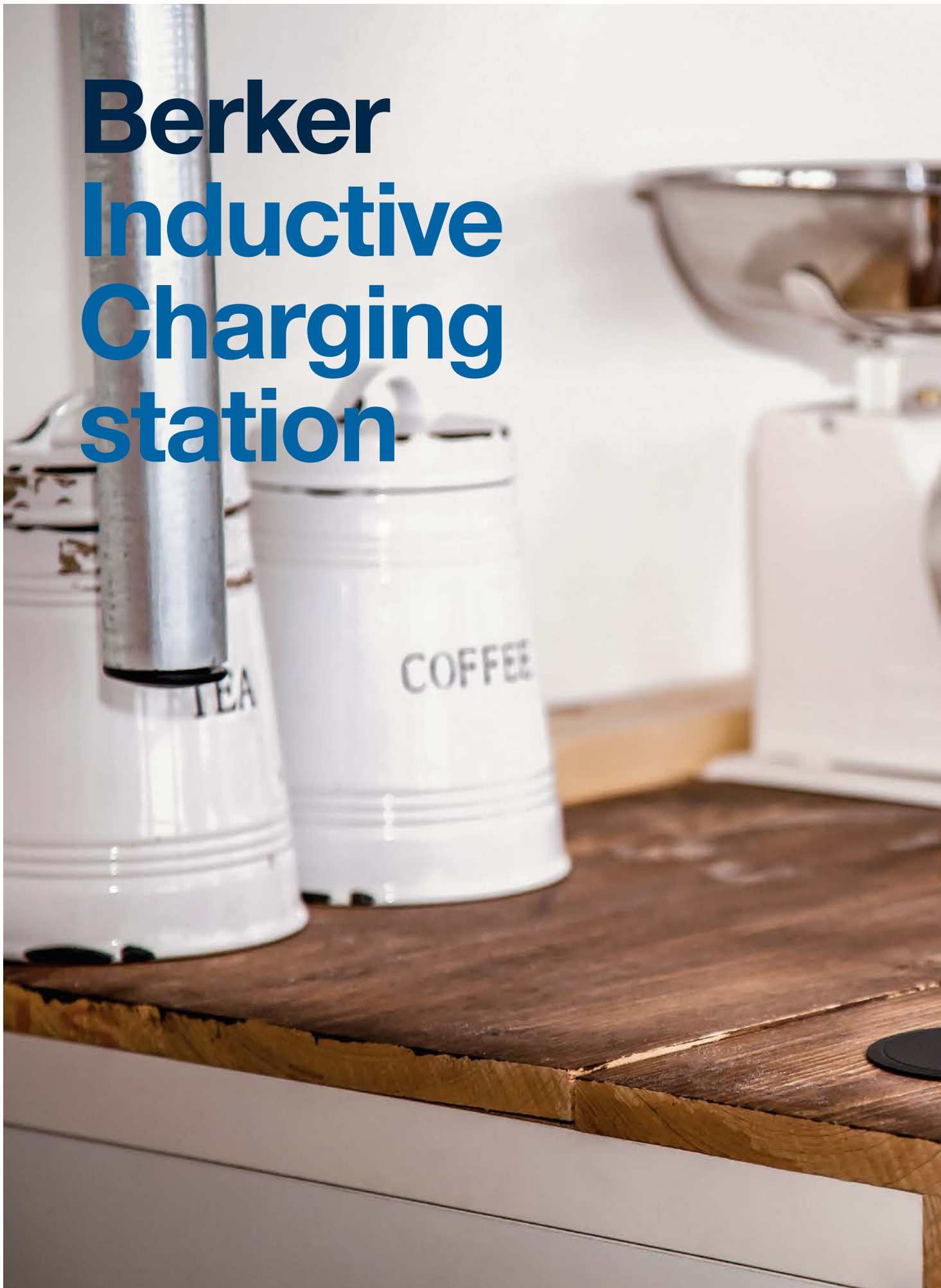


Individually configurable laser printing for clear assignment of fitted modular devices.



Use of clear, comprehensible symbols with information on maintenance intervals, functional test and information on what to do in the event of interference.

Berker Inductive Charging station





Berker
Inductive
charging station

Berker Inductive Charging station

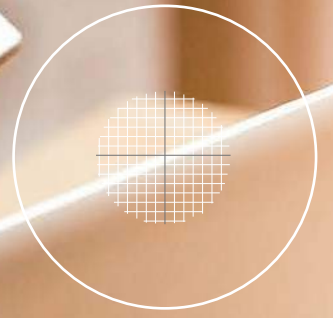
Making phone calls, reading and responding to e-mails, listening to music, keeping in touch with friends – our everyday lives are becoming more and more determined by digital mobility. At least, that's until our mobile devices run out of battery. The inductive charging station from Berker can be integrated in places where they will actually be used, such as in office furniture, restaurant tables and kitchen worktops. In this way, mobile phones will have their fixed positions and can be charged up without the need for any cables. The charging station is embedded in the table or worktop. Depending on the version in question, only the induction field, with its discreet appearance, can be seen from above.



Type 1: The basis	198
Type 2: The convenient	200
Type 3: The concealed	202
Technical data	204

Type 1: The basis

The single-coil type 1 represents the simplest form of inductive charging. As an economic basic solution, it is an ideal addition to offices and studies for doing away with charging cables and additional socket outlets. During installation, an opening is embedded in the table top, after which the inductive charging station is screwed in slightly, leaving the station ready for use. Type 1 has a diameter of 62 mm and is suitable for laminated surfaces, wood, stone, Corian and stainless steel.

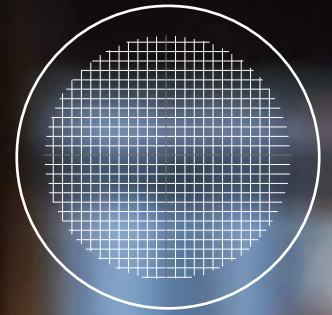


CHARGING
SURFACE
TYPE 1





Type 2: The convenient



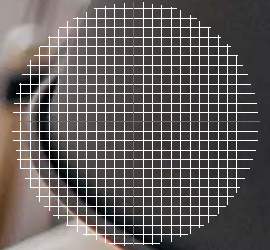
CHARGING
SURFACE
TYPE 2

The patented 7-coil technology of the type 2 allows maximum convenience thanks to a significantly larger contact surface. The mobile phone is charged with the maximum energy even when it is not placed fully on the charging surface. Type 2 has a diameter of 80 mm and – on laminated surfaces, wood, stone, Corian and stainless steel – is just as easy to install as type 1.





Type 3: The concealed



CHARGING
SURFACE
TYPE 3

Hidden away, yet always at your service. Type 3 is attached underneath tables or worktops and allows inductive charging through 5 mm thick materials such as laminated surfaces, wood, stone, Corian and glass. It cannot be seen from above, and it provides an especially wide charging field. This makes it the ideal solution for splash areas in kitchens or in the food service industry, where tables are continually wiped down with water.





A label can be attached in order to visualise the charging surface.

Berker

Inductive charging station

Product	TYPE 1	TYPE 2	TYPE 3
	Installed visibly	Installed visibly	Installed to be concealed underneath the surface
	Reference number: White = 261209 Black = 261205	Reference number: White = 261009 Black = 261005	Reference number: White = 261109 Black = 261105
Charging output	5 W – normal	5 W – normal	5 W – normal
Unique feature	Price	7 coils (patented)	Installed underneath the surface
		Can be positioned anywhere	Large charging surface
Charging speed with Samsung Galaxy S6 (0–100%)	3 hours	3 hours	3 hours
Diameter x device installation depth (without cable)	62 mm x 37 mm	80 mm x 21 mm	80 mm x 21 mm
Installation diameter	62 – 65 mm	80.0 – 80.5 mm	80.0 – 80.5 mm
Installation	Mounted at the top	Mounted at the top/ below the surface	below the surface
Worktop material			
Laminated surface	Insert (raised edge = 1.7 mm)	Insert (raised edge = 1.7 mm)	Material penetration Max. 5 mm
Wood / stone / Corian (or a different solid surface)	Insert or flush	Insert or flush Material penetration Max. 2 mm	Material penetration Max. 5 mm
Stainless steel	Insert (raised edge = 1.7 mm)	Insert (raised edge = 1.7 mm)	Not possible
Glass			Material penetration = 5 mm
Number of coils	1	7	1
Power	5 W	5 W	5 W
Charging current	1000 mA	1000 mA	1000 mA
Suitable for			
Mobile phones / media players	Yes	Yes	Yes
Tablets / laptops	No	No	No
Notes		Required labelling on the working surface – label or etched surface	Required labelling on the working surface – label or etched surface

Easy installation:

TYPE 1 is just slightly screwed in and is then ready for use straight away. **TYPE 2** and **TYPE 3** are bolted in place and are therefore protected against theft.

Qi standard:

The worldwide standard allows numerous mobile phone models from the leading manufacturers to be charged up wirelessly. All Apple iPhones from iPhone 8 can be charged. Thanks to an attractive charging cover, other models from (up to iPhone 7) Apple can be charged without the need for cables.

Charging time:

The average charging time from 0 to 100% is three hours.

Fixed charging point:

No need for charging cables, and no more searching for a free socket outlet.

Suitable for splash areas:

Additional comfort for guests in cafés, bars and restaurants. Very practical – even in your own kitchen.

Instructions for cleaning care



For surfaces made of plastic, metal or glass:

Clean by wiping the surfaces with a moist, soft, lint-free cloth.

Soap-based detergents are suitable for heavier dirt.

Open-pored surfaces made from natural materials are sensitive to grease and dirt. They are to be cleaned with a dry, lint-free cloth only.

For surfaces of stainless steel:

Aggressive external ambient factors or direct treatment can damage the material. This can result in rust or discoloration.

We recommend cleaning and impregnating stainless steel parts several times a year with special cleaning and care products intended for stainless steel products. Please observe the instructions for use of the cleaning material, as it may not be suitable for use with plastics or fine metallic surface finishes.

Applies to all surfaces:

Abrasives and polishes, acid-based (scale removing) detergents and detergents containing chlorine as well as alkaline-based detergents will generally damage all surfaces.

Moreover, painted/lacquered surfaces must not come in contact with detergents that contain alcohol.

All surfaces are resistant to:

- 1% surfactant solution
- Glass cleaner
- Methylated spirits
- Pharmacy quality cleaning solvent

It should be noted that the effect of different cleaning/disinfectant agents on a surface can be significantly influenced by exposure time, mixture ratio and ambient temperature.

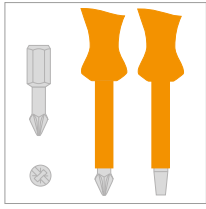
The above information is based on current knowledge and experience.

Technical information

Installation instructions / socket outlets	210
<hr/>	
Berker Integro Module inserts	211
<hr/>	
Berker Integro Socket outlets with insulation-piercing terminals	212
<hr/>	
Berker Integro Contact protection boxes	213
<hr/>	
Berker Integro – Dimensional drawings Designs Flow / Classic / Pure	214
<hr/>	
Berker Twin-Box	215
<hr/>	
Berker Integro Box	216
<hr/>	
Built-in modules 45 x 45 Dimensional drawings / Installation instructions	217
<hr/>	
Built-in socket outlets Dimensional drawings	219
<hr/>	
Testing, administrative, trademarks, switching symbols and symbols	222
<hr/>	
Conditions of sale, delivery and payment	223
<hr/>	
Product overview	224
<hr/>	

Installation instructions

Tool size for processing Berker products



The products have combination screws that can be processed with cross-head as well as flat-blade screwdrivers.

Tool sizes for contact screws:

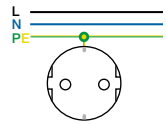
- Cross-head bits: Pozi-Drive, size 2
- Cross-head screwdrivers: Pozi-Drive, size 2
- Slot screwdrivers: blade thickness 1 mm

Tool sizes for fixing screws:

- Cross-head bits: Pozi-Drive, size 1
- Cross-head screwdrivers: Pozi-Drive size 1.
- Slot screwdrivers: Blade thickness 0.8 mm.

i When using cordless screwdrivers a maximum torque of 0.5 Nm should be used.

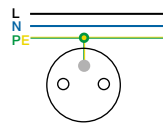
International socket outlets



Use in:

AF/AM/AT/AZ/BA/BE/BF/BG/BI/BJ/BY/CF/CS/CZ/DE/EE/EG/ER/ES/FI/GE/GL/GR/HR/HU/ID/IR/IS/IT/KR/KZ/LB/LT/LU/LV/LW/LY/MD/MK/MR/MZ/NL/NO/PE/PT/PY/RO/RU/RW/SA/SE/SI/SM/SO/SR/SY/TJ/TR/UA/UY/UZ

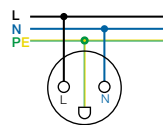
Figure 1: SCHUKO socket outlet* – 2-pin + earth, 250 V~, 16 A



Use in:

AD/BE/CG/CI/CM/DJ/DZ/FR/GF/GN/GP/KH/KM/MA/MG/ML/PL/SK/SN/SY/TD/TG/TN/VN

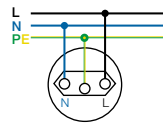
Fig. 2: Socket outlet with earthing pin FRANCE/BELGIUM* – 2-pin + earth, 250 V~, 16 A



Use in:

DK/GL

Fig. 3: Socket outlet with earthing contact DENMARK – 2-pin + earth, 250 V~, 13 A

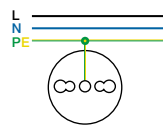


Use in:

CH Type 13 (left Fig.)

CH Type 23 (right Fig.)

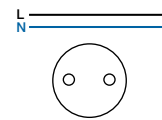
Fig. 4: Socket outlet with earthing contact SWITZERLAND – 2-pin + earth, type 13: 250 V~, 10 A; type 23: 250 V~, 16 A



Use in:

AL/CL/ET/IT/LY/SY

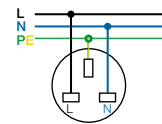
Fig. 5: Socket outlet with earthing contact ITALY* – 2-pin + earth, 250 V~, 16 A



Use in:

AO/NL

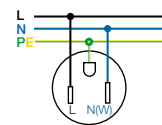
Fig. 6: Socket outlet without earthing contact NETHERLANDS* – 2-pin, 250 V~, 16 A



Use in:

AE/AG/BN/BW/CY/GB/GD/GH/GM/HK/IE/IQ/KE/KW/LR/MT/MW/MY/OM/SL/TZ/YE/ZA/ZW

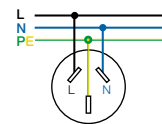
Fig 7: Socket outlet with earthing contact BRITISH STANDARD, standard: BS 1363 Part 2 – 2-pin + earth, 250 V~, 13 A



Use in:

CA/GT/GY/HH/HT/KP/LA/MX/PA/PH/PR/SV/TH/TW/US/VE

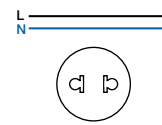
Figure 8: Socket outlet with earthing contact USA/CANADA NEMA 5–15 R – 2-pin + earth, 125 V~, 15 A



Use in:

AR/AU/FJ/NZ/AR/AU/FJ/NZ

Fig. 9: Socket outlet with earthing contact AUSTRALIA – 2-pin + earth, 250 V~, 10 A (left Fig.); 250 V~, 15 A (right Fig.)



Use in:

CA/GT/GY/HH/HT/KP/LA/MX/PA/PH/PR/SV/TH/TW/US/VE

Figure 10: Socket outlet without earthing contact EURO-AMERICAN STANDARD* – 2-pin, 250 V~, 10 A

* Non-polarised system - without specification for the connection of the external wire and neutral wire

Country abbreviations in accordance with ISO 3166

AD Andorra	BN Brunei	EE Estonia	GR Greece	KP North Korea	MT Malta	RU Russia	TM Turkmenistan
AE United Arab Emirates	BW Botswana	EG Egypt	GT Guatemala	KR South Korea	MW Malawi	RW Ruanda	TN Tunisia
AF Afghanistan	BY Belarus	ER Eritrea	GY Guyana	KW Kuwait	MX Mexico	SA Saudi Arabia	TR Turkey
AG Antigua	CA Canada	ES Spain	HK Hong Kong	KZ Kazakhstan	MY Malaysia	SE Sweden	TW Taiwan
AL Albania	CF Central Africa Republic	ET Ethiopia	HN Honduras	LA Laos	MZ Mozambique	SI Slovenia	TZ Tanzania
AM Armenia	CG Congo	FI Finland	HR Croatia	LB Lebanon	NL Netherlands	SK Slovakia	UA Ukraine
AO Angola	CH Switzerland	FJ Fiji	HT Haiti	LR Liberia	NO Norway	SL Sierra Leone	US USA
AR Argentina	CI Côte d'Ivoire	FR France	HU Hungary	LT Lithuania	NZ New Zealand	SM San Marino	UY Uruguay
AT Austria	CL Chile	GB Great Britain	ID Indonesia	LU Luxembourg	OM Oman	SN Senegal	UZ Uzbekistan
AU Australia	CM Cameroon	GD Grenada	IE Ireland	LV Latvia	PA Panama	SO Somalia	PU Venezuela
AZ Azerbaijan	CS Serbia and Montenegro	GE Georgia	IQ Iraq	LY Libya	PE Peru	SR Surinam	VN Vietnam
BA Bosnia and Herzegovina	CY Cypress	GF French Guiana	IR Iran	MA Morocco	PH Philippines	SV El Salvador	YE Yemen
BE Belgium	CZ Czech Republic	GH Ghana	IS Iceland	MD Moldavia	PL Poland	SY Syria	ZA Zambia
BF Burkina Faso	DE Germany	GL Greenland	IT Italy	MG Madagascar	PR Puerto Rico	TD Chad	ZW Zimbabwe
BG Bulgaria	DJ Djibouti	GM Gambia	KE Kenya	MK Macedonia	PT Portugal	TG Togo	
BI Burundi	DK Denmark	GN Guinea	KH Cambodia	ML Mali	PY Paraguay	TH Thailand	
BJ Benin	DZ Algeria	GP Guadeloupe	KM Comoros	MR Mauritania	RO Rumania	TJ Tajikistan	

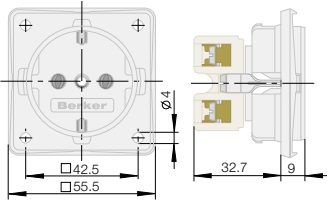
Berker Integro Module inserts

i Flat-head screws, size M3 or M3.5 must be used to fasten the inserts.

Socket outlets

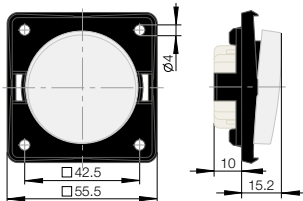
Dimensional drawing

Socket outlets of international plug-and-socket systems have insertion depths that are different from those of SCHUKO socket outlets (Table 1).



Rocker switch/rocker push-button

Dimensional drawing



Socket outlet system	Installation depth
SCHUKO socket outlet with plug-in terminals	32.7 mm
SCHUKO socket outlet with screw terminals	32.5 mm
SCHUKO socket outlet with installation-piercing terminals	46.5 mm
Socket outlet with earthing contact, USA/CANADA, NEMA 5-15 R	19.5 mm
Socket outlet with earthing contact, USA/CANADA, NEMA 6-20 R	19.5 mm
Socket outlet with earth contact AUSTRALIA	16.5 mm
Socket outlet with earthing contact DENMARK	27.5 mm
Socket outlet with earthing contact ITALY	34.0 mm
Socket outlet with earthing contact, SWITZERLAND, type 13	28.0 mm
Einbauöffnung Socket outlet with earthing contact, SWITZERLAND, type 23	28.0 mm
Socket outlet with earth contact BRITISH STANDARD	20.5 mm
Socket outlet with earthing pin FRANCE/BELGIUM with screw terminals	29.5 mm
Socket outlet with earthing pin FRANCE/BELGIUM with installation-piercing terminals	43.5 mm
Socket outlet without earth contact NETHERLANDS	29.6 mm
Socket outlet without earthing contact EURO-AMERICAN STANDARD	21.3 mm

Table 1: Installation depth of different plug and socket systems

Multimedia modules

Cinch modules

Cinch (RCA) is the designation of standardised connectors for transmitting electrical signals, primarily via coaxial cables. Use of other cable types is not widespread, however it is possible.

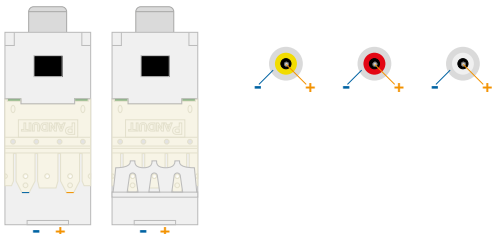


Figure 1: Polarity for cinch modules

S-Video module

The S-Video (also known as Separate Video, Y/C) module is used for separate transmission of brightness (luminance) and colour (chrominance or chroma) information.

i Cable length should not exceed 10 m.

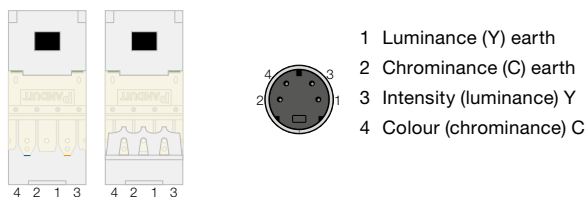


Figure 2: Contact assignment of the S-Video module

VGA module

The VGA module is used to connect display devices on a graphic card. Depending on the quality, VGA cables can be susceptible to interference at lengths of under 5m, or they can still transmit a good signal at lengths in excess of 30 m. Cables suited for high frequency with a coaxial structure for the colour channels are advantageous.

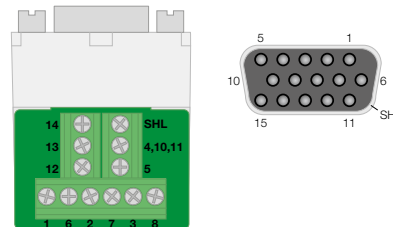


Fig. 3: Pinout of the VGA modules

PIN	Transmission signal	wire
1	red	Coaxial wire
2	green	Coaxial wire
3	blue	Coaxial wire
4*	Monitor ID Bit 2	Twisted pair wire (optional connection)
5	Ground	Twisted pair wire
6	Red ground	Coaxial shielding
7	Green ground	Coaxial shielding
8	Blue ground	Coaxial shielding
9	-	-
10*	Synchronous ground	Twisted pair wire
11*	Monitor ID bit 0 or digital ground	Twisted pair wire (optional connection)
12	Monitor ID bit 1	Twisted pair wire (optional connection)
13	Horizontal synchronisation	Wire 1
14	Vertical synchronisation	wire 2
15	Monitor ID bit 3	-
SHL	Housing shielding	External shielding

*are connected together on one terminal

Table 2: Contact pinouts of the VGA modules

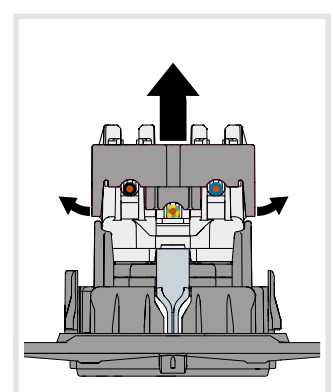
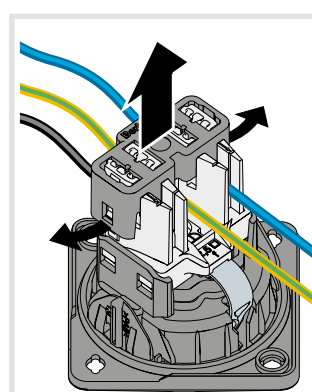
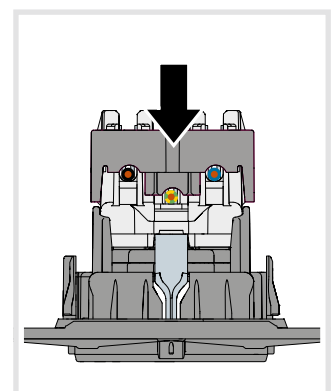
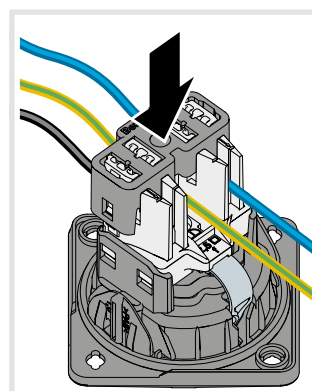
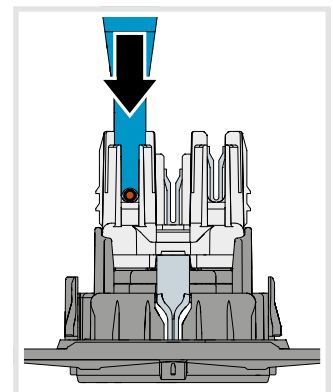
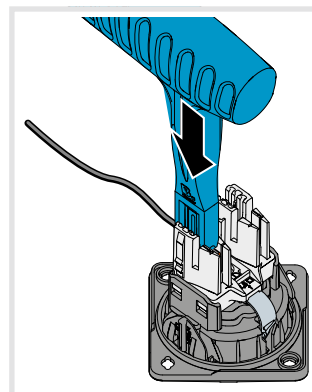
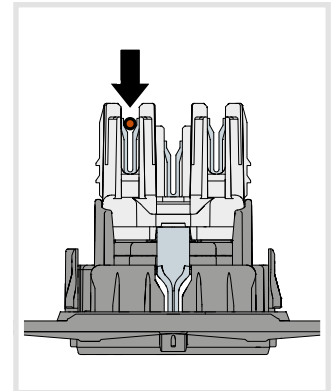
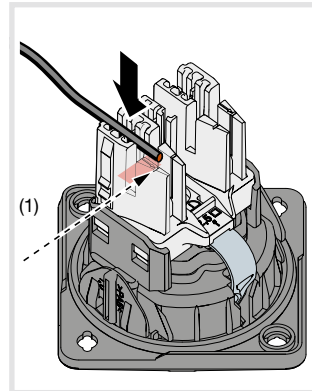
Connection of insulation-piercing terminals

Correct use

- Only suitable for connection with finely stranded (flexible) cables (2.5 mm²).
- Connection of a maximum of 2 cables per terminal connection.
- Connection of continuous cables.
- Connection of end of cables
- Only for use in self-contained systems (e.g. trunkings)

Connect insulation-piercing terminals

- Insert cable form above in the insulation-piercing terminal until resistance is felt.
- i** Insert the cable ends in such way that they lie in the red marked area, but extend at most to the marking notch (1).
- Position the joining tool and push the cable firmly into the terminal as far as it will go.
- After connecting all cables, attach the safety cap. Depending on the assignment of 1 or 2 cables per terminal connection, use the first or second notch.
- i** In addition to the connection of cable ends (sw), the diagram shows the principle of looping through of wires (gnge, bl) as an example.



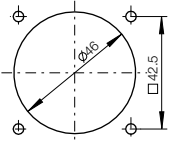
Remove the safety cap

- Slightly lift the notching tongues and remove the safety cap.

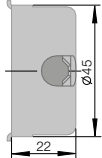
Contact protection boxes (cavity walls)

Dimensional drawings

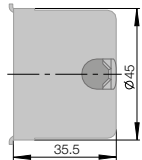
Installation cutout Ø 46 mm



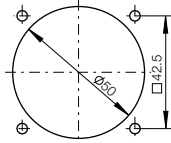
9 1820 01 9 1820 03



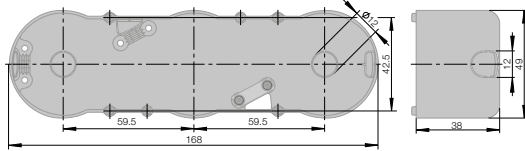
9 1820 9 1820 02



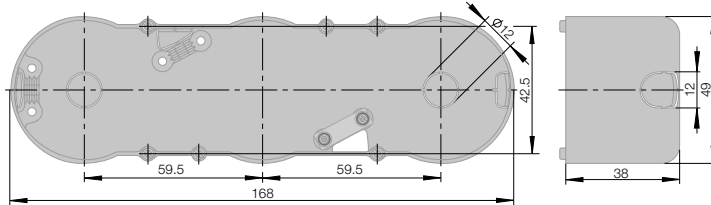
Installation cutout Ø 50 mm



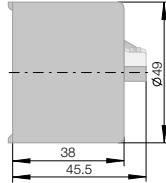
9 1915 01 9 1915 02



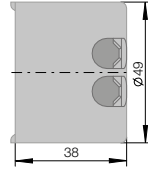
9 1933



9 1883

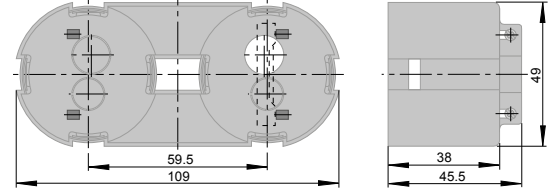


9 1887 01



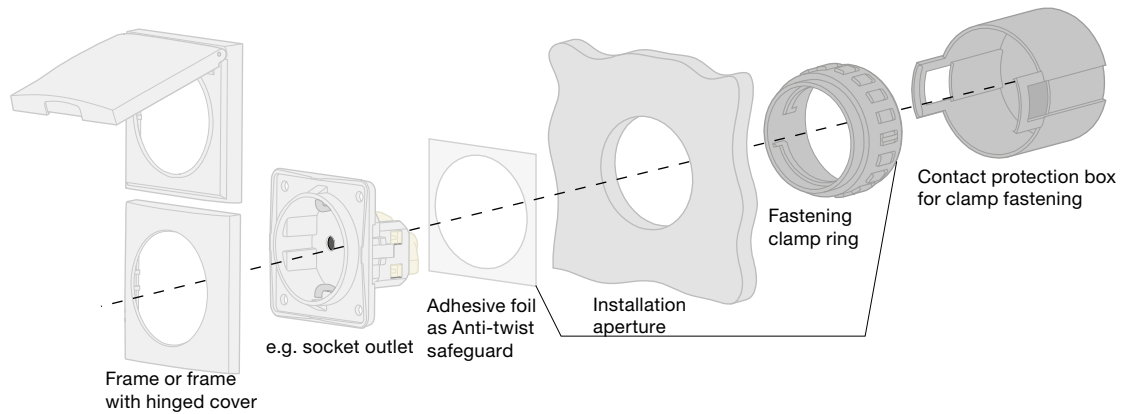
i The strain reliefs are not suitable for flat hose lines of 0.75 mm².

9 1911 .. 9 1912 ..



Mounting with clamp fastening

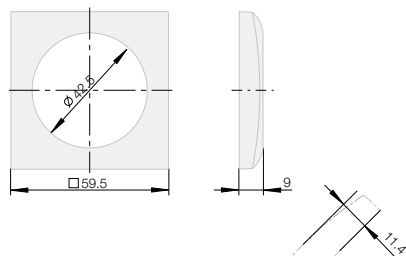
e.g. in a mirror



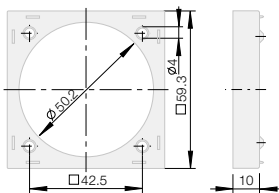
Berker Integro, Design Flow

Dimensional drawings

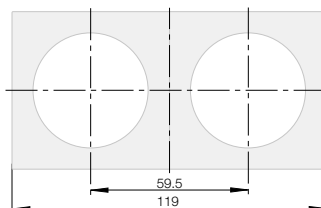
Frame 1gang



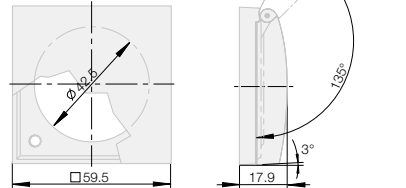
Surface-mounted spacer ring



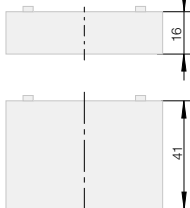
Frame 2gang



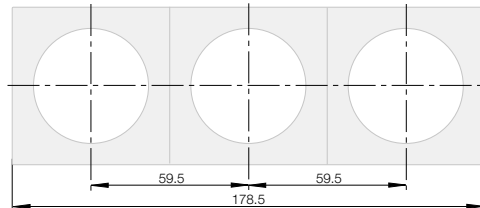
Frame with hinged cover



Surface-mounted housing



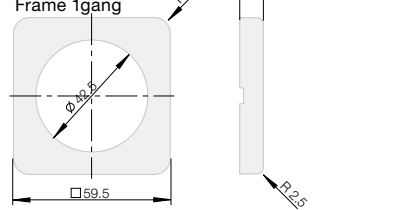
Frame 3gang



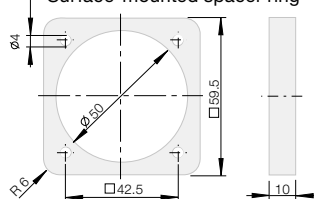
Berker Integro, Design Classic

Dimensional drawings

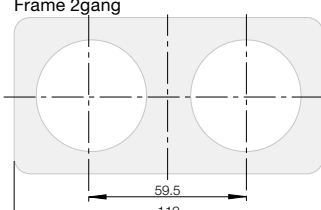
Frame 1gang



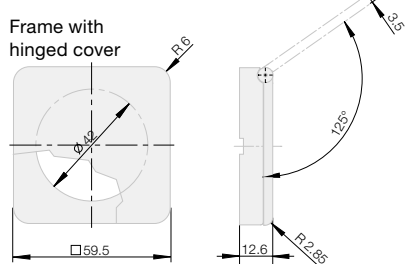
Surface-mounted spacer ring



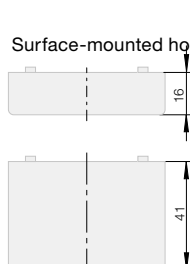
Frame 2gang



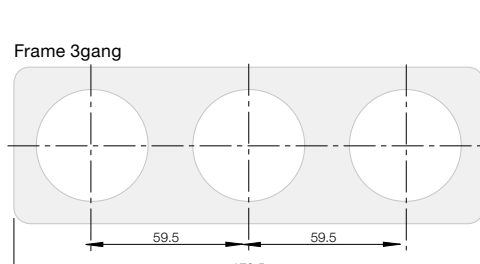
Frame with hinged cover



Surface-mounted housing



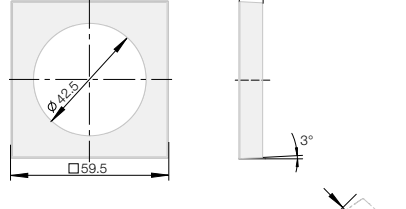
Frame 3gang



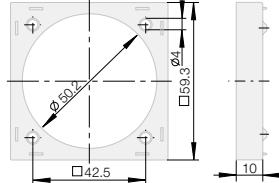
Berker Integro, Design Pure

Dimensional drawings

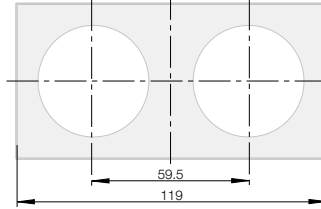
Frame 1gang



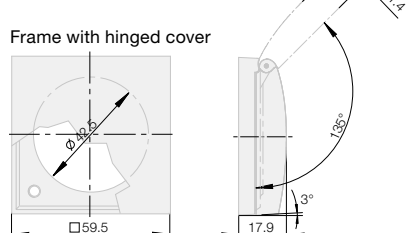
Surface-mounted spacer ring



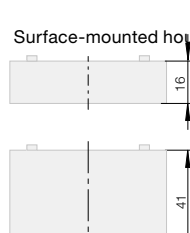
Frame 2gang



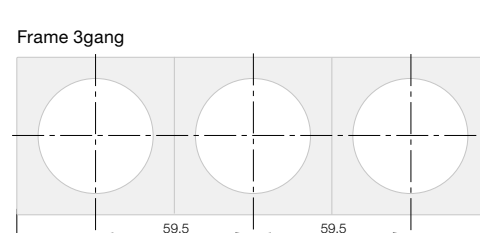
Frame with hinged cover



Surface-mounted housing

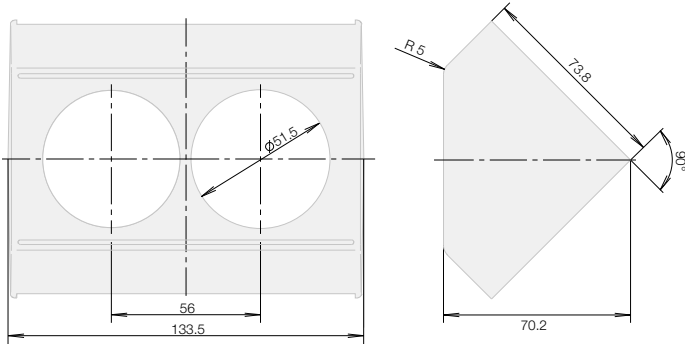


Frame 3gang



Berker Twin-Box

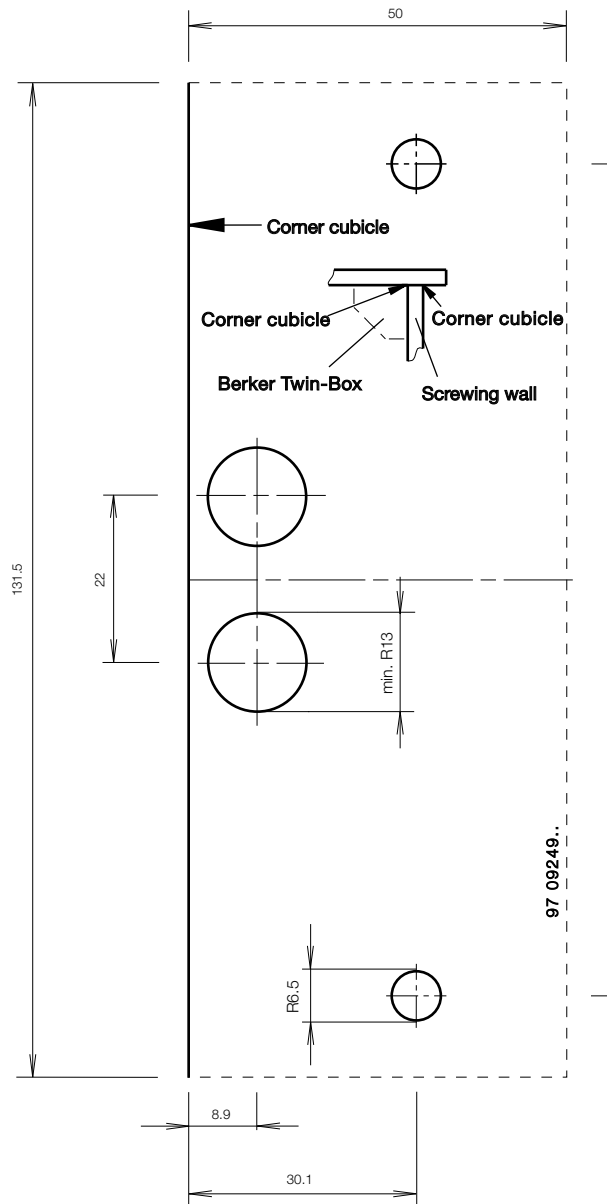
Dimensional drawing



Twin-Box combination	Lead (Type H05VV-F)			Light fitting cable (Type H05VV-F)		
	Number of wires	Cross section	Length	Number of wires	Cross section	Length
1948 02	3	1.5 mm ²	1.5 m	-	-	-
1948 08	3	1.5 mm ²	1.5 m	2	0.75 mm ²	1.5 m
1948 12	4	1.5 mm ²	1 m	2	0.75 mm ²	1.5 m
1948 13	3	1.5 mm ²	1.5 m	2	0.75 mm ²	1.5 m
1948 14	3	1.5 mm ²	1.5 m	2	1.5 mm ²	1.5 m
1948 16	3	2.5 mm ²	1.5 m	3	2.5 mm ²	1.5 m
1948 17	3	1.5 mm ²	1.5 m	3	0.75 mm ²	1.5 m
1948 18	3	1.5 mm ²	1.5 m	-	-	-
1948 19	3	2.5 mm ²	1.5 m	-	-	-
1948 20	3	1.5 mm ²	1.5 m	2	0.75 mm ²	1.5 m
1948 21	3	1.5 mm ²	1 m	-	-	-
1948 22	3	1.5 mm ²	1 m	-	-	-
1948 23	3	1.5 mm ²	1 m	-	-	-
1948 24	3	1.5 mm ²	1 m	-	-	-
1948 25	3	2.5 mm ²	1.5 m	-	-	-
1948 26	3	2.5 mm ²	1.5 m	3	1.5 mm ²	1.5 m
1948 27	3	1.5 mm ²	1.5 m	3	1.5 mm ²	1.5 m
1948 28	3	2.5 mm ²	1.5 m	-	-	-
1948 29	3	1.5 mm ²	1.5 m	-	-	-
1948 30	3	1.5 mm ²	1.5 m	-	-	-

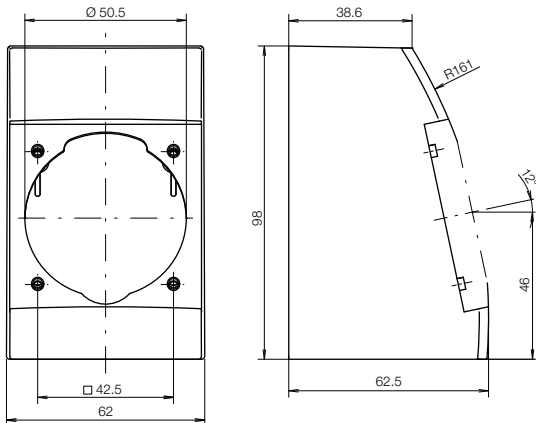
Table 3: Twin-Box pre-assemblies

Berker Twin-Box assembly aid

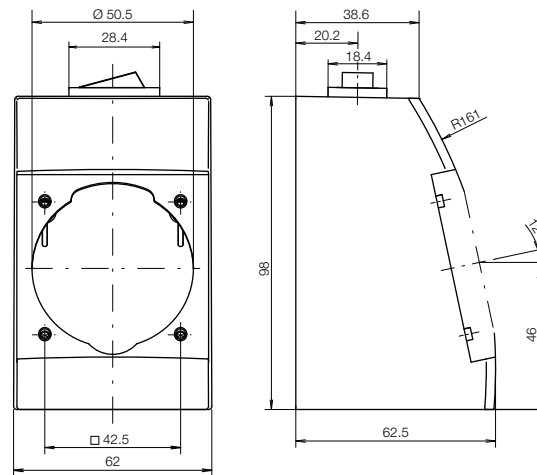


Berker Integro Box

Assembly set



Assembly set with on/off switch



Installation instructions

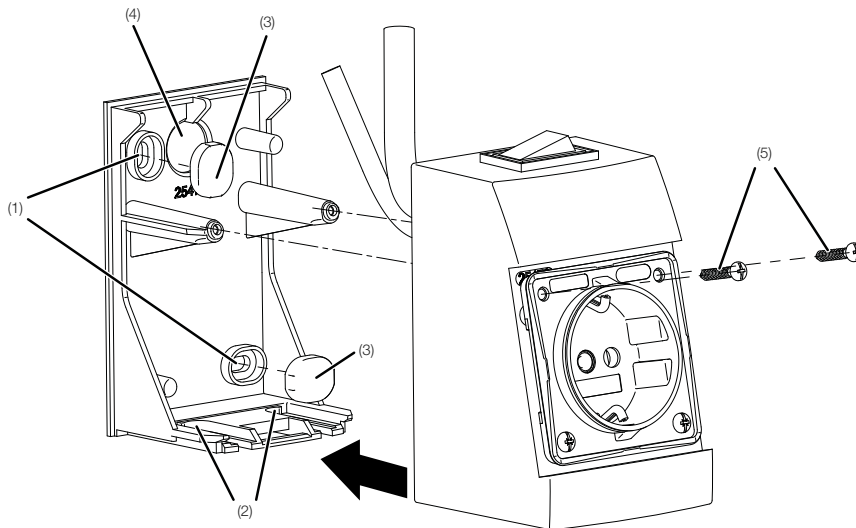


Figure 1: Lower part and cover

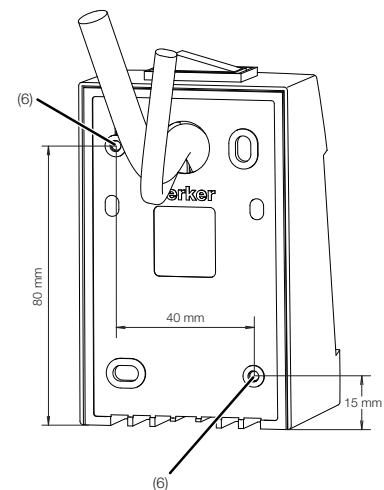


Figure 2: Dimensions for rear mounting of the complete device

- (1) Screw holes for mounting on mirror cabinet rear panel (front view)
- (2) Screw holes for mounting on mirror cabinet floor
- (3) Protection covers
- (4) Cable entry
- (5) Screws (supplied)

- (6) Fastening points for mounting the complete device (rear view)

Mounting the Integro Box

- Fasten lower part of the Integro Box to the mirror cabinet rear panel using suitable screws (1).
- Cover screw holes using the protective covers supplied (3).
- or
- Fasten lower part of the Integro Box to the mirror cabinet floor using suitable screws (2).
- Insert cables through the opening provided (4).
- Push cover onto the lower part until it engages.
- Fasten cover to the lower part using the screws supplied (5).

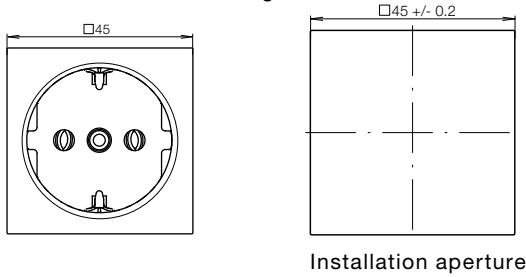
The Integro Box can also be screwed to the rear panel of the mirror cabinet in assembled state using the fastening points (6) provided (**Figure 2**). Suitable screws are available upon request.

Built-in modules 45 x 45

i The built-in modules 45 x 45 are snapped into place in the installation opening using the "SNAP-IN method" and can thus be installed without the need for tools.
Width 1 module unit = 22.5 mm.

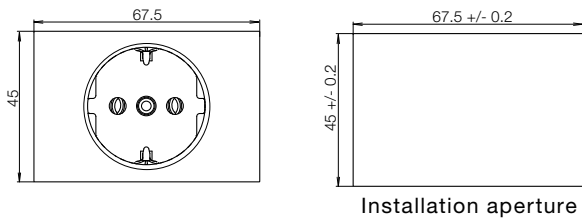
Built-in SCHUKO socket-outlet SNAP IN 4.6 mm, 2 module units

- for installation in cable trunkings



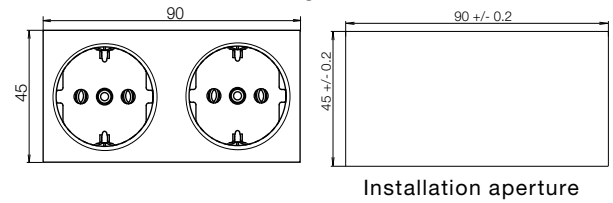
Built-in SCHUKO socket outlet SNAP IN 4.6 mm, 3 module units

- for installation in cable trunkings



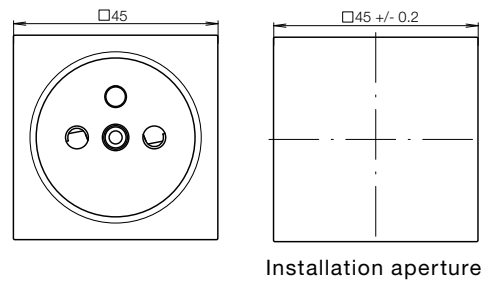
Built-in SCHUKO double socket outlet SNAP IN 4.6 mm, 4 module units

- for installation in cable trunkings



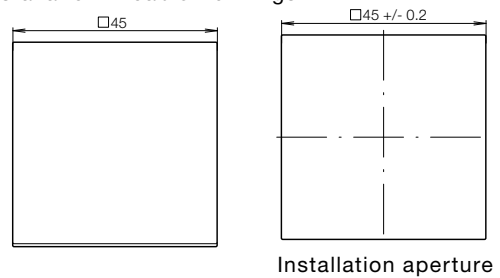
Built-in socket outlet with earthing contact SNAP IN 4.6 mm, 2 module units

- for installation in cable trunkings



Built-in change-over switch SNAP IN 4.6 mm

- for installation in cable trunkings

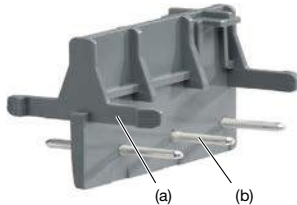


Installation of several socket outlets via connection adapter

Several socket outlets have to be connected via a connection adapter (order no. WS120).

The connection adapter is used for quick installation for the following types:

- WS172, WS172E, WS172N, WS172V, WS185
- WS173, WS173E, WS173N, WS173V, WS186
- WS121, WS121E, WS121N, WS121V
- WS122, WS122E, WS122N, WS122V
- WS123, WS123E, WS123N, WS123R, WS123V



The connection adapter is inserted into the plug-in terminals of the socket outlet with its contact pins.

The connection bridges must snap into place.

- (a) Connection bridge
- (b) Contact pin

Installation

Only in the first socket outlet module is the connection cable inserted into the plug-in terminals.



- Insert the connection adapter into the plug-in terminals of the socket outlet module in the correct position.
- i** Pay attention to correct polarity (labelling of the terminals).
- Insert connection adapter with socket outlet module into the plug-in terminals of the next socket outlet module in the correct position.



Dismantling

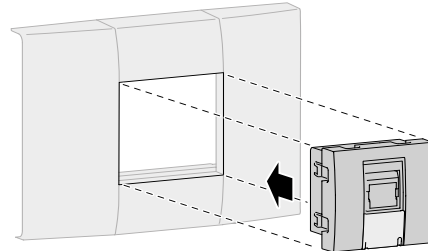
! Before dismantling, make sure that no voltage is present. Cover all live parts.

- To dismantle or separate the socket outlet modules, push in the connection bridges on both sides using a slot screwdriver.
- Pull socket outlet modules apart.



Installation in installation aperture

- Prepare the installation opening for the corresponding module.
- Connect module.
- Snap module into place in the installation opening (Example: FCC socket outlet).



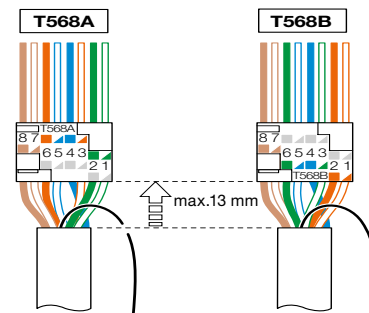
Data communication

Connection technology

There are two types of connection variants in the data communication:

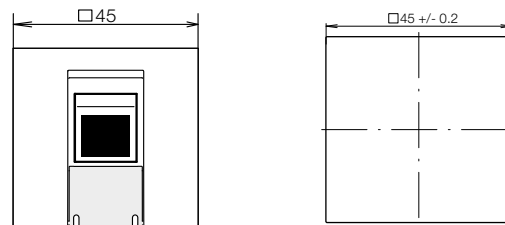
- T568 A
- T568 B

The difference between both variants lies in the assignment of the green/green-white and orange/orange white wire pair.



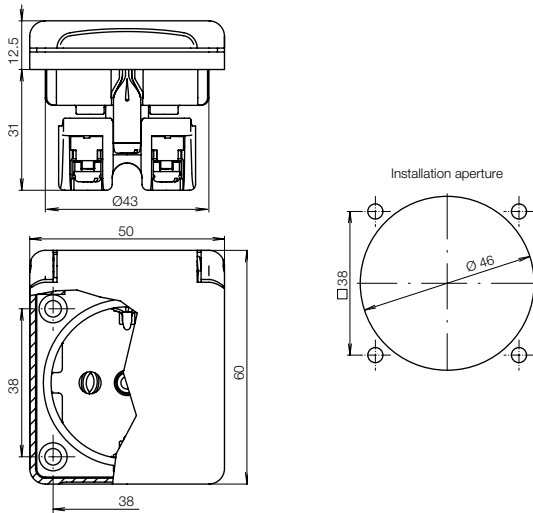
- i** The twisted pair wires (twisted pair) must not be drilled more than 13 mm, as otherwise the transmission properties will change.
- i** In the case of shielded cables, apply the shield.

FCC socket outlet 8pole shielded, Cat.6 SNAP IN 4.6 mm



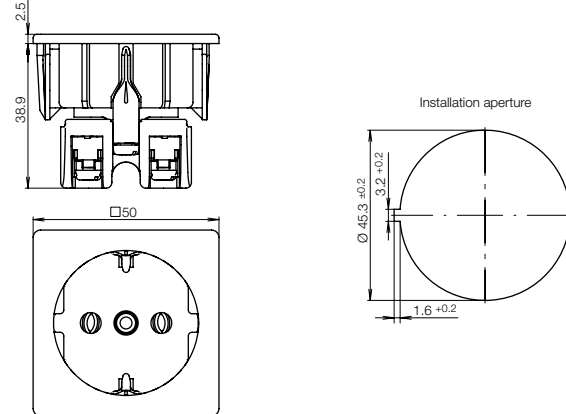
Built-in SCHUKO socket outlets

Built-in SCHUKO socket outlet with hinged cover 50 x 60 mm

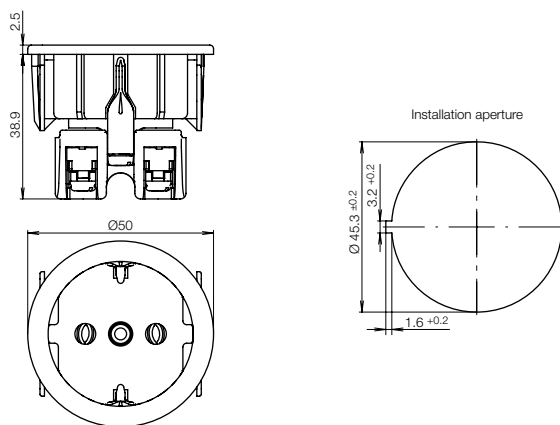


Built-in SCHUKO socket outlet with centre plate 50 x 50 mm, SNAP IN

- for different installation wall thicknesses

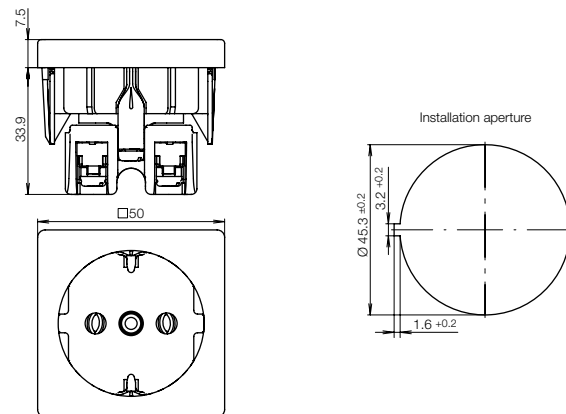


Built-in SCHUKO socket outlet with centre plate Ø 50 mm, SNAP IN - for different installation wall thicknesses

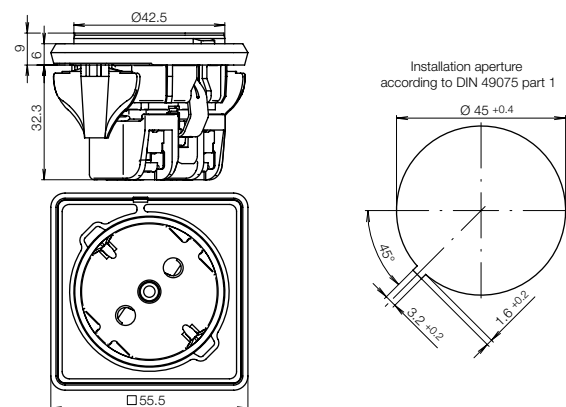


Built-in SCHUKO socket outlet with centre plate 50 x 50 mm, SNAP IN 0.6 - 1.5 mm

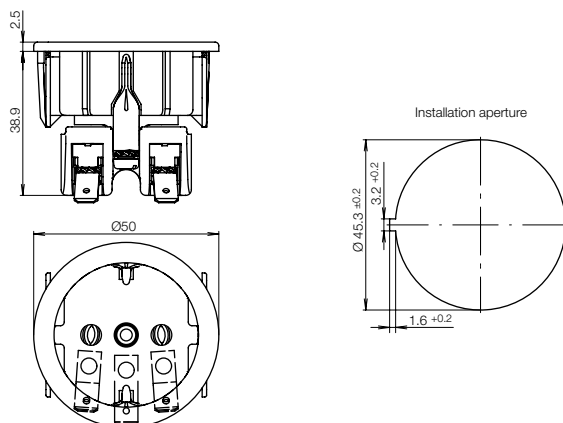
- installation depth 33.9 mm



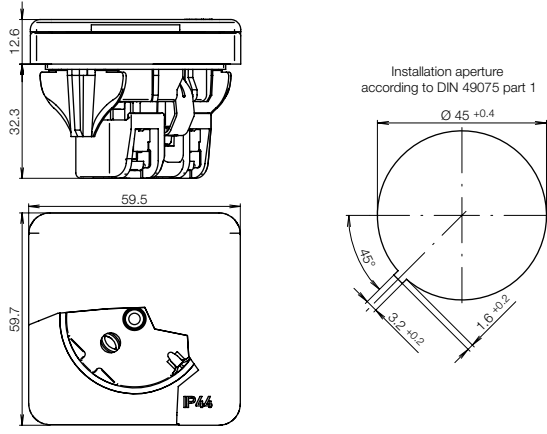
Built-in 45° SCHUKO socket outlet SNAP IN 1.3 - 2.2 mm



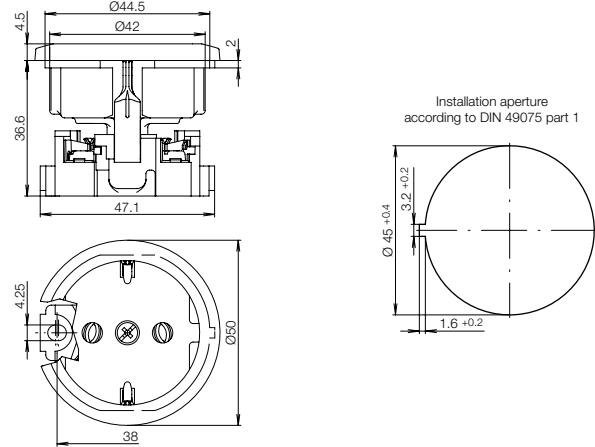
Built-in SCHUKO socket outlet with centre plate Ø 50 mm, SNAP IN 0.6 - 1.5 mm - with flat connection



**Built-in SCHUKO socket outlet 45°
with hinged cover, SNAP IN 1.3 - 2.2 mm**

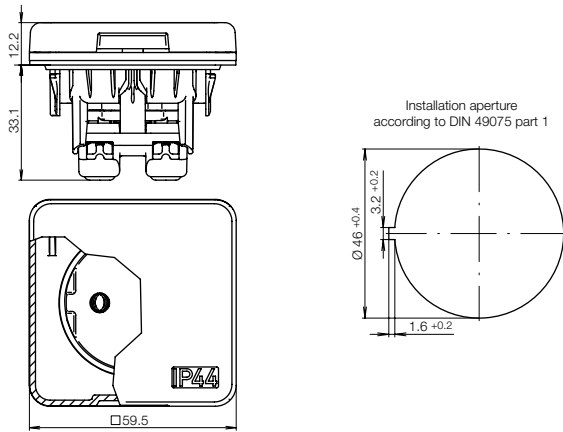


**Built-in SCHUKO socket outlet
with centre plate Ø 50 mm**

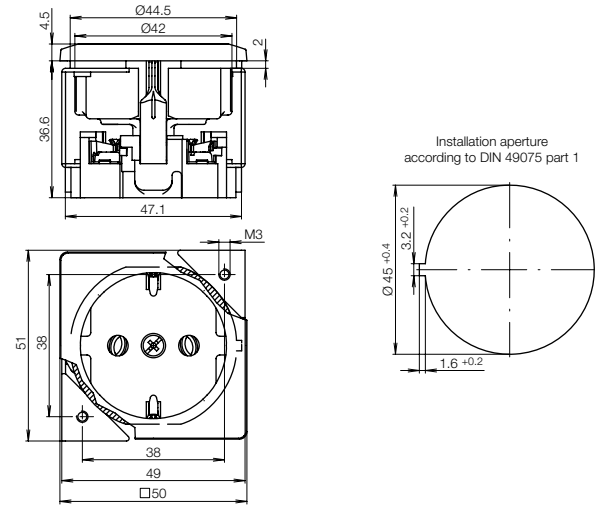


**Built-in SCHUKO socket outlet
with hinged cover 59.5 x 59.5 mm, SNAP IN, IP44**

- for different built-in wall thicknesses

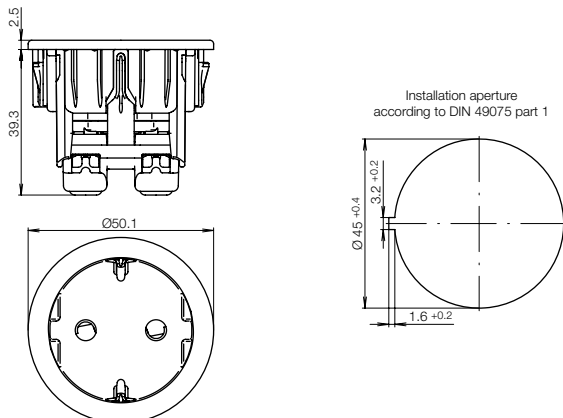


**Built-in SCHUKO socket outlet
with centre plate 50 x 50 mm and supporting angle**



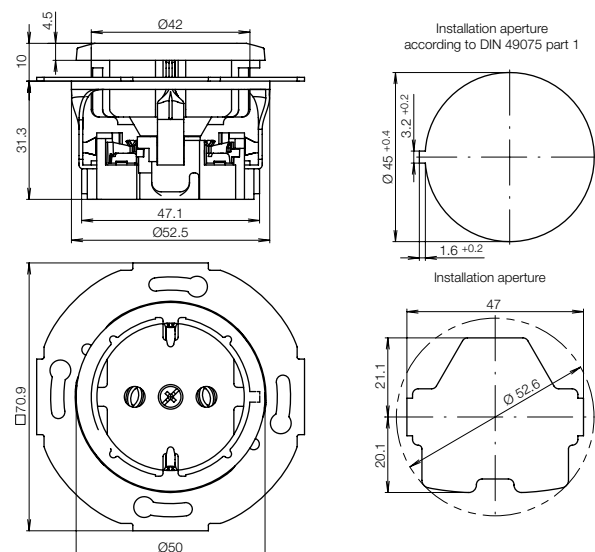
**Built-in SCHUKO socket outlet
with centre plate Ø 50 mm, SNAP IN**

- for different built-in wall thicknesses

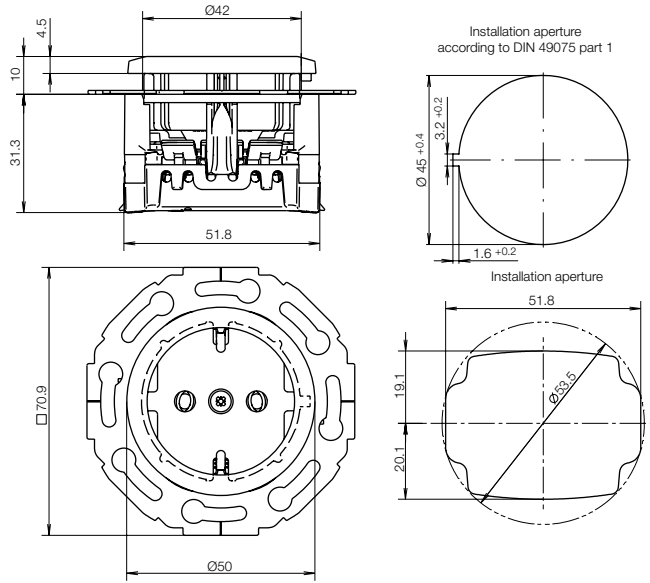


**Built-in SCHUKO socket outlet
with supporting ring, centre plate Ø 50 mm**

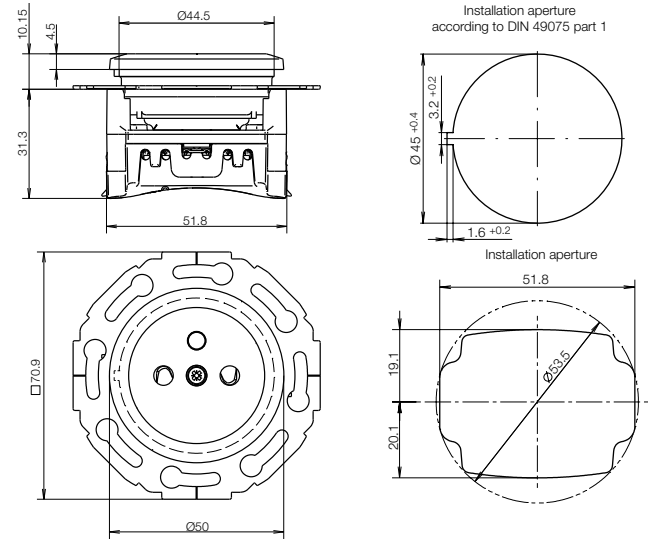
- with screw terminals



Built-in SCHUKO socket outlet with supporting ring, centre plate Ø 50 mm
- with plug-on terminals

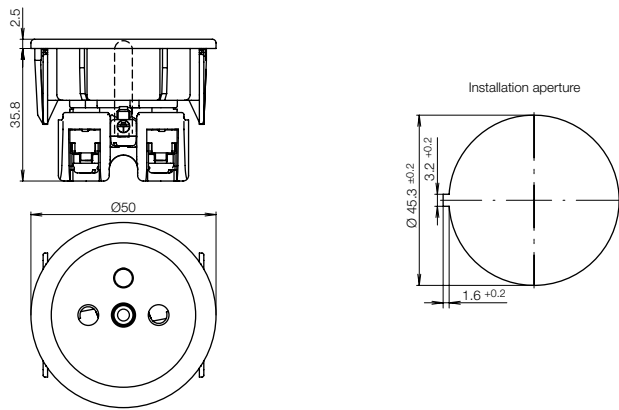


Built-in socket outlet with earthing pint and supporting ring, centre plate Ø 50 mm



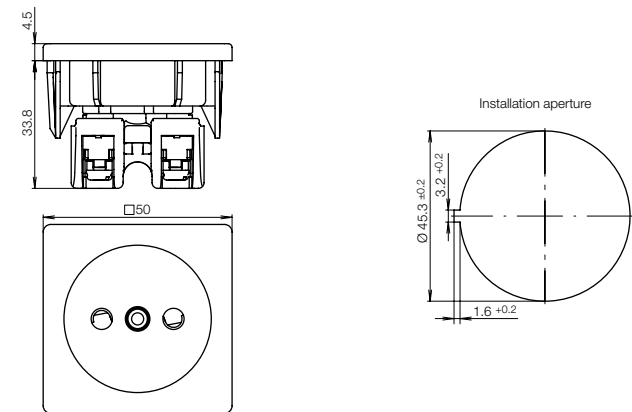
Built-in socket outlets with earthing pin

Built-in socket outlet with earthing pin and centre plate Ø 50 mm, SNAP IN
- for different built-in wall thicknesses

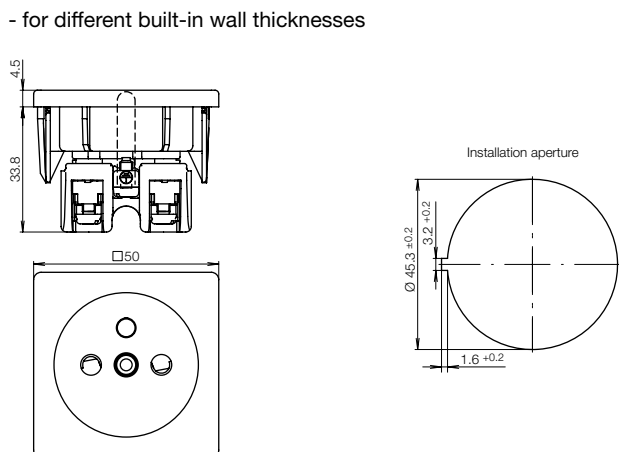


Built-in socket outlet without earthing contact

Built-in socket outlet without earthing contact, with centre plate 50 x 50 mm, SNAP IN 3 mm



Built-in socket outlet with earthing pin and centre plate 50 x 50 mm, SNAP IN
- for different built-in wall thicknesses



Test marks and administrative marks

- VDE test mark, all articles of the Berker range for which it is possible to issue the test mark, bear this mark.
- Netherlands
- Austria
- Norway
- France
- Denmark
- Italy
- Sweden
- Canada
- Belgium
- USA
- Poland
- Finland
- Switzerland
- ENEC stands for European Norms Electrical Certification. The number following the mark indicates the certifying body. Example: 10 stands for VDE
- Flame retardant according to VDE 0606 T1:1984-11, meets the requirements of the Association of Property Insurers for mounting on wood.
- All items in this catalogue which are subject to CE regulations bear the CE mark on their packaging.
- Determination of colour gradations of Deutsches Institut für Gütesicherung und Kennzeichnung e.V.

Trademark

Registered trademark of the SCHUKO-Warenzeichenverband e.V. (SCHUKO trademark association e. V.); identifies socket outlets according to DIN VDE 0620-1 and DIN 49440. The terminals are also suitable as connection terminals.

Degree of protection

- IP** (international protection) According to DIN 40050, IEC 60529, designates the degree of protection of a device against ingress of foreign bodies and moisture.
- IP44** Protection against contact of live parts with wires or similar, larger than 1 mm diameter and splash water from all directions. (contact-protected from 1 mm, splash-protected)
- Suitable for IP44, degree of protection IP44 is only available with the appropriate sealing accessories.

Application symbols

- Hollow-wall box
- AX** X = Fluorescent lamp rated current

Switching symbols

To simplify the planning by means of circuit symbols, we have additionally developed our own circuit symbols based on the standard or we have used symbols already existing on the market.

Some of the new underlying details:

- Scanning arm NO contact
- Scanning arm NC contact
- Scanning arms directed to each other corresponds to common input terminal
- Scanning arms directed away from each other corresponds to isolated input terminal
- Hinged covers

Socket outlets

- Socket outlet with earthing contact
- 2gang socket outlet with earthing contact
- Socket outlet with earthing contact and enhanced contact protection
- 2gang socket outlet with earthing contact and enhanced contact protection
- 3gang socket outlet with earthing contact and enhanced contact protection
- Socket outlet with earthing contact with hinged cover
- Socket outlet with earthing contact and hinged cover and enhanced contact protection
- Socket outlet without earthing contact
- Socket outlet without earthing contact with enhanced contact protection
- USB charging socket

Switches / Push-buttons / Dimmers

- On/off switch
- On/off switch, 2pole
- On/off switch 2pole illuminated/control switching
- Double on/off switch
- Series switch
- Change-over switch

- Change-over switch illuminated/control switching
- Intermediate switch
- Push-button, NO contact
- Push-button, NO contact illuminated/control switching
- Push-button 2 NO contacts with 1 input and 2 rockers
- Push-button 2 NO contacts with 2 separate inputs and 2 rockers
- Blind push-button
- 1 - 10 V rotary potentiometer with on/off switch

Data communications/telecommunications

- TV aerial socket
- FCC socket outlet
- HDMI socket outlet
- VGA socket outlet
- DVI socket outlet
- S-Video socket outlet
- Cinch socket outlet
- XLR socket outlet
- Jack socket
- USB and jack socket outlet
- USB socket outlet

Material characteristics

Nearly all products we supply comply with the REACH and RoHS requirements.

General notes

The technical specifications given here are not binding. The operating manual supplied with the products must be observed in all cases. Illustrations are not binding, especially with regard to colour, size, equipment, performance of products and switch and connection diagrams. We reserve the right to make technical and formal changes to our products in the interest of technical progress.

General terms and conditions

(similar to the condition recommendation of ZVEI e.V.)

1. General conditions The written declarations made by both parties are the basis for the scope of the deliveries or solutions (hereinafter referred to as deliveries). In addition, these general terms and conditions (hereinafter referred to as T&C) shall apply. The general terms and conditions of the Buyer shall only apply if the supplier or service provider (hereinafter referred to as the Supplier) has agreed to them in writing. In addition, the specifications of the Association for Electrical, Electronic and Information Technologies (VDE), shall apply, if they apply to the safety of the deliveries or services. The T&C below shall also apply to all future business with the ordering party. The Supplier shall retain the right of retention and copyright to all cost estimates, drawing and other offer-related documents (hereinafter referred to as documents) without limitation. They may not be made available to third parties without the written approval of the supplier and shall be returned immediately and on demand, if the order is not placed. This shall apply in equal measure to documents of the Buyer. However, these may be made available to third parties, to whom the Supplier wishes to transfer deliveries in the normal manner. For standard and custom software, the Buyer has the non-exclusive right to use with the agreed performance features in an unmodified form on the agreed devices. The Buyer may not permit third parties to use or access this software. Partial deliveries shall be permitted. In the case of order-dependent production, an over or underdelivery of 10% shall be permitted.

2. Securities The precondition for the obligation to deliver is the creditworthiness of the Buyer. The Supplier shall always be authorised, should they consider it necessary, to demand advance payment or security or cash payments. If the Buyer remains in arrears in respect of fulfilling their payment obligations, or if they do not answer questions regarding their credit-worthiness, the Supplier reserves the right to withdraw from the order and, if applicable, demand compensation for damages as a result of non-performance. Previously delivered goods shall then be returned to the Supplier in the original state. Furthermore, all of the Supplier's accounts receivable shall fall due immediately in the event of enforcement by writ in respect of the Buyer's assets, bankruptcy proceedings, discontinuation of business operations or transfer of a business, as well as seizure or pledging as collateral. Any considerable deterioration in financial status (e.g. enforcement by writ, discontinuation of payment, bankruptcy, discontinuation of business operations, transfer of a business, seizure or pledging as collateral or transfer of goods, inventories or outstanding accounts items as a guarantee, etc.) must be reported to the Supplier immediately.

3. Delivery periods The details in the order confirmation shall form the basis for the delivery period. Compliance with this period shall require: timely arrival of all documents, approvals, releases, self-deliveries, compliance with the Suppliers payment conditions and other obligations on the part of the Buyer. Should these preconditions not be fulfilled in time then the time shall be extended accordingly. The period shall be considered as having been met when the good has been sent for shipping or has been collected within the agreed delivery time. Should shipment be delayed for reasons which are the responsibility of the Buyer, then the period shall be considered as having been met when the readiness for shipment is signalled. Should non-compliance with the delivery period be clearly traceable back to acts of good, workplace disputes or other unforeseen obstacles, then the period shall be extended accordingly. In the event of non-compliance with the agreed or extended delivery period, the Buyer may, insofar that they provide proof that they have suffered damage as a result of the delay, demand compensation for damages resulting from the delay amounting to 1/2% for each full week of delay of the value of that part of the delivery that is delivered late, up to a total of 5%. Further claims for damages on

the part of the Buyer are excluded. This shall not apply in cases of intent or cases of gross negligence. The right of the Buyer to termination after a failed extension set by the Supplier shall be unaffected.

4. Passing of risk Even in the case of carriage paid deliveries, risk shall pass to the Buyer when the good is passed for shipment or is collected. Shipment shall take place on instruction of the Buyer or according to the reasonable discretion of the Supplier, without any responsibility for the cheapest means of shipment. The Supplier shall insure the shipment against normal transport risks, should the Buyer desire it and be willing to pay. If shipment is delayed at the desire of the Buyer or on account of reasons for which they are responsible, then risk shall be passed to the Buyer from the day of shipment readiness. In this case, the Supplier shall be obliged to obtain the insurances demanded by the Buyer at the Buyer's request and expense. If goods are returned, then the Buyer shall carry the risk until the good arrives at the Supplier's premises.

5. Right of retention The components of the delivery (reserved goods) shall remain the property of the Supplier until the fulfilment of all claims against the Buyer made during the course of the business transaction. Pledging or transfer of security prior to this is forbidden. The Buyer may only sell the reserved goods, in whatever state they may be in, to resellers as part of normal business, subject to the condition that they have not defaulted on payments to the Supplier and already transferred claims with all supplementary rights resulting from this sale to the Supplier. The assignment of these claims shall be limited to the level of all the claims available to the Supplier as a result of the business transaction. The Buyer shall also be authorised to collect these debts, even after this transfer. The ability of the Supplier to collect debts themselves shall remain unaffected. The Buyer shall inform the Supplier on request of the level and debtor of these transferred claims, provide the Supplier immediately with all the documents required for collection and to inform the debtor of the transfer in writing.

The Supplier shall process the reserved goods without obligation. If the goods are mixed or connected with other objects, then the Buyer shall immediately transfer their property rights to the new objects to the Supplier. They shall store these for the Supplier with professional diligence. Should the new objects be sold, then the Buyer shall transfer their claims and all supplementary rights from this onward sale to the Supplier. Should the Buyer process the good with other goods, which do not belong to the Supplier, then the Supplier shall be assigned co-property rights to the new object to the level of the reserved goods. Should the Buyer behave in a way which infringes the contract, particularly in the case of late payment, then the Supplier shall be authorised to retract the reserved goods. The Buyer shall be obliged to provide such goods immediately on demand by the Supplier. Retraction as well as pledging of the reserved goods by the Supplier shall not be considered as a declaration of revocation.

The Buyer shall, at their own expense, carry out all the necessary measures to prevent any limitation or loss of the rights available to the Supplier for the delivered goods. The Buyer shall prevent pledges or other interventions by third parties or shall inform the Supplier of the same immediately. Any disadvantages caused to the Buyer as a result of non-observance this obligation, shall be to their own cost.

6. Prices All prices shall be in Euros. They shall apply ex works excluding packaging plus the appropriate applicable level of statutory VAT. In the case of the completed acceptance of goods worth more than €1000, we deliver free to the goods' reception point, minus packaging, or, for a value of more than €2500, free to the goods' reception point, including packaging. Orders below €100 will incur a handling charge of €25.

7. Conditions of payment Payments shall be made within 30 days of the invoice date without any discount to the Supplier account stated. Payments within 10 days of the invoice date will be granted a discount of

2%. Payment defaults or foreign currency payments shall prevent any discounts. Cheques shall only be accepted subject to normal provisions, foreign currencies only after special agreement and when they correspond to the purchase conditions of the German Central Bank. Discount fees, fees and note taxes shall be paid by the Buyer. They shall be paid to the Supplier at negotiation of the draft. With all payments, the date of fulfillment shall be considered as the day that the Supplier possesses the full amount.

If the payment deadline is exceeded or if there is a delay in delivery at the Buyer's request by more than 30 days after the order is ready for dispatch, the Supplier shall have the right, without the need for any separate reminder, to charge interest at an annual rate of 3% over the relevant Lombard rate of the German Central Bank, starting from the due date, but at least at the relevant interest rates charged by large banks in North Rhine-Westphalia for unsecured loans. The assertion of further damages shall remain unimpaired. In addition, in the case of late payment, the Supplier shall be authorised to demand the return of the good and damages for non-fulfilment. The Buyer may only set-off claims against the Suppliers claims if their claims are self-evident and legally viable.

8. Liability for faults The Supplier guarantees that the sold goods are free of defects at the time of the passing of risk. However, should there have been faults in parts clearly obtained from the Supplier before the risk transfer, then the Supplier shall be liable to the Buyer as follows:

1. The guarantee rights below are only available to the Buyer, if they have pursued the obligation to investigate and make complaints according to § 377 of the German Commercial Code properly through written notification of the determined faults and return the faulty good to the Supplier.

2. All those parts or services shall, at the Supplier's option, be repaired or performed anew, whose usefulness is considerably impaired within 12 months, regardless of the operating time, calculated from the day of the passing of risk, provided that their use was compromised as the result of an incident prior to the passing of risk.

3. Should the Buyer complain about faults in the supplied good or service, then this shall only permit a right to withhold payment if the existence of the faults is determined in a legally-binding manner or is not denied by the Supplier. The withheld payment must be at a reasonable ratio to the faults which occurred.

4. The Buyer shall give the Supplier a reasonable period of time and opportunity according to reasonable discretion. Should they refuse to do this, then the Supplier shall be freed from liability for the faults.

5. In the event of justified, timely notice of defects the Supplier shall rectify the defect by means of supplementary performance by, at their discretion, eliminating the defect, delivering a defect free item, or granting a credit in the amount of the calculated reduced value. The Supplier shall have the right to refuse supplementary performance as provided for by law. If supplementary performance is refused, fails, or if it is unreasonable for the Buyer, then they shall have the right to withdraw.

6. The right of the Buyer to make claims against faults shall, in every case, be limited to a period of 6 months from the time of the complaint but not before the expiry of the warranty period. Should it be impossible to reach agreement within this period, then the Supplier and Buyer may agree to extend this period of limitation.

7. The liability for defects shall not apply to natural wear and tear, nor to damage occurring after the passing of risk as a result of incorrect or negligent handling, excessive or improper use, unsuitable equipment, faulty construction work and any external influences that are not provided for in the contract, as well as non-reproducible software errors. If, for one of these reasons, the Supplier is made liable by a third party as a joint and several debtor, then the Buyer shall imme-

diately assume irrevocable liability in the internal relationship. If the Buyer or a third party carry out improper or changes or repair work, then there shall be no warranty for this or any resulting consequences.

8. The warranty period shall last 3 months for defect rectification or deliveries of replacements. It shall last at least until the expiry of the warranty of the good to which the complaint applied.

9. Further claims by the Buyer against the Supplier and their assistants shall be excluded, in particular claims for the replacement of damages not incurred upon the supplied object. This shall not apply, except for statutory liability in accordance with the Product Liability Act, with the restrictions in Point 7, or in cases of intent, cases of gross negligence or the lack of promised properties.

10. Any and all liability for defects in software products is excluded. We explicitly provide no guarantee for functions, suitability, usability, non-infringement or other expected characteristics. Thus any and all liability towards the user or third parties for any damage or consequential damage caused by the software is also excluded. If in certain cases mandatory legal norms do not allow this comprehensive exclusion of liability for software, then it shall nevertheless remain in effect for all other cases.

9. Protection rights, copyright

1. Should a third party make justified claims against the Buyer regarding protection rights/copyright (hereinafter referred to as a protection rights) for the products delivered by the Supplier and used in the contractually-agreed manner, then the Supplier shall be liable to the Buyer as follows:

a) The Supplier shall choose, at their discretion, to obtain a right of use for the product, to change or replace the product, or, if that is not possible under reasonable conditions, to take back the product against a refund of the purchase price. Further claims against the Supplier shall be excluded.

b) The above obligation of the Supplier shall only apply if the Buyer informs the Supplier immediately and in writing of the claims made by the third party, does not recognise an infringement of the protection rights and permits the Supplier to carry out all defensive measures and comparative negotiations.

2. Claims by the Buyer are excluded if they are responsible for the infringement of protection rights, or are caused by the special requirements of the Buyer or unforeseen application or combinations with other products.

10. Impossibility, contractual adjustment

1. If it is impossible for the Supplier to provide the due delivery for a reason for which they are responsible, then the Buyer shall be authorised to demand damages of up to 10% of the value of the undelivered product.

2. Insofar as events beyond the Supplier's control considerably change the economic significance or the contents of the delivery or affect the Supplier's business, the Supplier shall have the right to withdraw from the contract or to adjust the contract in agreement with the Buyer.

11. Other claims for damages Claims for damages by the Buyer on the grounds of violation of pre-contractual or contractual obligations and on unlawful acts are excluded. This shall not apply if statutory liability applies, in particular in the case of intent, gross negligence or the lack of promised properties.

12. Place of jurisdiction The sole place of jurisdiction for any disputes arising directly or indirectly from the contractual relationship shall be Hagen i.W. The law of the Federal Republic of Germany shall apply to contractual relationships. The Hague Convention of 1.7.1964 and the UN Agreement of 11.4.1980 shall not apply.

13. Validity of the contract The contract shall remain binding even if individual points are invalid.

Product summary

Order no.	Page	Order no.	Page	Order no.	Page	Order no.	Page
1813	66	4604	65	8 1971 25 17	66	8 4185 25 05	23
1813 05	66	4637	66	8 1972 25 01	66	8 4185 25 06	23
1813 09	66	4788 16	148	8 1972 25 05	66	8 4185 25 21	24
1948 02	121	4788 19	148	8 1973 25 01	66	8 4185 25 22	24
1948 08	123	4788 26	146	8 1973 25 05	66	8 4185 25 25	24
1948 12	124	4788 29	146	8 1974 25 01	67	8 4185 25 26	24
1948 13	124	4788 36	148	8 1974 25 03	67	8 4188 55	146
1948 14	125	4788 69	147	8 1974 25 05	67	8 4195 05	23
1948 16	126	4880 69	150	8 1974 25 06	67	8 4195 25 01	23
1948 17	124	6141 93 09	152	8 1974 25 68	67	8 4195 25 02	23
1948 18	121	6741 28 09	151	8 1977 25 02	76	8 4195 25 05	23
1948 19	122	6741 91 05	151	8 1977 25 03	76	8 4195 25 06	23
1948 20	125	6741 92 09	151	8 1977 25 04	76	8 4196 05	108
1948 21	121	6741 94 05	150	8 1977 25 05	76	8 4196 09	108
1948 22	125	6741 94 09	150	8 1977 25 06	76	8 4296 15	144
1948 23	122	6763 79 10	152	8 1977 25 76	76	8 4296 34	144
1948 24	126	7 4296 35	144	8 2602 25 01	48	8 4296 36	144
1948 25	122	8 1152 25 59	80	8 2602 25 03	48	8 4296 39	144
1948 26	126	8 1152 25 69	80	8 2602 25 05	48	8 4296 46	147
1948 27	124	8 1152 59	92	8 2602 25 07	48	8 4516 25 01	65
1948 28	123	8 1726 25 81 *	28	8 2602 25 09	48	8 4516 25 05	65
1948 29	123	8 1819 25 15	75	8 2603 25 01 *	47	8 4516 25 07	65
1948 30	121	8 1826 07	88	8 2603 25 03 *	47	8 4516 25 09	65
1948 93	127	8 1826 11	88	8 2603 25 05 *	47	8 4516 25 68	65
1948 94	127	8 1826 15	88	8 2603 25 07 *	47	8 4517 25 01	45
1948 96	127	8 1826 25 07	74	8 2603 25 09 *	47	8 4517 25 05	45
1948 98	127	8 1826 25 11	74	8 3651 05	54	8 4517 25 07	45
1948 99	127	8 1826 25 15	74	8 3651 09	54	8 4517 25 09	45
1979 00 09	136	8 1826 25 19	74	8 3651 25 01	54	8 4519 25 02	49
1979 00 58	136	8 1826 25 76	74	8 3651 25 05	54	8 4519 25 05	49
1979 01 09	136	8 1827 01	88	8 3651 25 07	54	8 4558 25 05	53
1979 01 58	136	8 1827 05	88	8 3651 25 09	54	8 4558 25 07	53
1979 10 09	137	8 1827 07	88	8 3652 25 09	56	8 4558 25 09	53
1979 10 58	137	8 1827 09	88	8 3655 25 01	57	8 4558 25 10	53
1979 11 09	136	8 1827 25 01	74	8 3655 25 05	57	8 4563 25 03	49
1979 11 58	136	8 1827 25 05	74	8 3655 25 07	57	8 4563 25 06	49
1980	53	8 1827 25 07	74	8 3655 25 09	57	8 4571 25 01	45
1984	53	8 1827 25 09	74	8 3656 09	55	8 4571 25 03	45
1985	53	8 1828 01	89	8 3656 25 05	55	8 4571 25 05	45
1989	51	8 1828 05	89	8 3656 25 07	55	8 4571 25 07	45
1990	51	8 1828 07	89	8 3656 25 09	55	8 4571 25 09	45
1992	51	8 1828 09	89	8 3664 25 01	58	8 4572 25 01	46
1993	51	8 1828 25 01	76	8 3664 25 05	58	8 4572 25 02	46
1994	51	8 1828 25 05	76	8 3664 25 10	58	8 4572 25 03	46
4175 08	147	8 1828 25 07	76	8 3664 25 18	58	8 4572 25 05	46
4175 09	147	8 1828 25 09	76	8 3664 25 28	58	8 4580 25 01	50
4176 09 *	148	8 1828 25 95	77	8 3664 25 45	58	8 4580 25 03	50
4177 08	149	8 1828 25 97	77	8 3664 25 68	58	8 4580 25 05	50
4180 31	149	8 1828 25 99	77	8 3671 09	58	8 4580 25 07	50
4180 32	149	8 1828 75	90	8 3671 25 05	58	8 4580 25 09	50
4180 37	149	8 1828 95	89	8 3671 25 07	58	8 4582 25 01	50
4180 69	150	8 1828 97	89	8 3681 05	109	8 4582 25 02	50
4181 02	145	8 1828 99	89	8 3681 09	109	8 4582 25 03	50
4181 09	145	8 1836	64	8 3695 25 24	61	8 4582 25 05	50
4183 02	145	8 1836 01	64	8 3697 25 78	62	8 4582 25 06	50
4183 05	145	8 1836 02	64	8 3699 25 05	60	8 4583 25 01	50
4188 02	148	8 1837	64	8 3752 05	56	8 4583 25 02	50
4188 05	148	8 1837 01	64	8 3752 25 05	56	8 4583 25 03	50
4188 06	148	8 1853	78	8 3752 25 18	56	8 4583 25 05	50
4188 08	148	8 1853 01 *	79	8 4104 25 06	31	8 4583 25 06	50
4188 09	148	8 1915 01	63	8 4121 86	146	8 4731 25 06	30
4188 58	146	8 1915 02	63	8 4121 90	146	8 4733 25 05	29
4189 02	145	8 1970 25 02	75	8 4121 97	146	8 4733 25 06	29
4189 05	145	8 1970 25 03	75	8 4130 06	145	8 4778 25 01	22
4189 06	145	8 1970 25 04	75	8 4140 25 06	31	8 4778 25 02	22
4189 08	145	8 1970 25 05	75	8 4185 05	23	8 4778 25 05	22
4189 09	145	8 1970 25 06	75	8 4185 25	24	8 4778 25 06	22
4190 05	149	8 1970 25 76	75	8 4185 25 01	23	8 4779 25 01	22
4190 09	149	8 1971 25 05	66	8 4185 25 02	23	8 4779 25 02	22

Order no.	Page	Order no.	Page	Order no.	Page	Order no.	Page
8 4779 25 05	22	8 4821 25 03	★ 33	8 4860 25 08	★ 35	8 6185 25 05	41
8 4779 25 06	22	8 4821 25 04	★ 33	8 4860 25 12	★ 36	8 6195 05	41
8 4787 25 06	29	8 4821 25 05	★ 33	8 4860 25 13	★ 36	8 6195 25 02	41
8 4788 25 06	30	8 4821 25 06	★ 33	8 4860 25 14	★ 36	8 6195 25 05	41
8 4800 25 02	★ 24	8 4821 25 07	★ 33	8 4860 25 15	★ 36	8 6195 25 06	41
8 4800 25 03	★ 24	8 4821 25 08	★ 33	8 4860 25 17	★ 36	8 6249 05	40
8 4800 25 04	★ 24	8 4821 25 12	★ 34	8 4861 25 02	★ 36	8 6249 25 01	40
8 4800 25 05	★ 24	8 4821 25 13	★ 34	8 4861 25 03	★ 36	8 6249 25 02	40
8 4800 25 06	★ 24	8 4821 25 14	★ 34	8 4861 25 04	★ 36	8 6249 25 05	40
8 4800 25 07	★ 24	8 4821 25 15	★ 34	8 4861 25 05	★ 36	8 6254 25 01	38
8 4800 25 08	★ 24	8 4821 25 17	★ 34	8 4861 25 06	★ 36	8 6254 25 05	38
8 4800 25 12	★ 25	8 4830 25 02	★ 33	8 4861 25 07	★ 36	8 6254 25 07	38
8 4800 25 13	★ 25	8 4830 25 03	★ 33	8 4861 25 08	★ 36	8 6254 25 09	38
8 4800 25 14	★ 25	8 4830 25 04	★ 33	8 4861 25 12	★ 37	8 6254 25 10	38
8 4800 25 15	★ 25	8 4830 25 05	★ 33	8 4861 25 13	★ 37	8 6257 25 02	44
8 4800 25 16	★ 25	8 4830 25 06	★ 33	8 4861 25 14	★ 37	8 6257 25 05	44
8 4800 25 17	★ 25	8 4830 25 07	★ 33	8 4861 25 15	★ 37	8 6262 05	40
8 4800 25 18	★ 25	8 4830 25 08	★ 33	8 4861 25 17	★ 37	8 6262 25 02	40
8 4801 25 02	★ 25	8 4830 25 12	★ 34	8 4870 25 02	★ 35	8 6262 25 05	40
8 4801 25 03	★ 25	8 4830 25 13	★ 34	8 4870 25 03	★ 35	8 6262 25 06	40
8 4801 25 04	★ 25	8 4830 25 14	★ 34	8 4870 25 04	★ 35	8 6263 25 01	38
8 4801 25 05	★ 25	8 4830 25 15	★ 34	8 4870 25 05	★ 35	8 6263 25 02	38
8 4801 25 06	★ 25	8 4830 25 17	★ 34	8 4870 25 06	★ 35	8 6263 25 13	38
8 4801 25 07	★ 25	8 4831 25 02	★ 33	8 4870 25 07	★ 35	8 6272 05	39
8 4801 25 08	★ 25	8 4831 25 03	★ 33	8 4870 25 08	★ 35	8 6301 25 02	★ 42
8 4801 25 12	★ 26	8 4831 25 04	★ 33	8 4870 25 12	★ 37	8 6301 25 03	★ 42
8 4801 25 13	★ 26	8 4831 25 05	★ 33	8 4870 25 13	★ 37	8 6301 25 04	★ 42
8 4801 25 14	★ 26	8 4831 25 06	★ 33	8 4870 25 14	★ 37	8 6301 25 05	★ 42
8 4801 25 15	★ 26	8 4831 25 07	★ 33	8 4870 25 15	★ 37	8 6301 25 07	★ 42
8 4801 25 16	★ 26	8 4831 25 08	★ 33	8 4870 25 17	★ 37	8 6301 25 12	★ 42
8 4801 25 17	★ 26	8 4831 25 12	★ 35	8 4871 25 02	★ 36	8 6301 25 13	★ 42
8 4801 25 18	★ 26	8 4831 25 13	★ 35	8 4871 25 03	★ 36	8 6301 25 14	★ 42
8 4810 25 02	★ 32	8 4831 25 14	★ 35	8 4871 25 04	★ 36	8 6301 25 15	★ 42
8 4810 25 03	★ 32	8 4831 25 15	★ 35	8 4871 25 05	★ 36	8 6301 25 16	★ 42
8 4810 25 04	★ 32	8 4831 25 17	★ 35	8 4871 25 06	★ 36	8 6301 25 17	★ 42
8 4810 25 05	★ 32	8 4850 25 02	★ 26	8 4871 25 07	★ 36	8 6301 25 18	★ 42
8 4810 25 06	★ 32	8 4850 25 03	★ 26	8 4871 25 08	★ 36	8 6351 25 02	★ 43
8 4810 25 07	★ 32	8 4850 25 04	★ 26	8 4871 25 12	★ 37	8 6351 25 03	★ 43
8 4810 25 08	★ 32	8 4850 25 05	★ 26	8 4871 25 13	★ 37	8 6351 25 04	★ 43
8 4810 25 12	★ 34	8 4850 25 06	★ 26	8 4871 25 14	★ 37	8 6351 25 05	★ 43
8 4810 25 13	★ 34	8 4850 25 07	★ 26	8 4871 25 15	★ 37	8 6351 25 07	★ 43
8 4810 25 14	★ 34	8 4850 25 08	★ 26	8 4871 25 17	★ 37	8 6351 25 12	★ 43
8 4810 25 15	★ 34	8 4850 25 12	★ 27	8 4880 25 02	★ 35	8 6351 25 13	★ 43
8 4810 25 17	★ 34	8 4850 25 13	★ 27	8 4880 25 03	★ 35	8 6351 25 14	★ 43
8 4811 25 02	★ 33	8 4850 25 14	★ 27	8 4880 25 04	★ 35	8 6351 25 15	★ 43
8 4811 25 03	★ 33	8 4850 25 15	★ 27	8 4880 25 05	★ 35	8 6351 25 16	★ 43
8 4811 25 04	★ 33	8 4850 25 16	★ 27	8 4880 25 06	★ 35	8 6351 25 17	★ 43
8 4811 25 05	★ 33	8 4850 25 17	★ 27	8 4880 25 07	★ 35	8 6351 25 18	★ 43
8 4811 25 06	★ 33	8 4850 25 18	★ 27	8 4880 25 08	★ 35	9 1151 01	91
8 4811 25 07	★ 33	8 4851 25 02	★ 27	8 4880 25 12	★ 37	9 1151 05	91
8 4811 25 08	★ 33	8 4851 25 03	★ 27	8 4880 25 13	★ 37	9 1151 07	91
8 4811 25 12	★ 34	8 4851 25 04	★ 27	8 4880 25 14	★ 37	9 1151 09	91
8 4811 25 13	★ 34	8 4851 25 05	★ 27	8 4880 25 15	★ 37	9 1151 25 01	79
8 4811 25 14	★ 34	8 4851 25 06	★ 27	8 4880 25 17	★ 37	9 1151 25 05	79
8 4811 25 15	★ 34	8 4851 25 07	★ 27	8 4881 25 02	★ 36	9 1151 25 07	79
8 4811 25 17	★ 34	8 4851 25 08	★ 27	8 4881 25 03	★ 36	9 1151 25 09	79
8 4820 25 02	★ 32	8 4851 25 12	★ 28	8 4881 25 04	★ 36	9 1151 25 10	79
8 4820 25 03	★ 32	8 4851 25 13	★ 28	8 4881 25 05	★ 36	9 1151 25 11	79
8 4820 25 04	★ 32	8 4851 25 14	★ 28	8 4881 25 06	★ 36	9 1151 25 15	79
8 4820 25 05	★ 32	8 4851 25 15	★ 28	8 4881 25 07	★ 36	9 1151 25 17	79
8 4820 25 06	★ 32	8 4851 25 16	★ 28	8 4881 25 08	★ 36	9 1151 25 19	79
8 4820 25 07	★ 32	8 4851 25 17	★ 28	8 4881 25 12	★ 37	9 1151 25 20	79
8 4820 25 08	★ 32	8 4851 25 18	★ 28	8 4881 25 13	★ 37	9 1152 21	92
8 4820 25 12	★ 34	8 4860 25 02	★ 35	8 4881 25 14	★ 37	9 1152 25	92
8 4820 25 13	★ 34	8 4860 25 03	★ 35	8 4881 25 15	★ 37	9 1152 25 25	80
8 4820 25 14	★ 34	8 4860 25 04	★ 35	8 4881 25 17	★ 37	9 1152 25 29	80
8 4820 25 15	★ 34	8 4860 25 05	★ 35	8 6185 05	41	9 1152 25 55	80
8 4820 25 17	★ 34	8 4860 25 06	★ 35	8 6185 25 01	41	9 1152 25 59	80
8 4821 25 02	★ 33	8 4860 25 07	★ 35	8 6185 25 02	41	9 1152 25 65	80

Order no.	Page	Order no.	Page	Order no.	Page	Order no.	Page
9 1152 25 69	80	9 1827 01	88	9 1828 90	89	9 1976 25 28	100
9 1152 27	92	9 1827 04	88	9 1828 91	89	9 1976 25 45	100
9 1152 29	92	9 1827 05	88	9 1828 94	89	9 1978 25 09	100
9 1152 55	92	9 1827 07	88	9 1828 95	89	9 1978 25 10	100
9 1152 59	92	9 1827 09	88	9 1828 97	89	9 1978 25 18	100
9 1152 65	92	9 1827 10	88	9 1828 99	89	9 1978 25 24	100
9 1152 69	92	9 1827 18	88	9 1844	65	9 1978 25 28	100
9 1726 25 81	★ 28	9 1827 25 01	74	9 1845 02	65	9 1978 25 45	100
9 1803 25 05	75	9 1827 25 05	74	9 1845 03	65	9 1987 25 02	75
9 1803 25 07	75	9 1827 25 07	74	9 1853	78	9 1987 25 03	75
9 1803 25 09	75	9 1827 25 09	74	9 1853 01	★ 79	9 1987 25 04	75
9 1803 25 68	75	9 1827 25 10	74	9 1883	63	9 1987 25 05	75
9 1803 25 76	75	9 1827 25 18	74	9 1883 20	63	9 1987 25 06	75
9 1803 25 90	75	9 1827 25 24	74	9 1887	63	9 1987 25 76	75
9 1803 25 94	75	9 1827 25 28	74	9 1887 01	63	9 1988 25 02	76
9 1819 07	88	9 1827 25 38	74	9 1911	64	9 1988 25 03	76
9 1819 11	88	9 1827 25 58	74	9 1911 01	64	9 1988 25 04	76
9 1819 15	88	9 1827 25 68	77	9 1911 02	64	9 1988 25 05	76
9 1819 19	88	9 1827 25 70	74	9 1912	64	9 1988 25 06	76
9 1819 25 07	75	9 1827 25 74	74	9 1912 01	64	9 1988 25 76	76
9 1819 25 10	75	9 1827 25 76	74	9 1915 01	63	9 2602 25 01	48
9 1819 25 11	75	9 1827 25 91	77	9 1915 02	63	9 2602 25 03	48
9 1819 25 15	75	9 1827 25 95	77	9 1933	64	9 2602 25 05	48
9 1819 25 18	75	9 1827 25 97	77	9 1936	111	9 2602 25 07	48
9 1819 25 19	75	9 1827 25 99	77	9 1941 05	110	9 2602 25 09	48
9 1819 25 24	75	9 1827 28	88	9 1941 09	110	9 2603 25 01	★ 47
9 1819 25 68	75	9 1827 38	88	9 1941 18	110	9 2603 25 03	★ 47
9 1819 25 70	75	9 1827 45	88	9 1941 28	110	9 2603 25 05	★ 47
9 1819 25 74	75	9 1827 86	88	9 1942 05	110	9 2603 25 07	★ 47
9 1819 25 76	75	9 1827 87	88	9 1942 09	110	9 2603 25 09	★ 47
9 1819 45	88	9 1827 88	88	9 1942 18	110	9 2610 25 05	★ 47
9 1820	63	9 1827 91	89	9 1942 28	110	9 2610 25 09	★ 47
9 1820 01	63	9 1827 95	89	9 1943 05	110	9 2891 25 01	62
9 1820 02	63	9 1827 97	89	9 1943 09	110	9 2891 25 05	62
9 1820 03	63	9 1827 99	89	9 1943 18	110	9 2891 25 06	62
9 1820 20	63	9 1828 01	89	9 1944 05	111	9 2891 25 09	62
9 1825 06	92	9 1828 05	89	9 1944 09	111	9 3651 01	54
9 1825 11	92	9 1828 07	89	9 1969 05	111	9 3651 05	54
9 1825 12	92	9 1828 09	89	9 1969 06	111	9 3651 07	54
9 1825 15	92	9 1828 18	89	9 1969 07	111	9 3651 09	54
9 1825 25 06	80	9 1828 25 01	76	9 1969 09	111	9 3651 18	54
9 1825 25 10	80	9 1828 25 05	76	9 1969 18	111	9 3651 25 01	54
9 1825 25 11	80	9 1828 25 07	76	9 1971 25 01	66	9 3651 25 05	54
9 1825 25 12	80	9 1828 25 09	76	9 1971 25 05	66	9 3651 25 07	54
9 1825 25 15	80	9 1828 25 10	76	9 1971 25 07	66	9 3651 25 09	54
9 1825 25 24	80	9 1828 25 18	76	9 1971 25 09	66	9 3651 25 10	54
9 1825 25 68	80	9 1828 25 24	76	9 1971 25 10	66	9 3651 25 18	54
9 1826 07	88	9 1828 25 28	76	9 1971 25 17	66	9 3651 25 24	54
9 1826 11	88	9 1828 25 38	76	9 1971 25 24	66	9 3651 25 28	54
9 1826 14	88	9 1828 25 45	100	9 1971 25 68	66	9 3651 25 45	54
9 1826 15	88	9 1828 25 68	77	9 1972 25 01	66	9 3651 25 68	54
9 1826 18	88	9 1828 25 70	76	9 1972 25 05	66	9 3651 28	54
9 1826 19	88	9 1828 25 74	76	9 1972 25 68	66	9 3651 38	54
9 1826 25 07	74	9 1828 25 76	76	9 1973 25 01	66	9 3651 45	54
9 1826 25 10	74	9 1828 25 78	76	9 1973 25 05	66	9 3652 01	56
9 1826 25 11	74	9 1828 25 86	77	9 1973 25 68	66	9 3652 05	56
9 1826 25 15	74	9 1828 25 90	77	9 1974 25 01	67	9 3652 07	56
9 1826 25 18	74	9 1828 25 91	77	9 1974 25 05	67	9 3652 09	56
9 1826 25 19	74	9 1828 25 94	77	9 1974 25 68	67	9 3652 25 01	56
9 1826 25 24	74	9 1828 25 95	77	9 1975 25 09	100	9 3652 25 05	56
9 1826 25 28	74	9 1828 25 97	77	9 1975 25 10	100	9 3652 25 07	56
9 1826 25 38	74	9 1828 25 99	77	9 1975 25 18	100	9 3652 25 09	56
9 1826 25 58	74	9 1828 28	89	9 1975 25 24	100	9 3652 25 10	56
9 1826 25 70	74	9 1828 45	89	9 1975 25 28	100	9 3652 25 18	56
9 1826 25 74	74	9 1828 71	90	9 1975 25 45	100	9 3652 25 24	56
9 1826 25 76	74	9 1828 75	90	9 1976 25 09	100	9 3652 25 28	56
9 1826 28	88	9 1828 77	90	9 1976 25 10	100	9 3652 25 45	56
9 1826 38	88	9 1828 79	90	9 1976 25 18	100	9 3652 25 68	56
9 1826 45	88	9 1828 86	89	9 1976 25 24	100	9 3652 28	56

Order no.	Page	Order no.	Page	Order no.	Page	Order no.	Page
9 3652 45	56	9 3671 25 10	58	9 3762 25 24	57	9 4560 25 01	49
9 3653 05	60	9 3671 25 18	58	9 3762 25 31	57	9 4560 25 02	49
9 3653 07	60	9 3671 25 24	58	9 3762 25 35	57	9 4560 25 05	49
9 3653 09	60	9 3671 25 28	58	9 3762 25 39	57	9 4560 25 06	49
9 3653 25 01	60	9 3671 25 45	58	9 3762 25 68	57	9 4561 25 02	49
9 3653 25 05	60	9 3671 25 68	58	9 3772 25 01	59	9 4562 25 05	48
9 3653 25 07	60	9 3671 28	58	9 3772 25 05	59	9 4570 25 05	45
9 3653 25 08	60	9 3675 01	59	9 3772 25 07	59	9 4570 25 15	46
9 3653 25 09	60	9 3675 05	59	9 3772 25 09	59	9 4571 25 01	45
9 3653 25 10	60	9 3675 07	59	9 4185 05	23	9 4571 25 05	45
9 3653 25 18	60	9 3675 09	59	9 4185 25	24	9 4571 25 07	45
9 3653 25 24	60	9 3675 25 01	59	9 4185 25 01	23	9 4571 25 09	45
9 3653 25 45	60	9 3675 25 05	59	9 4185 25 02	23	9 4572 25 01	46
9 3653 25 68	60	9 3675 25 07	59	9 4185 25 05	23	9 4572 25 02	46
9 3655 01	57	9 3675 25 08	59	9 4185 25 06	23	9 4572 25 03	46
9 3655 05	57	9 3675 25 09	59	9 4195 05	23	9 4572 25 05	46
9 3655 07	57	9 3675 25 10	59	9 4195 25 01	23	9 4573 25 02	46
9 3655 09	57	9 3675 25 18	59	9 4195 25 02	23	9 4573 25 05	46
9 3655 18	57	9 3675 25 24	59	9 4195 25 05	23	9 4574 25 02	46
9 3655 25 01	57	9 3675 25 45	59	9 4195 25 06	23	9 4574 25 05	46
9 3655 25 05	57	9 3675 25 68	59	9 4196 05	108	9 4581 25 01	48
9 3655 25 07	57	9 3681 05	109	9 4196 09	108	9 4581 25 02	48
9 3655 25 09	57	9 3681 09	109	9 4197 05	108	9 4581 25 03	48
9 3655 25 10	57	9 3681 18	109	9 4197 09	108	9 4581 25 05	48
9 3655 25 18	57	9 3681 68	109	9 4197 28	108	9 4581 25 06	48
9 3655 25 24	57	9 3682 05	110	9 4198 05	108	9 4582 25 01	50
9 3655 25 28	57	9 3682 09	110	9 4198 09	108	9 4582 25 02	50
9 3655 25 38	57	9 3686 05	110	9 4199 05	108	9 4582 25 03	50
9 3655 25 45	57	9 3686 09	110	9 4199 09	108	9 4582 25 05	50
9 3655 25 68	57	9 3686 18	110	9 4199 18	108	9 4582 25 06	50
9 3655 28	57	9 3686 28	110	9 4199 28	108	9 4583 25 01	50
9 3655 38	57	9 3695 25 01	61	9 4296 03	144	9 4583 25 02	50
9 3656 01	55	9 3695 25 05	61	9 4296 05	144	9 4583 25 03	50
9 3656 05	55	9 3695 25 07	61	9 4296 06	144	9 4583 25 05	50
9 3656 07	55	9 3695 25 09	61	9 4296 19	144	9 4583 25 06	50
9 3656 09	55	9 3695 25 10	61	9 4509 05	62	9 4713 25 02	30
9 3656 18	55	9 3695 25 18	61	9 4509 25 02	62	9 4713 25 03	30
9 3656 25 01	55	9 3695 25 28	61	9 4509 25 05	62	9 4713 25 04	30
9 3656 25 05	55	9 3695 25 68	61	9 4511 15	48	9 4713 25 05	30
9 3656 25 07	55	9 3696 25 05	61	9 4511 25 11	48	9 4713 25 06	30
9 3656 25 09	55	9 3696 25 18	61	9 4511 25 12	48	9 4713 25 07	30
9 3656 25 10	55	9 3696 25 28	61	9 4511 25 15	48	9 4778 25 01	22
9 3656 25 18	55	9 3696 25 68	61	9 4516 05	65	9 4778 25 02	22
9 3656 25 24	55	9 3697 25 05	61	9 4516 25 01	65	9 4778 25 03	22
9 3656 25 28	55	9 3697 25 10	61	9 4516 25 05	65	9 4778 25 05	22
9 3656 25 38	55	9 3697 25 18	60	9 4516 25 07	65	9 4778 25 06	22
9 3656 25 45	55	9 3697 25 38	61	9 4516 25 09	65	9 4779 25 01	22
9 3656 25 68	55	9 3699 25 01	60	9 4516 25 10	65	9 4779 25 02	22
9 3656 28	55	9 3699 25 05	60	9 4516 25 24	65	9 4779 25 03	22
9 3656 45	55	9 3699 25 07	60	9 4516 25 45	65	9 4779 25 05	22
9 3657 01	55	9 3699 25 09	60	9 4517 05	45	9 4779 25 06	22
9 3657 09	55	9 3699 25 10	60	9 4517 25 01	45	9 6185 05	41
9 3657 25 01	55	9 3699 25 28	60	9 4517 25 05	45	9 6185 25 01	41
9 3657 25 05	55	9 3699 25 68	60	9 4517 25 07	45	9 6185 25 02	41
9 3657 25 07	55	9 3699 25 75	61	9 4517 25 09	45	9 6185 25 05	41
9 3657 25 09	55	9 3699 25 78	61	9 4519 05	49	9 6185 25 06	41
9 3657 25 10	55	9 3752 01	56	9 4519 25 01	49	9 6194 05	44
9 3657 25 24	55	9 3752 05	56	9 4519 25 02	49	9 6194 25 02	44
9 3657 25 28	55	9 3752 07	56	9 4519 25 05	49	9 6194 25 05	44
9 3657 25 68	55	9 3752 09	56	9 4519 25 06	49	9 6194 25 06	44
9 3665 25 18	59	9 3752 25 01	56	9 4557 05	52	9 6195 05	41
9 3671 05	58	9 3752 25 05	56	9 4557 25 05	52	9 6195 25 01	41
9 3671 07	58	9 3752 25 07	56	9 4557 25 07	52	9 6195 25 02	41
9 3671 09	58	9 3752 25 09	56	9 4557 25 09	52	9 6195 25 05	41
9 3671 18	58	9 3752 25 10	56	9 4559 05	52	9 6195 25 06	41
9 3671 25 01	58	9 3752 25 24	56	9 4559 25 05	52	9 6198 05	109
9 3671 25 05	58	9 3752 25 68	56	9 4559 25 07	52	9 6198 09	109
9 3671 25 07	58	9 3762 25 10	57	9 4559 25 09	52	9 6199 05	109
9 3671 25 09	58	9 3762 25 18	57	9 4560 05	49	9 6199 18	109

Product summary

Order no.	Page	Order no.	Page
9 6199 28	109	WS121	161
9 6249 05	40	WS121E	161
9 6249 25 01	40	WS121N	161
9 6249 25 02	40	WS121V	161
9 6249 25 05	40	WS122	162
9 6249 25 06	40	WS122E	162
9 6251 25 02	39	WS122N	162
9 6251 25 03	39	WS122V	162
9 6251 25 05	39	WS123	162
9 6254 25 01	38	WS123E	162
9 6254 25 07	38	WS123N	162
9 6254 25 09	38	WS123R	162
9 6254 25 10	38	WS123V	162
9 6256 05	39	WS160	160
9 6256 25 01	39	WS160E	160
9 6256 25 02	39	WS160N	160
9 6256 25 05	39	WS160V	160
9 6256 25 06	39	WS162	160
9 6257 25 01	44	WS172	160
9 6257 25 02	44	WS172E	160
9 6257 25 03	44	WS172N	160
9 6257 25 05	44	WS172V	160
9 6257 25 06	44	WS173	161
9 6258 05	38	WS173E	161
9 6258 25 01	38	WS173N	161
9 6258 25 02	38	WS173V	161
9 6258 25 05	38	WS185	160
9 6258 25 06	38	WS186	161
9 6259 25 01	40	WS225	168
9 6259 25 02	40	WS226	168
9 6259 25 03	40	WS260	165
9 6259 25 05	40	WS261	167
9 6259 25 06	40	WS262	166
9 6262 05	40	WS263	167
9 6262 25 01	40	WS264	166
9 6262 25 02	40	WS265	167
9 6262 25 05	40	WS266	165
9 6262 25 06	40	WS267	165
9 6263 25 01	38	WS274	166
9 6263 25 02	38	WS275	166
9 6263 25 13	38	WS276	166
9 6272 05	39	WS278	165
9 6272 25 02	39	WS279	167
9 6272 25 05	39	WS688	163
9 6272 25 06	39	WS689	163
OLFR1501509010BE1	191	WS697	163
OLFR1501509010BE2	191		
OLFR1501509011BE1	191		
OLFR2002009010BE1	191		
OLFR2002009010BE2	191		
OLFR2002009011BE1	191		
OLFR2003509010BE1	191		
OLFR2003509010BE2	191		
OLFR2003509011BE1	191		
OLFR701209010BE1	191		
OLFR701209010BE2	191		
OLFR701209011BE1	191		
WS001	163		
WS002	164		
WS006	164		
WS032	164		
WS100	161		
WS100E	161		
WS100N	161		
WS100V	161		
WS105	163		
WS106	162		
WS110	164		
WS120	163		

B. **Berker** Business Solutions

Berker GmbH & Co. KG
Klagebach 38
58579 Schalksmühle
Germany

Telephone: + 49 (0)23 55 9 05-3211
Fax: + 49 (0)23 55 9 05-3116
vi.info@berker.de

berker-business-solutions.de